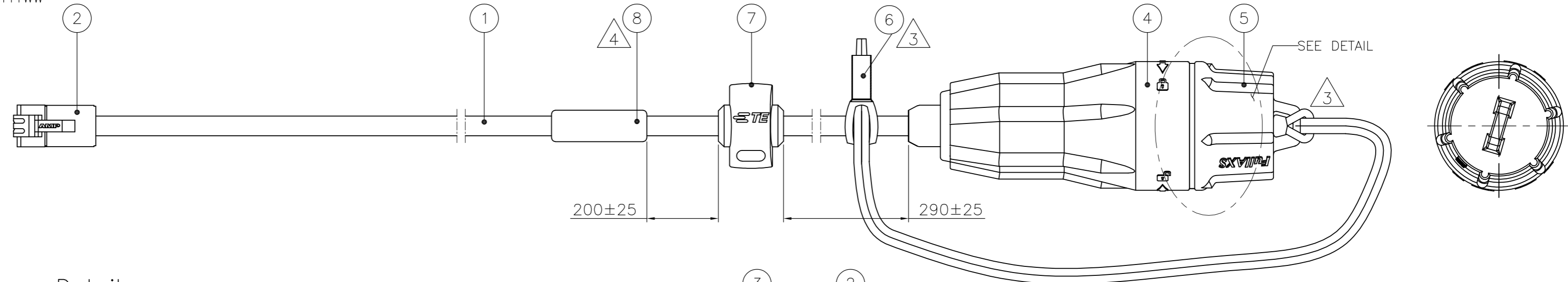


THIS DRAWING IS UNPUBLISHED. RELEASED FOR PUBLICATION  
 © COPYRIGHT - Te Connectivity, Netherlands ALL RIGHTS RESERVED.

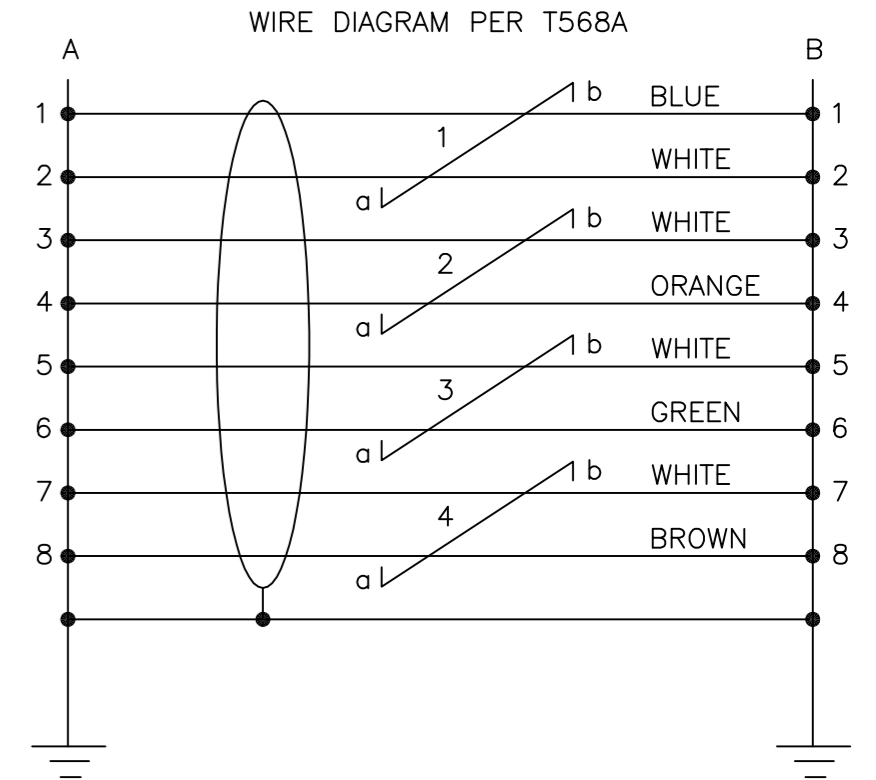
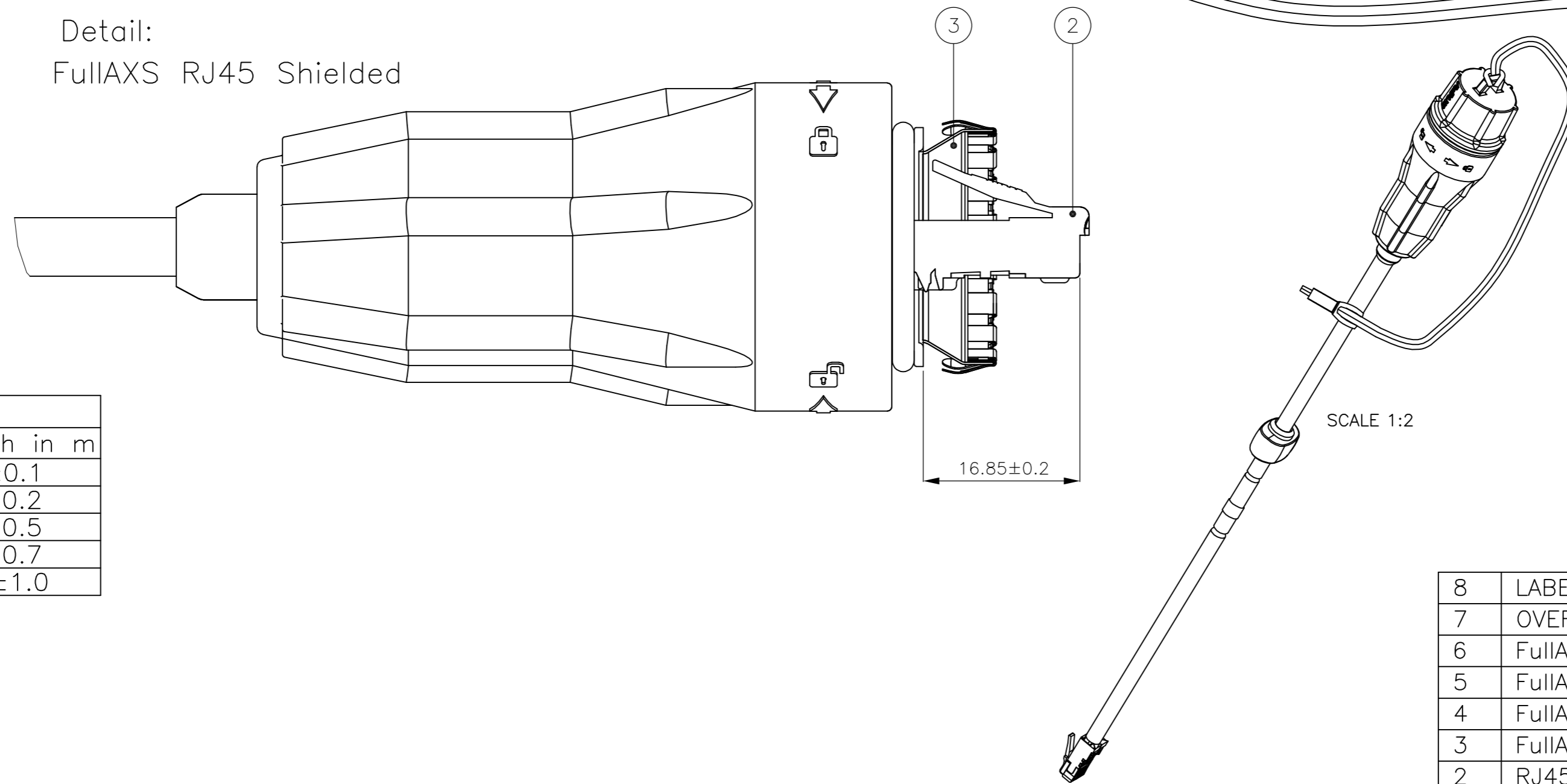
LOC	DIST	REVISIONS			
P	LTR	DESCRIPTION	DATE	DWN	APVD
	D	ECR-17-002734	01FEB17	JW	HZ
	C	ECR-14-008927	01JUL14	RC	WM

NOTES:

- 1 PRODUCT NAME: FULLAXS SIGNAL CABLE
- 2 PRODUCTS AND PROCESSING MEET REQUIREMENTS OF TEC-138-702
- 3 DUST CAP STRAP IS ATTACHED TO THE CABLE BY A LOOP THROUGH THE DUST CAP AND A LOOP AROUND THE CABLE
- 4 CABLE ASSEMBLIES LABELED WITH WRAP-AROUND LABEL WITH THE FOLLOWING INFORMATION:
  - FULLAXS SIGNAL
  - TE PART NUMBER
  - REVISION
  - LENGTH
  - MANUFACTURING DATE FORMAT YYYYWW

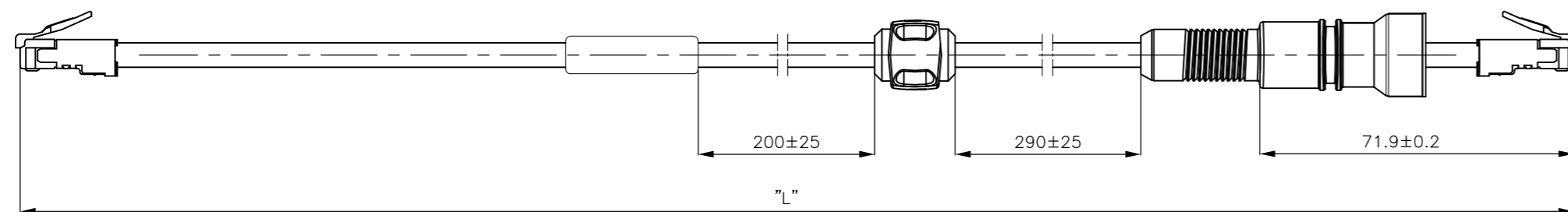


Detail: FullAXS RJ45 Shielded



FXS RJ45-RJ45	
TE PN	"L" Length in m
2142757-1	10 ±0.1
2142757-2	20 ±0.2
2142757-3	50 ±0.5
2142757-4	70 ±0.7
2142757-5	100 ±1.0

ITEM	DESCRIPTION	QTY	UoM
8	LABEL	1	PC
7	OVER MOULD STOPPER	1	PC
6	FullAXS DUST CAP STRAP	1	PC
5	FullAXS DUST CAP	1	PC
4	FullAXS CONNECTOR PLUG	1	PC
3	FullAXS RJ45 SHIELDING	1	PC
2	RJ45 CONNECTOR	2	PC
1	POE CABLE CAT5 4x2x26 AWG	"L"	M



THIS DRAWING IS A CONTROLLED DOCUMENT.

DIMENSIONS: mm	TOLERANCES UNLESS OTHERWISE SPECIFIED:	DWN T. BURZYNSKI 03APR2012	
		CHK W. MOONEN 03APR2012	
		APVD J. KLERKS 03APR2012	NAME
			CABLE ASSY AWG26, SIGNAL FLOATING FULLAXS RJ45 SHIELDED - RJ45
MATERIAL	FINISH	WEIGHT 0	SIZE A2
			CAGE CODE 00779
			DRAWING NO C=2142757
			RESTRICTED TO
		CUSTOMER DRAWING	SCALE NTS SHEET 1 of 1 REV D