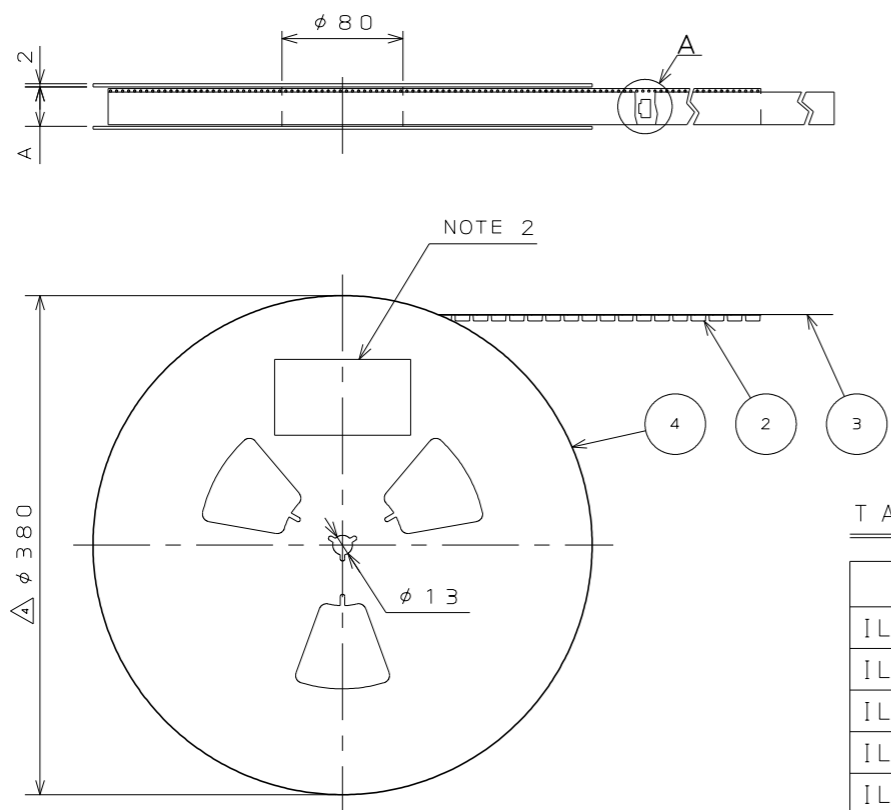


図面番号(DRAWING NO.) SJ037734



NOTE 2

TABLE 1

PART NUMBER 品名	A	B	C	D
IL-WX- 6P*-HF-*-E1000E	18	16	7.5	4.6
IL-WX- 8P*-HF-*-E1000E	18	16	7.5	5.4
IL-WX-10P*-HF-*-E1000E	18	16	7.5	6.2
IL-WX-12P*-HF-*-E1000E	18	16	7.5	7
IL-WX-14P*-HF-*-E1000E	18	16	7.5	7.8
IL-WX-16P*-HF-*-E1000E	18	16	7.5	8.6
IL-WX-18P*-HF-*-E1000E	18	16	7.5	9.4
IL-WX-20P*-HF-*-E1000E	18	16	7.5	10.2
IL-WX-22P*-HF-*-E1000E	26	24	11.5	11
IL-WX-24P*-HF-*-E1000E	26	24	11.5	11.8
IL-WX-26P*-HF-*-E1000E	26	24	11.5	12.6
IL-WX-28P*-HF-*-E1000E	26	24	11.5	13.4
IL-WX-30P*-HF-*-E1000E	26	24	11.5	14.2
IL-WX-32P*-HF-*-E1000E	26	24	11.5	15
IL-WX-34P*-HF-*-E1000E	26	24	11.5	15.8
IL-WX-36P*-HF-*-E1000E	26	24	11.5	16.6

- NOTE1. SUFFIX "E1000" OF PART NUMBER "IL-WX-*P*-HF-*-E1000E" INDICATES 1000PCS. IN REEL.
 2. THE LABEL IN WHICH PART NO., NUMBER OF CONNECTORS, LOT NO., TAPE WIDTH AND FEED PITCH ARE MARKED, AS INDICATED
 3. REFER TO THE DRAWING SJ037731 (IL-WX-*P*-HF-*-E1000E) FOR THE DIMENSIONS.
 4. IN CASE THAT DIMENSIONS B (TAPE WIDTH) IS 16.24mm, THERE IS PILOT HOLE AT ONE SIDE ONLY.

- 注1. "IL-WX-*P*-HF-*-E1000E" は収納数1000個入りのリールに収納された品名を表す。
 2. 図示の位置に下記のシールを貼り、品名、収納数、ロットNo. 及びテープの幅と送りピッチを記入する。

△ 現品ラベル/ARTICLE LABEL

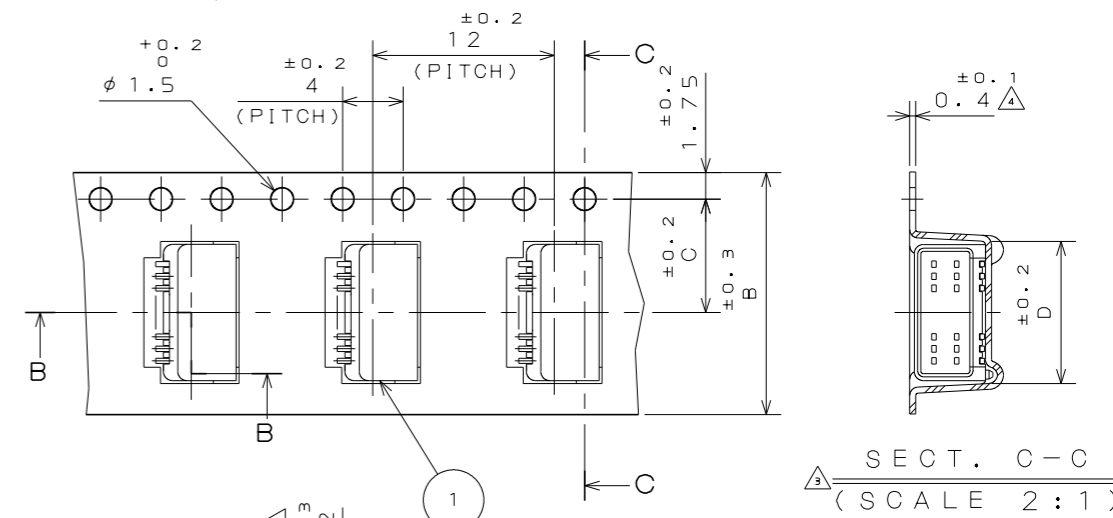
品名(DESCRIPTION) IL-WX-*P*-HF-*-E1000E
 図番(PART No.) SJ037734
 数量(Q'ty) 1.000
 ITEM NO *****
 Lot No. *****
 E.Code. TB**12

2014/01/17
 MADE IN JAPAN
 JAE Japan Aviation Electronics Industry, Ltd.
 QCF-C-0676(12.01)/JAPS-9006-2

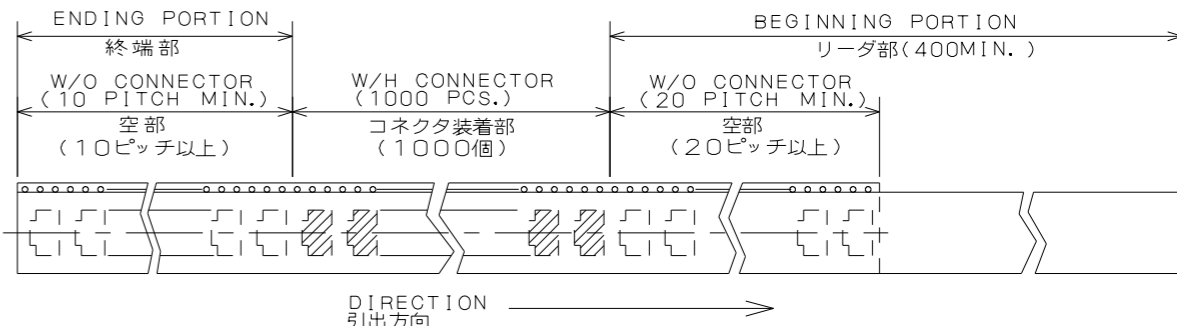
3. コネクタ寸法はSJ037731(IL-EX-*P*-HF-*E)参照。
 4. B寸法8テープ幅)が16, 24の場合、パイロット穴は片側のみである。

版数 VER.	年月日 DATE	CN NO.	変更内容 DESCRIPTION	製図 DR.	担当 CHK.	査閲 APPD.	承認 APPD.
2	15.Feb.2005	056726	REDRAWN	H.SAKURADA	N.UCHIYAMA	Y.YAHIRO	K.HISATOMI
3	30.May.2014	009317	REVISED ARTICLE LABEL	M.SAITOU	N.UCHIYAMA		T.KUDO
4	30.Jun.2014	010228	CHANGE CARRIER TAPE MATERIAL, THICKNESS AND REEL DIAMETER		N.UCHIYAMA		T.KUDO

DETAIL A
(SCALE 2:1)



SECT. B-B
(SCALE 2:1)



4	REEL	—	PAPER		
3	COVER TAPE	—	POLYESTER		
2	CARRIER TAPE	—	POLYSTYRENE △		
1	CONNECTOR	1000			IL-WX-*P*-HF-*-E1000E SJ037731 (NOTE 3)
符号 NO.	名称 DESCRIPTION	個数 QTY.	材料 MATERIAL	仕上 FINISH	備考 REMARKS
仕様書 (SPECIFICATION)		第1版 (ORIGINAL DATE) 3.Mar.2003		尺度 (SCALE)	シリーズ (SERIES) IL-WX
一般公差 (GENERAL TOLERANCE)		製図 DR. H.SAKURADA		名称 (TITLE) IL-WX-*P*-HF -*-E1000E	
寸法 (DIMENSION)		担当 CHK. T.MORITAKE		JAPAN AVIATION ELECTRONICS INDUSTRY, LTD. 日本航空電子工業株式会社	
角度 (ANGLES)		査閲 APPD.			
単位 (UNIT) : mm		承認 APPD. T.MORINO			
質量 (MASS)					
. ±0.8		×° ±		図面番号 (DRAWING NO.) SJ037734	
.x ±0.4		×°x ±		版数 (VER.) 4	
.xx ±0.1					
.xxx ±					

WISDOM承認 2014/06/27

DCF-C-212H(12.08)

Mouser Electronics

Authorized Distributor

Click to View Pricing, Inventory, Delivery & Lifecycle Information:

JAE Electronics:

[IL-WX-14P-HF-B-E1000E](#) [IL-WX-24P-HF-B-E1000E](#) [IL-WX-8PB-HF-B-E1000E](#) [IL-WX-20P-HF-B-E1000E](#) [IL-WX-16P-HF-B-E1000E](#) [IL-WX-26P-HF-B-E1000E](#) [IL-WX-8P-HF-B-E1000E](#) [IL-WX-36P-HF-B-E1000E](#) [IL-WX-12P-HF-B-E1000E](#) [IL-WX-10P-HF-B-E1000E](#) [IL-WX-6PB-HF-B-E1000E](#) [IL-WX-18P-HF-B-E1000E](#) [IL-WX-22P-HF-B-E1000E](#) [IL-WX-6P-HF-B-E1000E](#)