



## 135HC4900K2EM8

Conduction Cooled (High Density Resonant)

Parts are RoHS compliant

Parts are RoHS compliant

### ELECTRICAL SPECIFICATIONS

Capacitance: 1.32  $\mu$ F

AC Current: 850 A

ESR: 0.3 milliOhms at 100 kHz and 20°C

Self Inductance: 5 Nanohenries maximum

Tolerance: -10 %, +10 %

Temperature Range: -40°C to +85°C

Maximum Core Temperature: 85°C

Resonant Frequency: 58-215 kHz

Maximum power (KVAR): 400

VAC: 900 Volts AC

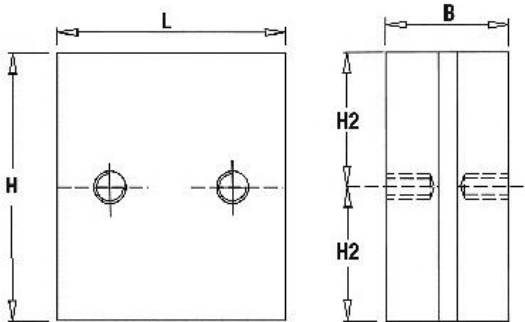
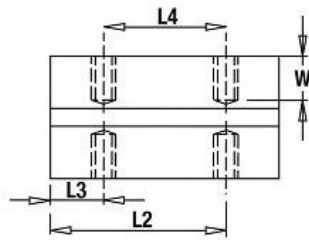
### PHYSICAL DIMENSIONS

Length (L): 56 mm, 0.5 mm

Height (H): 66 mm, +/-0.1 mm

Thickness (B): 30.2 mm, +/-0.1 mm

### LEAD STYLE: 2EM8



L	H	B	W	L2	L3	L4	H2
56±0.5	66±0.5	30.2±0.1	9	43	13	30	27.5
Mounting holes: M8 full thread with SS helicoil							
Tightening torque: 15Nm MAX							



2400 East Devon Avenue Suite 292 Des Plaines, IL 60018 (847) 675-1760 FAX (847) 673-2850

Illinois Capacitor (HK) Ltd., Tel: 85227930931, Fax: 85227930731, [www.ilcap.com.hk](http://www.ilcap.com.hk)

© Copyright 2020 Illinois Capacitor. An affiliate of Cornell Dubilier, All Rights Reserved

# Mouser Electronics

Authorized Distributor

Click to View Pricing, Inventory, Delivery & Lifecycle Information:

[Cornell Dubilier:](#)

[135HC4900K2EM8](#)