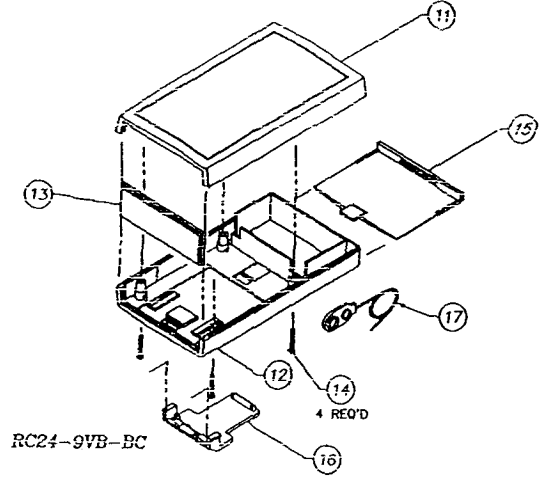
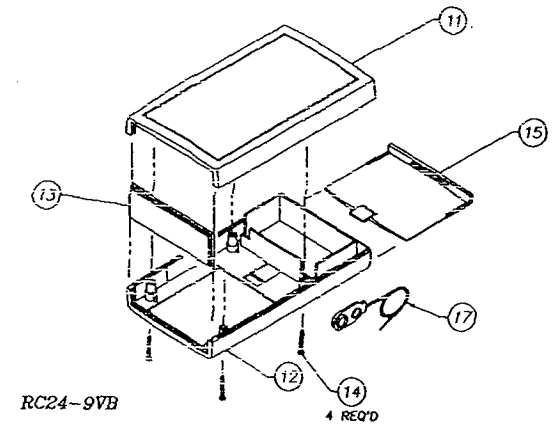


PANEL  
 .755 ± .002 [19.16 ± 0.05] H X  
 2.284 ± .002 [58.01 ± 0.05] W X  
 .032 ± .003 [1.57 ± 0.08] THK.  
 IN PANEL GROOVE AREA.

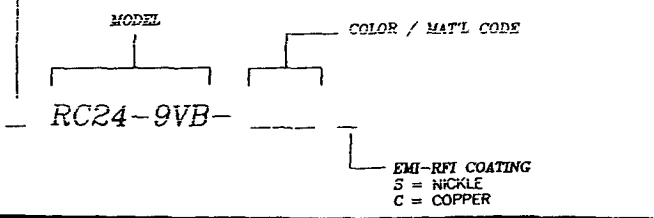
- (1) EXTERIOR INSERT AREA, FOR IN MOLD MODIFICATION.
- (2) INTERIOR INSERT AREA, FOR IN MOLD MODIFICATION.
- (3) USABLE PANEL AREA.

INCHES  
 [MM]



**MODEL NUMBER GENERATION**

K = KIT (THE RUBY LENS P/N 71525-01-705 WILL BE FURNISHED WITH ALL KITS).  
 P = PRODUCTION UNIT (THE LENS OR PANELS MUST BE PURCHASED SEPARATELY).



COLOR / MAT'L CODE		
COLOR	94HB	94V0
BLACK	000	028
*GREY	001	024
*TAN	002	025
P.C.BONE	039	060

\*SEE FACTORY FOR AVAILABILITY

ITEM	PART NUMBER	DESCRIPTION	RC24-9VB		RC24-9VB-BC	
			PROD	KIT	PROD	KIT
17	60563-01	CONNECTOR (9V)	1	1	1	1
16	71287-01-XXX	BELT CLIP	-	-	1	1
15	71198-01-XXX	DOOR, BATTERY	1	1	1	1
14	60228-01	SCREW	4	4	4	4
13	71525-02-XXX	PANEL	-	1	-	1
13	71525-01-705	PANEL (RUBY)	-	1	-	1
12	71850-01-XXX	BOTTOM COVER	-	-	1	1
12	71849-01-XXX	BOTTOM COVER	1	1	-	-
11	72600-01-XXX	TOP COVER	1	1	1	1

**PACNITEC®**  
 RC24-9VB, RC24-9VB-BC  
 1-800-220-9800