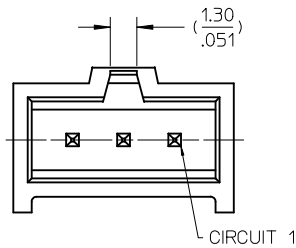
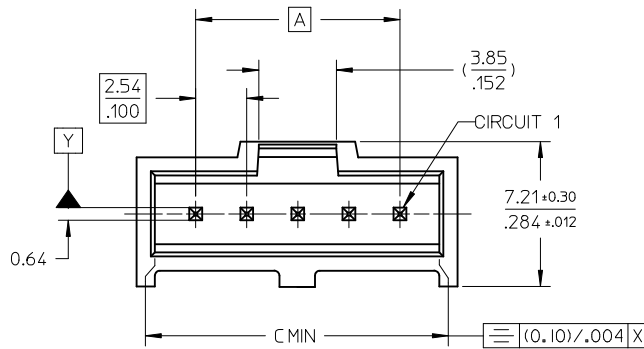


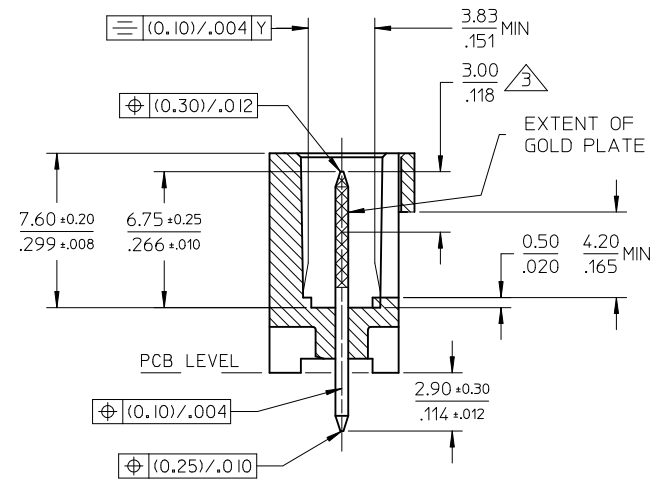
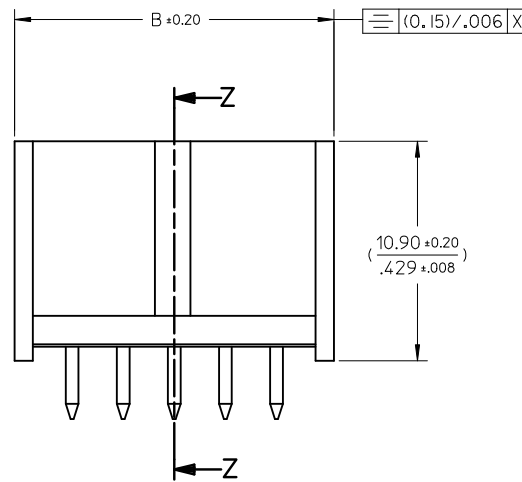
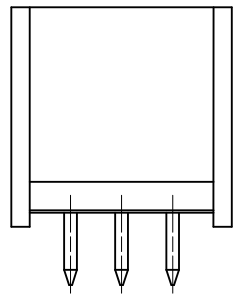
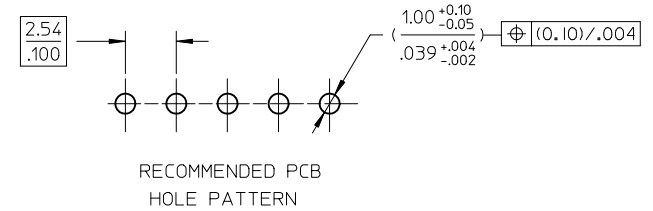
THROUGH HOLE VERSION (STRAIGHT ASSEMBLY)



1 TO 3 CIRCUITS



4 TO 32 CIRCUITS



NOTES :

1. MATERIALS :

- PIN : (0.650) / .0255 SQ. BRASS WIRE.
- HOUSING : 15% GLASS FILLED POLYESTER
- UL 94V-0 COLOR BLACK

2. FOR PLATINGVERSIONS, SEE SHEET 2.

3. MEASUREMENT POINT FOR MINIMUM PLATING THICKNESS.

4. PRODUCT SPEC: PS-99020-0001

5. RECOMMENDED PCB THICKNESS 1.6mm

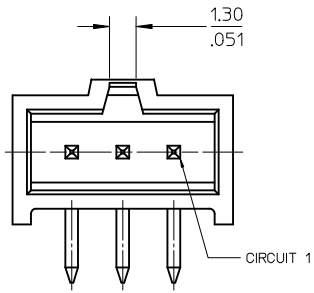
SCALE UPDATE ON SHT2 & ADD AUF LASH OPTION EC NO: S2011-1033	DRW: NAI SEE 2011/06/07	QUALITY SYMBOLS F _A =0 F _G =0 F _P =0
	CHKD: SKANG 2011/06/21	
AB	APPR: MLONG 2011/06/21	DESCRIPTION

GENERAL TOLERANCES (UNLESS SPECIFIED)	mm	INCH
	4 PLACES ± ---	± ---
	3 PLACES ± ---	± .004
	2 PLACES ± 0.10	± ---
	1 PLACE ± ---	± ---
ANGULAR ± 1/2°		
DRAFT WHERE APPLICABLE MUST REMAIN WITHIN DIMENSIONS		

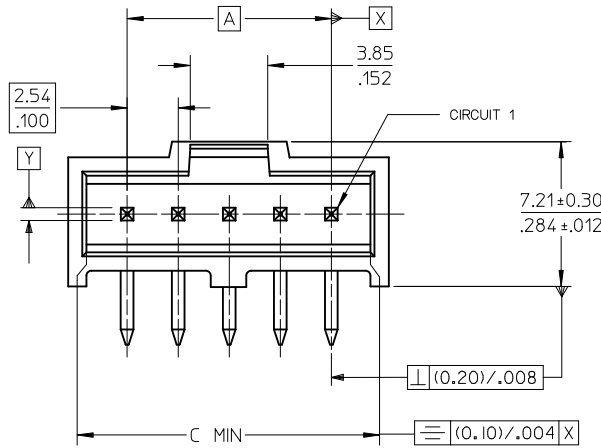
DIMENSION STYLE MM/IN	
DRAWN BY KS	DATE 1987/10/30
CHECKED BY BEN RIGHT	DATE 2002/08/15
APPROVED BY MLONG	DATE 2011/04/15
MATERIAL NO. SEE TABLE	
SIZE A3	

SCALE NTS	DESIGN UNITS METRIC	THIRD ANGLE PROJECTION
TITLE C-GRID III SINGLE ROW STRAIGHT SHROUDED HEADER		
MOLEX INCORPORATED		
DOCUMENT NO. SDA-90136		SHEET NO. 1 OF 5
THIS DRAWING CONTAINS INFORMATION THAT IS PROPRIETARY TO MOLEX INCORPORATED AND SHOULD NOT BE USED WITHOUT WRITTEN PERMISSION		

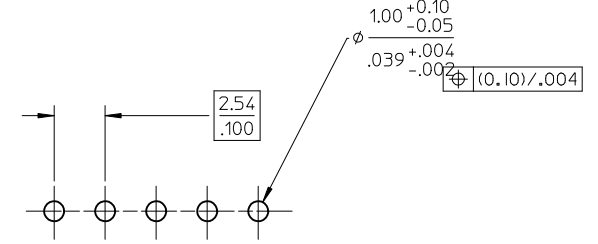
RIGHT ANGLE VERSION



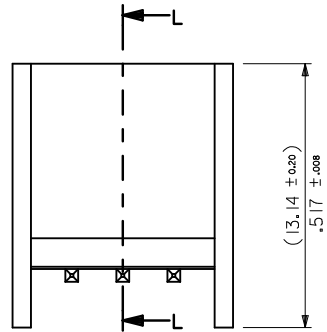
1 TO 3 CIRCUITS



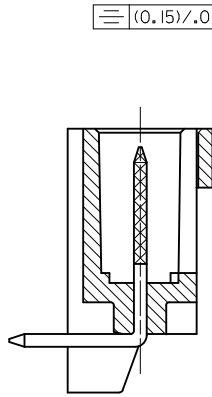
4 TO 32 CIRCUITS



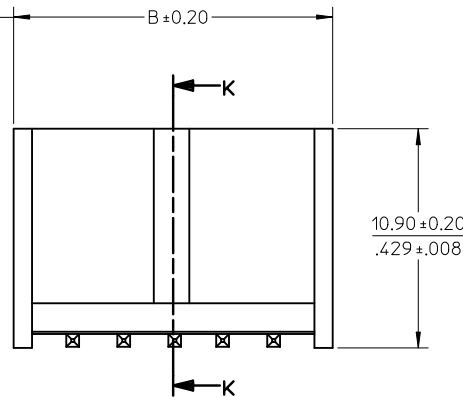
RECOMMENDED PCB PATTERN



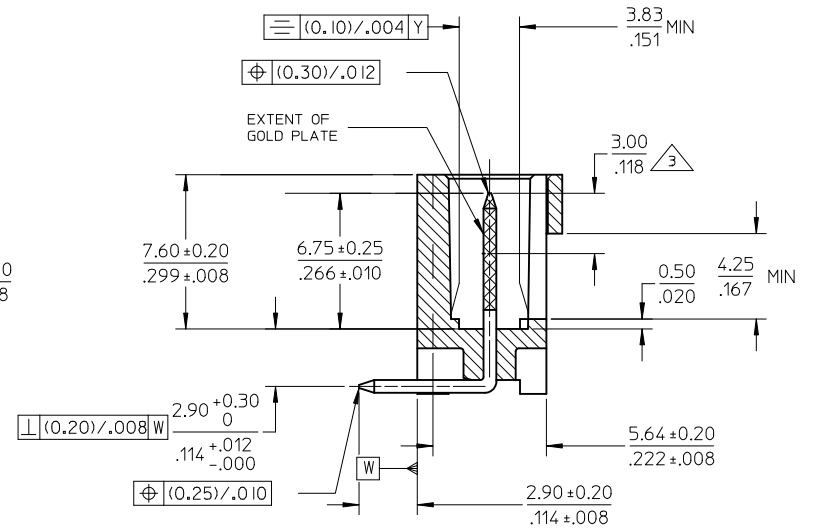
1 TO 6 CIRCUITS



SECTION L-L



7 TO 32 CIRCUITS



SECTION K-K

SCALE UPDATE ON SHT2 & ADD AUF LASH OPTION EC NO: S2011-1033 DRW: N/AT/SEE 2011/06/07 CH/KD: SKANG 2011/06/21 APPR: MLONG 2011/06/21	QUALITY SYMBOLS F _A = 0 F _B = 0 F _C = 0	GENERAL TOLERANCES (UNLESS SPECIFIED)		DIMENSION STYLE MM/IN	SCALE NTS	DESIGN UNITS METRIC	THIRD ANGLE PROJECTION		
		4 PLACES ± --- ± --- 3 PLACES ± --- ± .004 2 PLACES ± 0.10 ± --- 1 PLACE ± --- ± ---	mm INCH --- --- --- .004 0.10 --- --- ---	DRAWN BY KS	DATE 1987/10/30	TITLE C-GRID III SINGLE ROW STRAIGHT SHROUDED HEADER			
		ANGULAR ± 1/2°		CHECKED BY BENRIGT	DATE 2002/08/15	MOLEX INCORPORATED			
		DRAFT WHERE APPLICABLE MUST REMAIN WITHIN DIMENSIONS		APPROVED BY MLONG	DATE 2011/04/15	MATERIAL NO. SEE TABLE	DOCUMENT NO. SDA-90136	SHEET NO. 2 OF 5	

10	9	8	7	6	5	4	3	2	1
CKTS	ASSEMBLY P/N	DIM A	DIM B	DIM C					
1	90136-**01	-	(5.89)/.232	(4.06)/.160					
2	90136-**02	(2.54)/.100	(8.43)/.332	(6.06)/.260					
3	90136-**03	(5.08)/.200	(10.97)/.432	(9.14)/.360					
4	90136-**04	(7.62)/.300	(13.51)/.532	(11.68)/.460					
5	90136-**05	(10.16)/.400	(16.05)/.632	(14.22)/.560					
6	90136-**06	(12.70)/.500	(18.59)/.732	(16.76)/.660					
7	90136-**07	(15.24)/.600	(21.13)/.832	(19.30)/.760					
8	90136-**08	(17.78)/.700	(23.67)/.932	(21.84)/.860					
9	90136-**09	(20.32)/.800	(26.21)/1.032	(24.38)/.960					
10	90136-**10	(22.86)/.900	(28.75)/1.132	(26.92)/1.060					
11	90136-**11	(25.4)/1.000	(31.29)/1.232	(29.46)/1.160					
12	90136-**12	(27.94)/1.100	(33.83)/1.332	(32.00)/1.260					
13	90136-**13	(30.48)/1.200	(36.37)/1.432	(34.54)/1.360					
14	90136-**14	(33.02)/1.300	(38.91)/1.532	(37.08)/1.460					
15	90136-**15	(35.56)/1.400	(41.45)/1.632	(39.62)/1.560					
16	90136-**16	(38.10)/1.500	(43.99)/1.732	(42.16)/1.660					
17	90136-**17	(40.64)/1.600	(46.53)/1.832	(44.70)/1.760					
18	90136-**18	(43.18)/1.700	(49.07)/1.932	(47.24)/1.860					
19	90136-**19	(45.72)/1.800	(51.61)/2.032	(49.78)/1.960					
20	90136-**20	(48.26)/1.900	(54.15)/2.132	(52.32)/2.060					
21	90136-**21	(50.80)/2.000	(56.69)/2.232	(54.86)/2.160					
22	90136-**22	(53.34)/2.100	(59.23)/2.332	(57.40)/2.260					
23	90136-**23	(55.88)/2.200	(61.77)/2.432	(59.94)/2.360					
24	90136-**24	(58.42)/2.300	(64.31)/2.532	(62.48)/2.460					
25	90136-**25	(60.96)/2.400	(66.85)/2.632	(65.02)/2.560					
26	90136-**26	(63.50)/2.500	(69.39)/2.732	(67.56)/2.660					
27	90136-**27	(66.04)/2.600	(71.93)/2.832	(70.10)/2.760					
28	90136-**28	(68.58)/2.700	(74.47)/2.932	(72.64)/2.860					
29	90136-**29	(71.12)/2.800	(77.01)/3.032	(75.18)/2.960					
30	90136-**30	(73.66)/2.900	(79.55)/3.132	(77.72)/3.060					
31	90136-**31	(76.20)/3.000	(82.09)/3.232	(80.26)/3.160					
32	90136-**32	(78.74)/3.100	(84.63)/3.332	(82.80)/3.260					

NOTES

6. FOR PLATING DETAILS SEE SDES 99000-0003

90136 - X X X X

INDICATES NO. OF CIRCUITS

PLATING

- 1 - TYPE A
- 2 - TYPE E
- 3 - TYPE F
- 4 - TYPE G

- STYLE - 1 - STRAIGHT ASSEMBLY
- STYLE - 2 - RIGHT ANGLE ASSEMBLY
- STYLE - 5 - STRAIGHT ASSEMBLY WITH VOIDS
- STYLE - 7 - NON STANDARD PRODUCT

7. PLATING TYPES

1 - TYPE A

TIN 3.0µm MIN. OVER 1.27 - 2.54µm NICKEL.

2 - TYPE E

GOLD STRIPE 0.38 - 0.64µm IN SELECTED AREA (2 SIDES) & 3.0µm MIN TIN IN SELECTED AREA OVER 1.3 - 1.78µm NICKEL OVERALL.

3 - TYPE F

GOLD STRIPE 0.762 - 1.02µm IN SELECTED AREA (2 SIDES) & 3.0µm MIN TIN IN SELECTED AREA OVER 1.3 - 1.78µm NICKEL OVERALL.

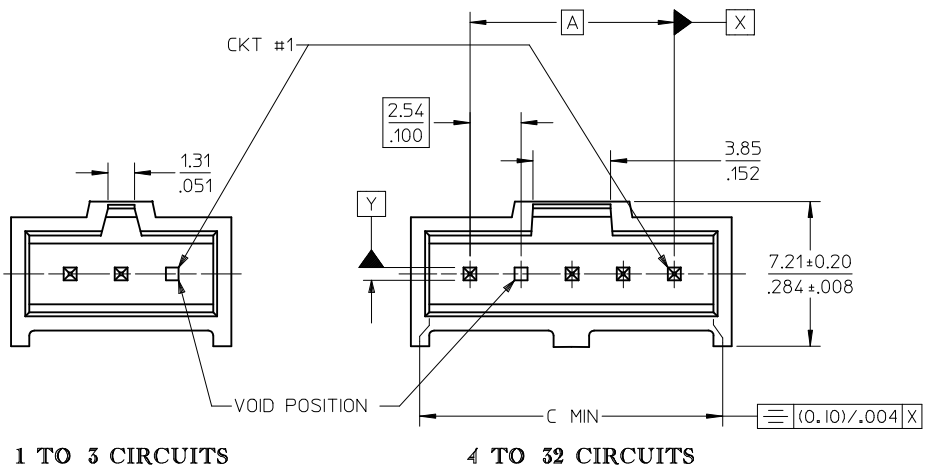
4 - TYPE G

SELECTIVE GOLD PLATE. GOLD FLASH 0.05 - 0.10µm IN SELECTED AREA AND 3.0µm MIN - 5.0µm MAX TIN IN SELECTED AREA OVER 1.3 - 2.5µm NICKEL OVERALL.

SCALE UPDATE ON SHT2 & ADD AUF LASH OPTION EC NO: S2011-1033 DRW:ATSEE 2011/06/07 CHKD:SKANG 2011/06/21 APPR:MLONG 2011/06/21	REV DESCRIPTION	QUALITY SYMBOLS	GENERAL TOLERANCES (UNLESS SPECIFIED)	DIMENSION STYLE	SCALE	DESIGN UNITS	THIRD ANGLE PROJECTION
		$\nabla_F = 0$ $\nabla_{F'} = 0$ $\nabla_{F''} = 0$	mm INCH 4 PLACES ± --- ± --- 3 PLACES ± --- ± .004 2 PLACES ± 0.10 ± --- 1 PLACE ± --- ± --- ANGULAR ±1/2°	MM/IN DRAWN BY DATE KS 1987/10/30	NTS TITILE	METRIC C-GRID III SINGLE ROW STRAIGHT SHROUDED HEADER	
		0 DRAFT WHERE APPLICABLE MUST REMAIN WITHIN DIMENSIONS	SEE TABLE	MATERIAL NO. DOCUMENT NO.	MOLEX MOLEX INCORPORATED	SHEET NO. 3 OF 5	
		AB	SIZE A3 THIS DRAWING CONTAINS INFORMATION THAT IS PROPRIETARY TO MOLEX INCORPORATED AND SHOULD NOT BE USED WITHOUT WRITTEN PERMISSION	SDA-90136			

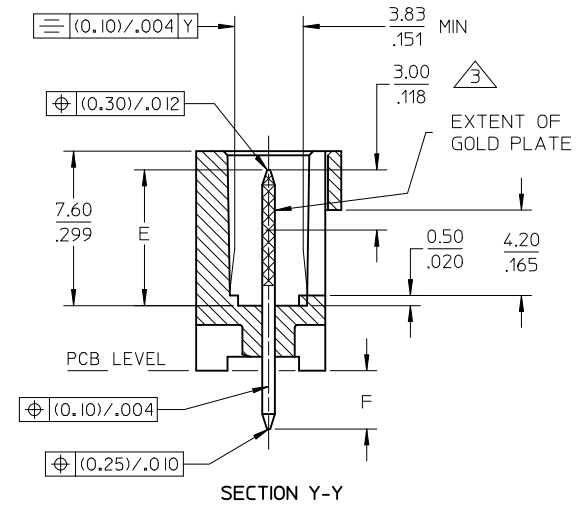
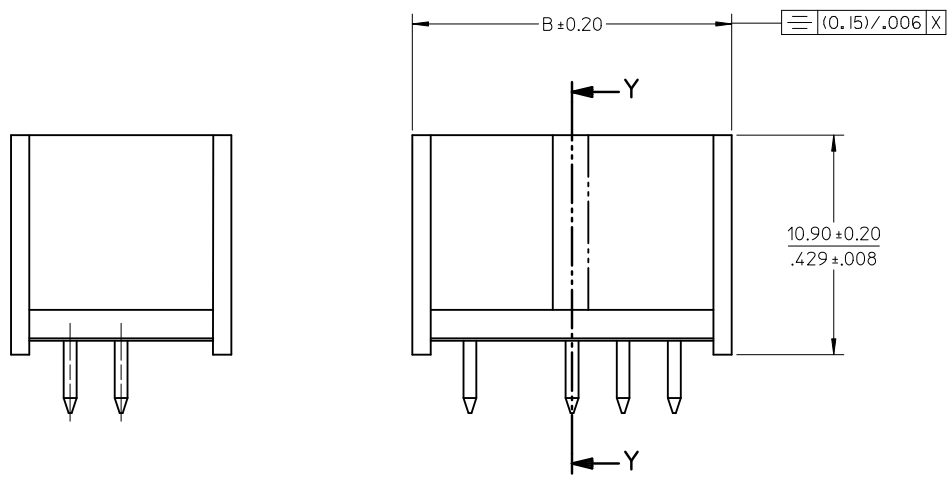
THROUGH HOLE VERSION (WITH VOIDS)

ASSEMBLY P/N	CKT SIZE	PLATING TYPE	VOID POSITIONS	DIM E ±0.25/ ±0.010	DIM F ±0.30/ ±0.012
90136-5107	7	A	3, 4, 6	5.35 / .210	3.80 / .150
90136-5108	10	A	7	6.75 / .266	2.90 / .114

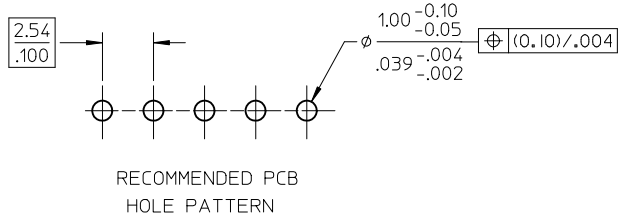


1 TO 3 CIRCUITS

4 TO 32 CIRCUITS



SECTION Y-Y

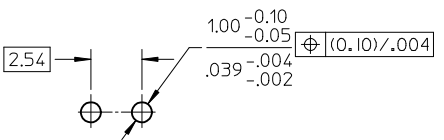
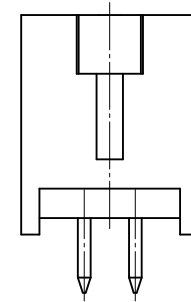
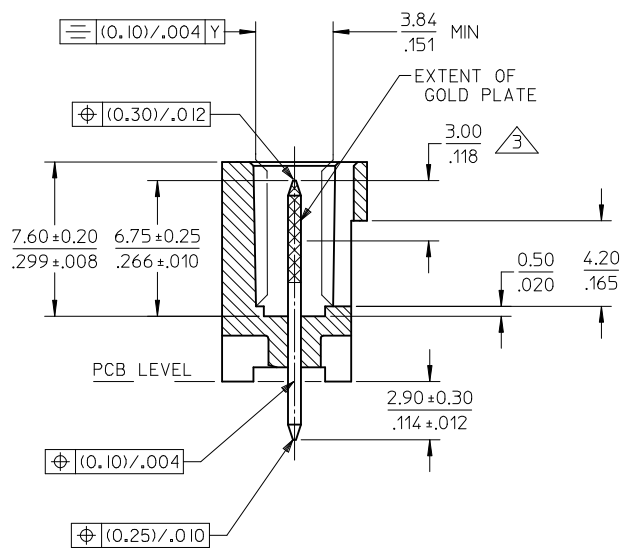
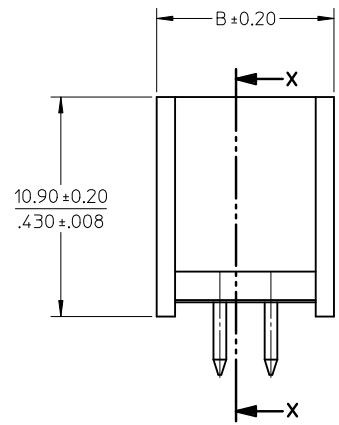
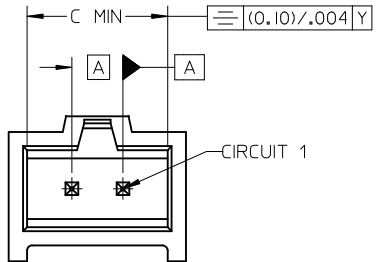


RECOMMENDED PCB HOLE PATTERN

SCALE UPDATE ON SHT2 & ADD AFLASH OPTION EC NO: S2011-1033 DRWN:AT SEE 2011/06/07 CHKD:SKANG 2011/06/21 APPR:MLONG 2011/06/21	QUALITY SYMBOLS	GENERAL TOLERANCES (UNLESS SPECIFIED)		DIMENSION STYLE	SCALE	DESIGN UNITS	THIRD ANGLE PROJECTION
	$\nabla_{\text{A}} = 0$ $\nabla_{\text{B}} = 0$ $\nabla_{\text{C}} = 0$	mm INCH 4 PLACES ± --- ± --- 3 PLACES ± --- ± .004 2 PLACES ± 0.10 ± --- 1 PLACE ± --- ± --- ANGULAR ± 1/2°	MM/IN	NTS	METRIC	C-GRID III SINGLE ROW STRAIGHT SHROUDED HEADER	
	DRAWN:AT SEE 2011/06/07 CHKD:SKANG 2011/06/21 APPR:MLONG 2011/06/21	DRAWN BY: KS CHECKED BY: BENRIGT APPROVED BY: MLONG	DATE: 1987/10/30	DATE: 2002/08/15	DATE: 2011/04/15	MOLEX INCORPORATED	
	REV: AB	DRAFT WHERE APPLICABLE MUST REMAIN WITHIN DIMENSIONS	MATERIAL NO. SEE TABLE SIZE: A3	DOCUMENT NO. SDA-90136	SHEET NO. 4 OF 5		

NON-STANDARD PRODUCT

ASSEMBLY P/N	CKT SIZE	PLATING TYPE
90136-7102	2	A
90136-7202	2	E
90136-7302	2	F



RECOMMENDED PCB HOLE PATTERN

SECTION X-X

SCALE UPDATE ON SHTZ & ADD AUF LASH OPTION EC NO: S2011-1033 DRWN:ATSEE 2011/06/07 CH'KD:SKANG 2011/06/21 APPR:MLONG 2011/06/21	QUALITY SYMBOLS $\nabla = 0$ $\nabla = 0$ $\nabla = 0$	GENERAL TOLERANCES (UNLESS SPECIFIED)		DIMENSION STYLE MM/IN	SCALE NTS	DESIGN UNITS METRIC	THIRD ANGLE PROJECTION		
			mm	INCH	DRAWN BY KS	DATE 1987/10/30	TITLE C-GRID III SINGLE ROW STRAIGHT SHROUDED HEADER		
		4 PLACES ± --- ± --- 3 PLACES ± --- ± .004 2 PLACES ± 0.10 ± --- 1 PLACE ± --- ± ---			CHECKED BY BENR IGH T	DATE 2002/08/15	MOLEX INCORPORATED		
		ANGULAR ± 1/2°			APPROVED BY MLONG	DATE 2011/04/15	MATERIAL NO. SEE TABLE	DOCUMENT NO. SDA-90136	SHEET NO. 5 OF 5
DRAFT WHERE APPLICABLE MUST REMAIN WITHIN DIMENSIONS			SIZE A3	THIS DRAWING CONTAINS INFORMATION THAT IS PROPRIETARY TO MOLEX INCORPORATED AND SHOULD NOT BE USED WITHOUT WRITTEN PERMISSION					