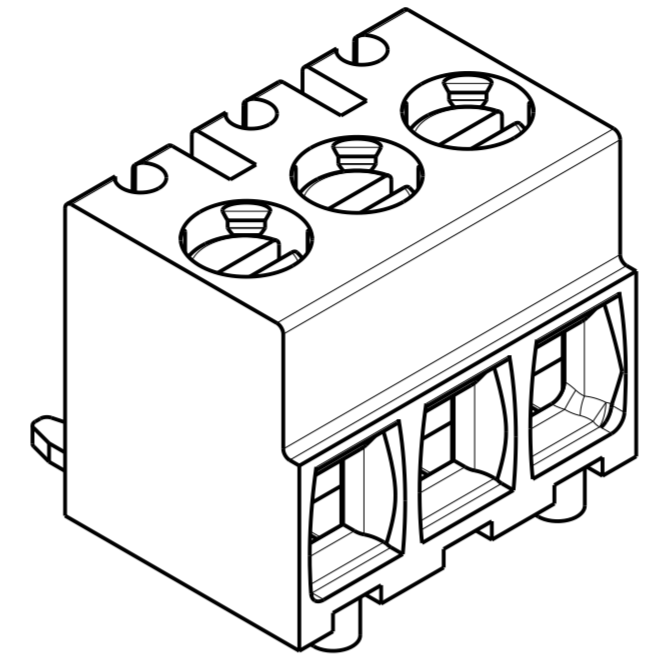
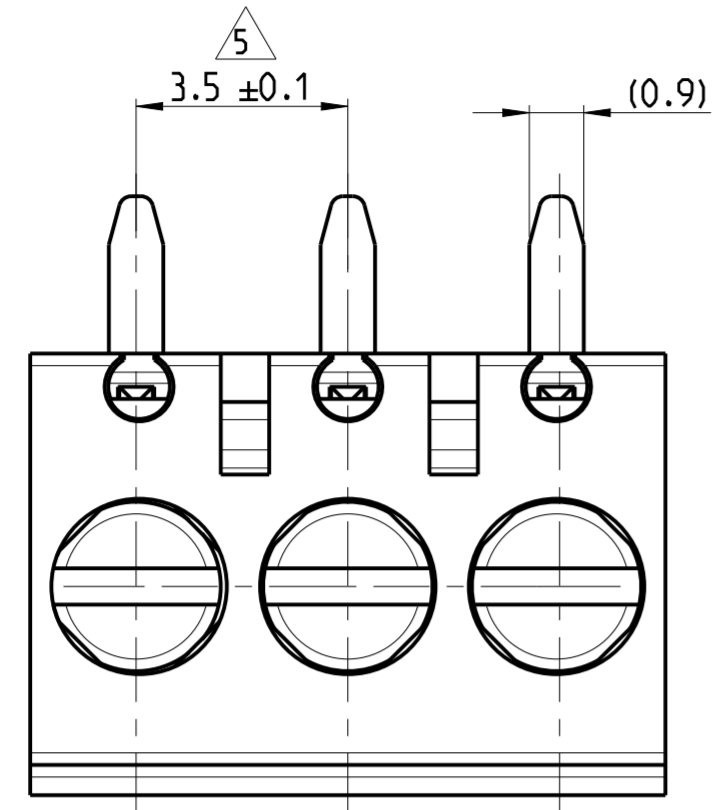


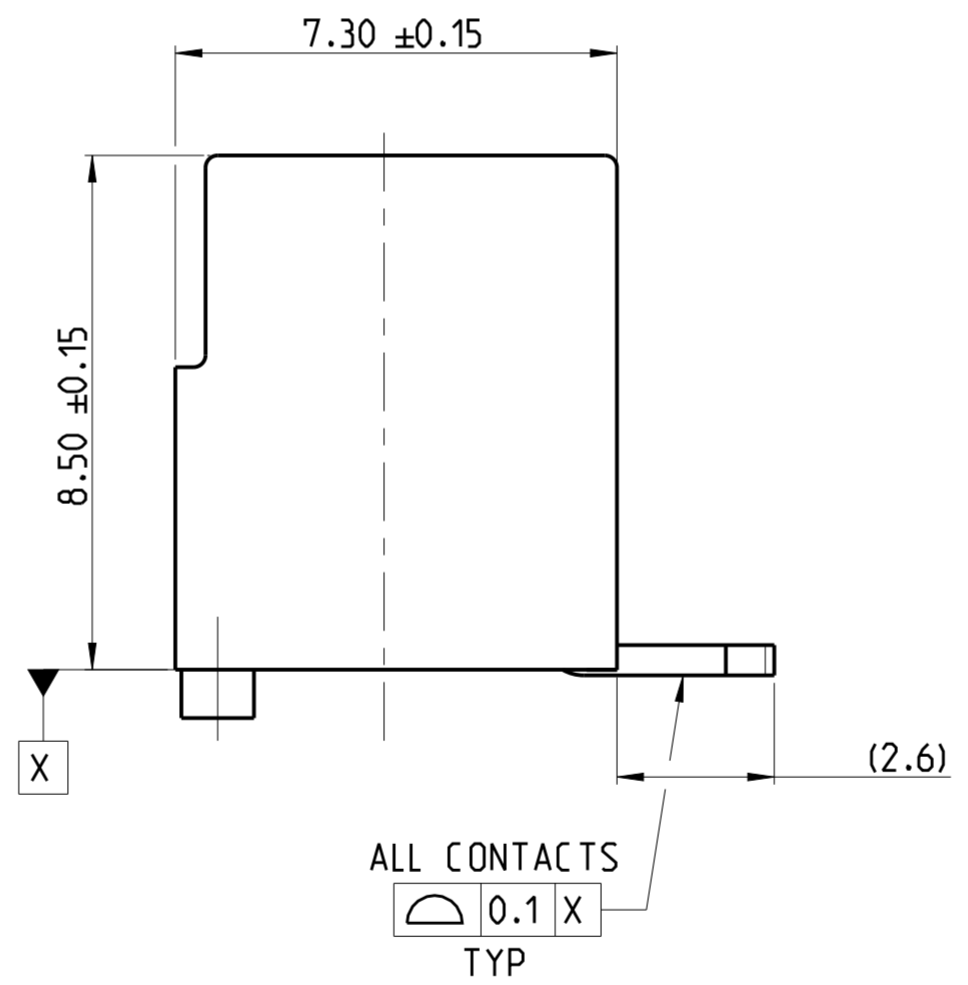
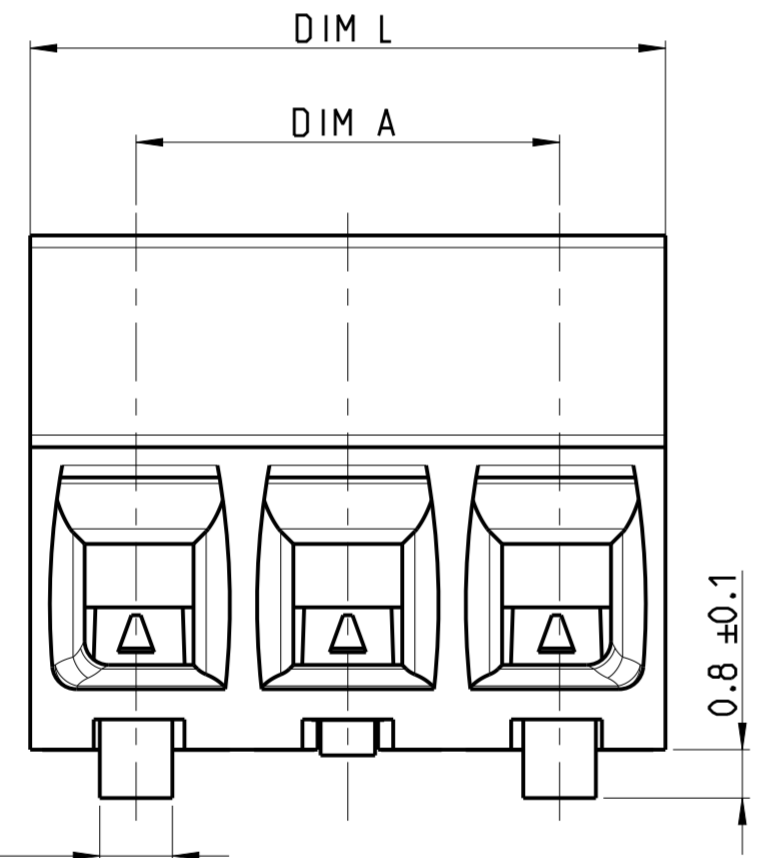
REVISIONS					
P	LTR	DESCRIPTION	DATE	DWN	APVD
1		PRELIMINARY	23DEC2020	DV	PS
A		PRODUCTION RELEASE	28APR2021	SS	PS



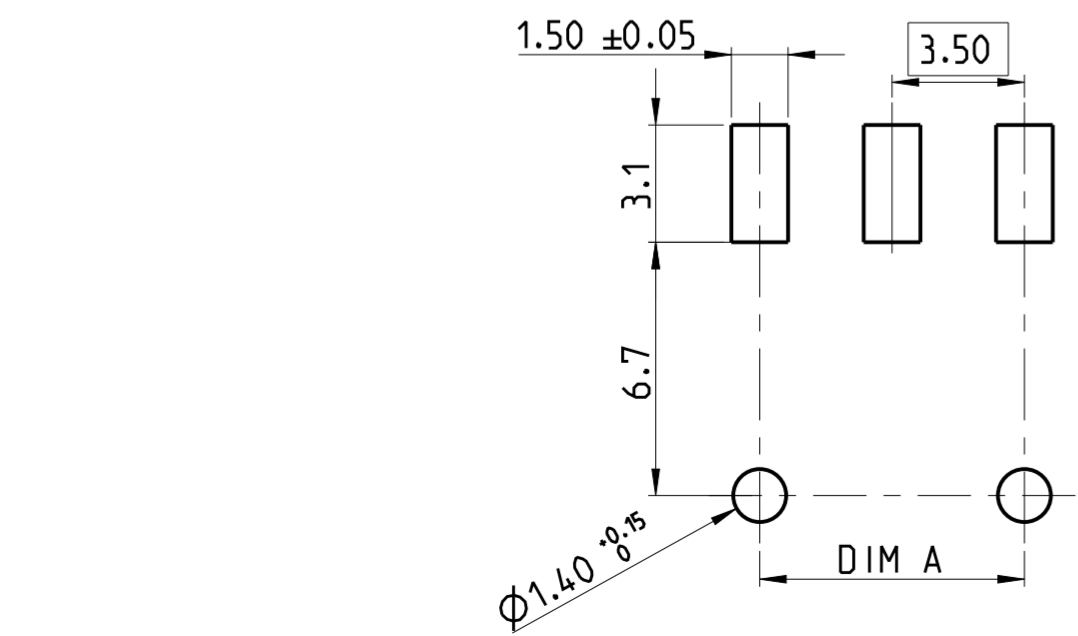
2383942-3 AS SHOWN

NOTES

- MATERIALS & FINISH**  
 HOUSING : HIGH TEMPERATURE PA, UL94 V0, COLOR -BLACK  
 SCREW M2 : COPPER ALLOY, NICKEL PLATED  
 CLAMP : COPPER ALLOY, NICKEL PLATED  
 CONTACT : COPPER ALLOY, NICKEL & TIN PLATED
- MECHANICAL**  
 WIRE STRIPPING LENGTH : 5-6 mm  
 RECOMMENDED/HIGHEST TIGHTENING TORQUE : 0.5/0.6 Nm.
- ELECTRICAL**  
 WIRE RANGE : 16 - 28 AWG  
 MAX. VOLTAGE : 300 V  
 MAX CURRENT : 12 A  
 CONTACT RESISTANCE : <15 m Ohm  
 INSULATION RESISTANCE : >1000 M Ohm (500V DC)
- OPERATING TEMPERATURE RANGE:** -40 °C TO +105 °C
- NOT CUMULATIVE TOLERANCE.**
- SCREW CLAMP WILL BE IN CLOSED CONDITION.**



DIM A	DIM L	POSITION	TE PN
38.50	42.00	12	1-2383942-2
35.00	38.50	11	1-2383942-1
31.50	35.00	10	1-2383942-0
28.00	31.50	9	2383942-9
24.50	28.00	8	2383942-8
21.00	24.50	7	2383942-7
17.50	21.00	6	2383942-6
14.00	17.50	5	2383942-5
10.50	14.00	4	2383942-4
7.00	10.50	3	2383942-3
3.50	7.00	2	2383942-2



RECOMMENDED PCB LAYOUT

THIS DRAWING IS A CONTROLLED DOCUMENT.

DIMENSIONS: mm	TOLERANCES UNLESS OTHERWISE SPECIFIED: 0 PLC ± 1 PLC ±0.3 2 PLC ±0.25 3 PLC ± 4 PLC ±	DWN 22DEC2020 CHK 24DEC2020 APVD 24DEC2020 PRASHANTH S	TE Connectivity
MATERIAL	FINISH	PRODUCT SPEC 108-160231	NAME TERMINAL BLOCK, SMD MOUNT 180 DEGREE, 3.5 mm PITCH
		APPLIC. SPEC	SIZE A2 CAGE CODE 00779 DRAWING NO C-2383942
		WEIGHT	RESTRICTED TO
		RESTRICTED CUSTOMER	SCALE 5:1 SHEET 1 OF 1 REV A