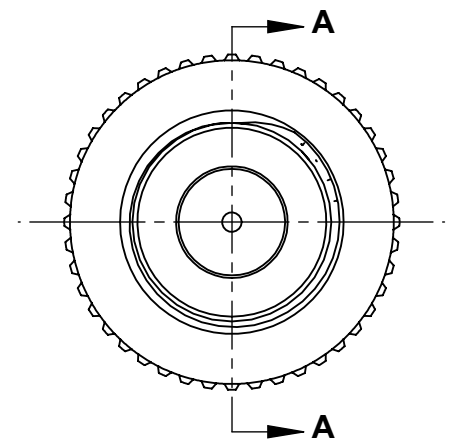
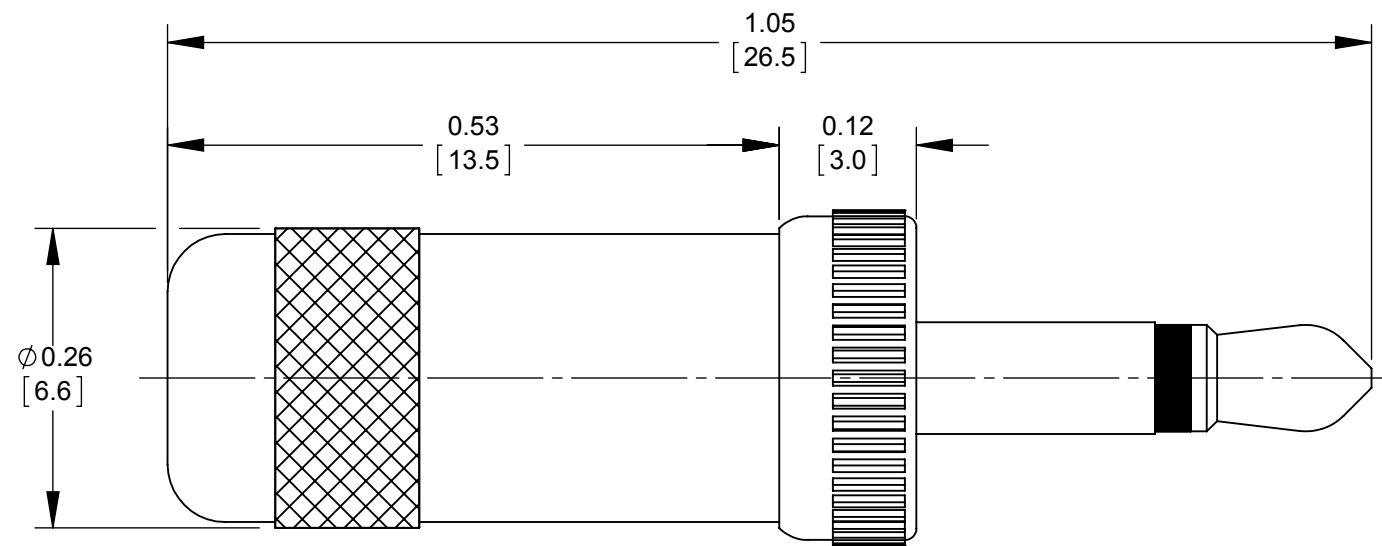
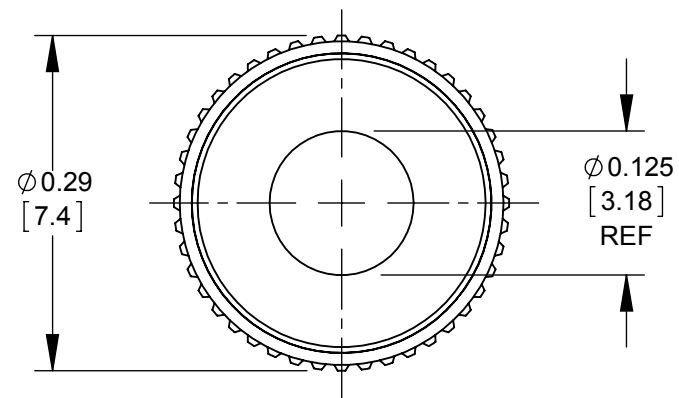
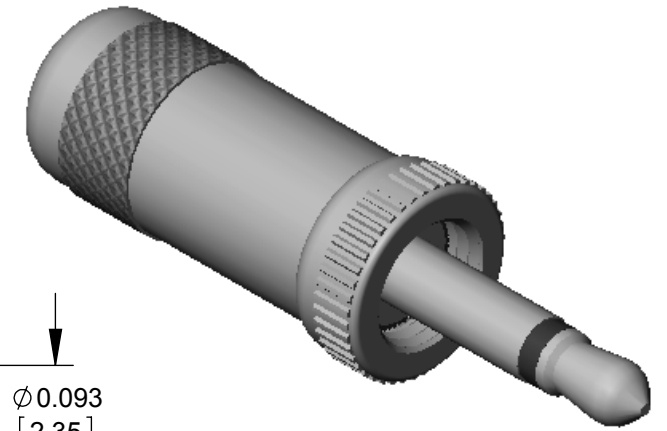
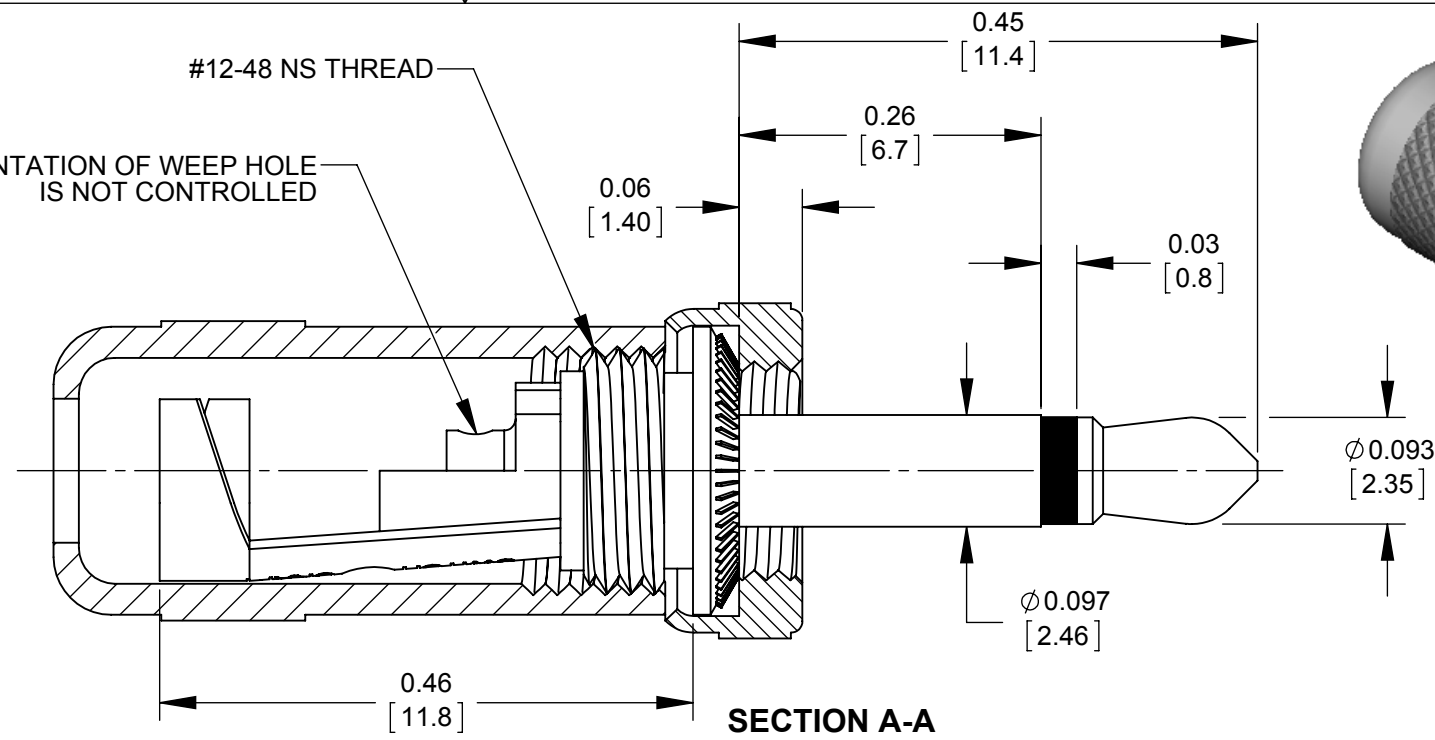


B ORIENTATION OF WEEP HOLE IS NOT CONTROLLED



NOTES:

- MATERIALS:
TIP, BODY AND COUPLING RING - COPPER ALLOY, NICKEL PLATED
CABLE CLAMP - COPPER ALLOY, TIN PLATED
INSULATION - THERMOPLASTIC, DARK GRAY
HANDLE - ANODIZED ALUMINUM, SEE TABLE FOR COLOR
- COUPLING RING HAS A #10-48 NS-2B THREAD. 0.050 MINIMUM THREAD PROJECTION OF JACK FOR PROPER LOCK.
- HANDLE IS SHIPPED UNASSEMBLED.
- THIS PRODUCT IS RoHS COMPLIANT.

PART NUMBER	HANDLE COLOR
851X	BLACK
856X	RED
881X	CLEAR ANODIZED

CUSTOMER DRAWING

REV	ECO NUMBER	DATE	BY	APVD
B	27510	06-03-15	TJK	TJK
A	26062	06-28-06	TO	TJK

UNLESS OTHERWISE SPECIFIED
1. ALL DIMENSIONS IN INCHES [mm]
- TWO PLACE DECIMALS ±0.02 [0.5]
- THREE PLACE DECIMALS ±0.005 [0.13]

DO NOT SCALE DRAWING

THIS DRAWING DESCRIBES A DESIGN CONSIDERED PROPRIETARY IN NATURE, DEVELOPED AND MANUFACTURED BY SWITCHCRAFT INC. AND IS RELEASED ON A CONFIDENTIAL BASIS FOR IDENTIFICATION PURPOSES ONLY.										
SIZE	WIDTH	MULT	LBS/M	TEMPER						
FINISH					MATERIAL					
SPEC No.					SPEC No.					
FIRST USED ON				SCALE 6:1						
DATE DRAWN	BY	CHKD	APVD	Switchcraft®						
01-23-08	AH	AH	TJK	SHEET 1 OF 1						
				NAME 2 CONDUCTOR, LOCKING MICRO-PLUG ASSEMBLY, RoHS				PART No. 851X, 856X, 881X		REV B

Mouser Electronics

Authorized Distributor

Click to View Pricing, Inventory, Delivery & Lifecycle Information:

[Switchcraft:](#)

[851](#) [881](#) [851X](#) [881X](#) [856](#) [883](#) [2P1419](#) [2P1503A](#) [2P1495](#) [856X](#)