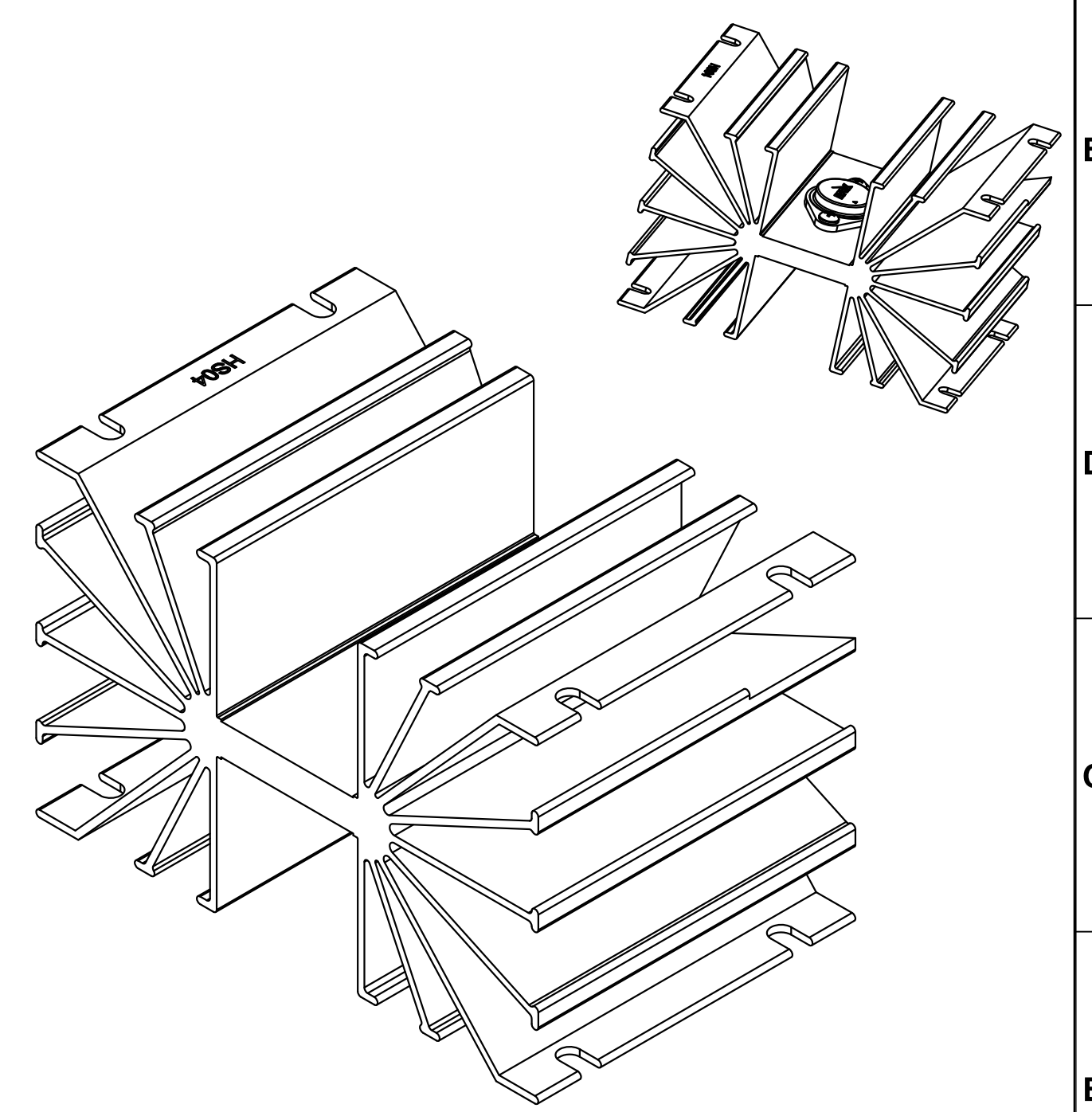
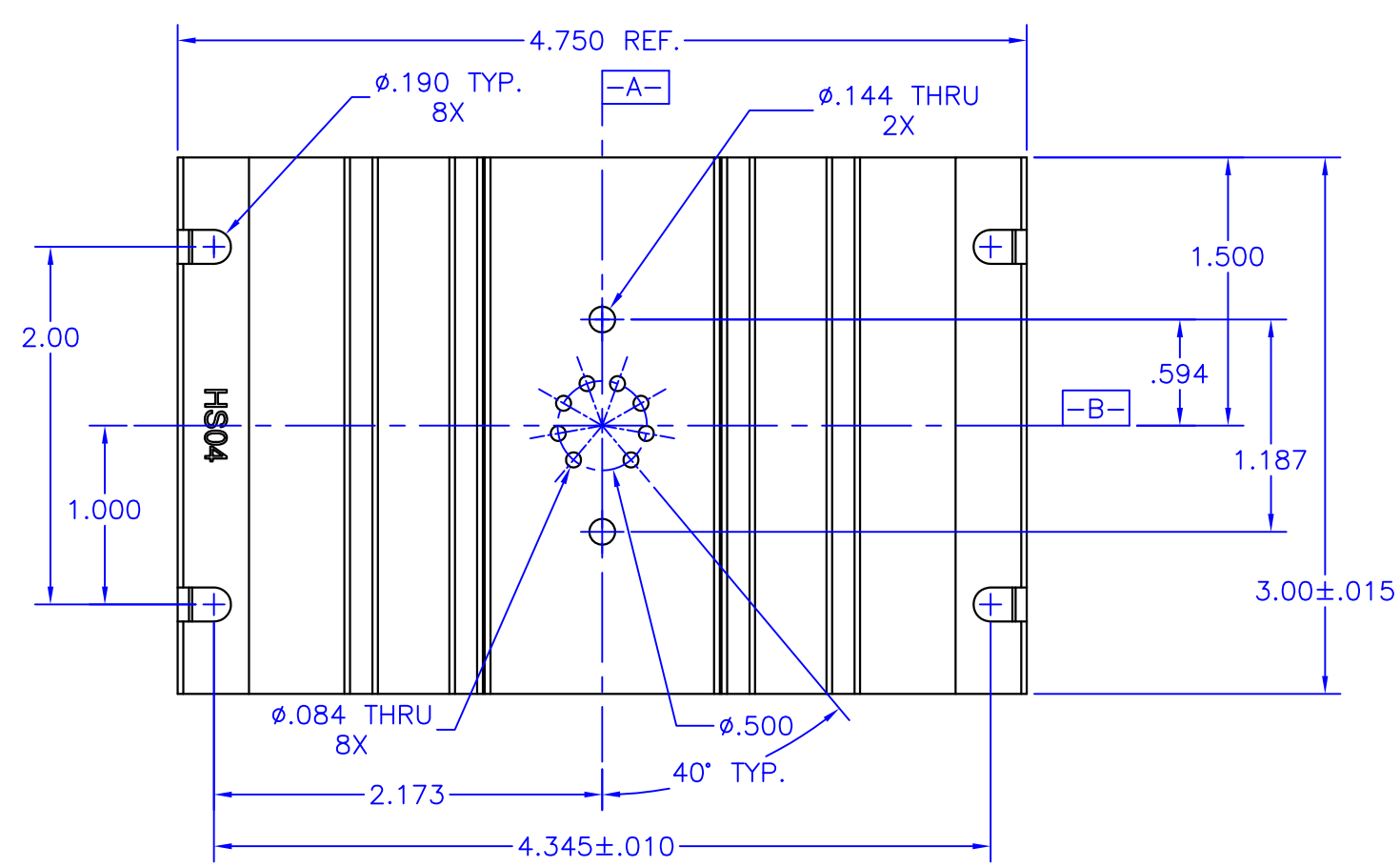
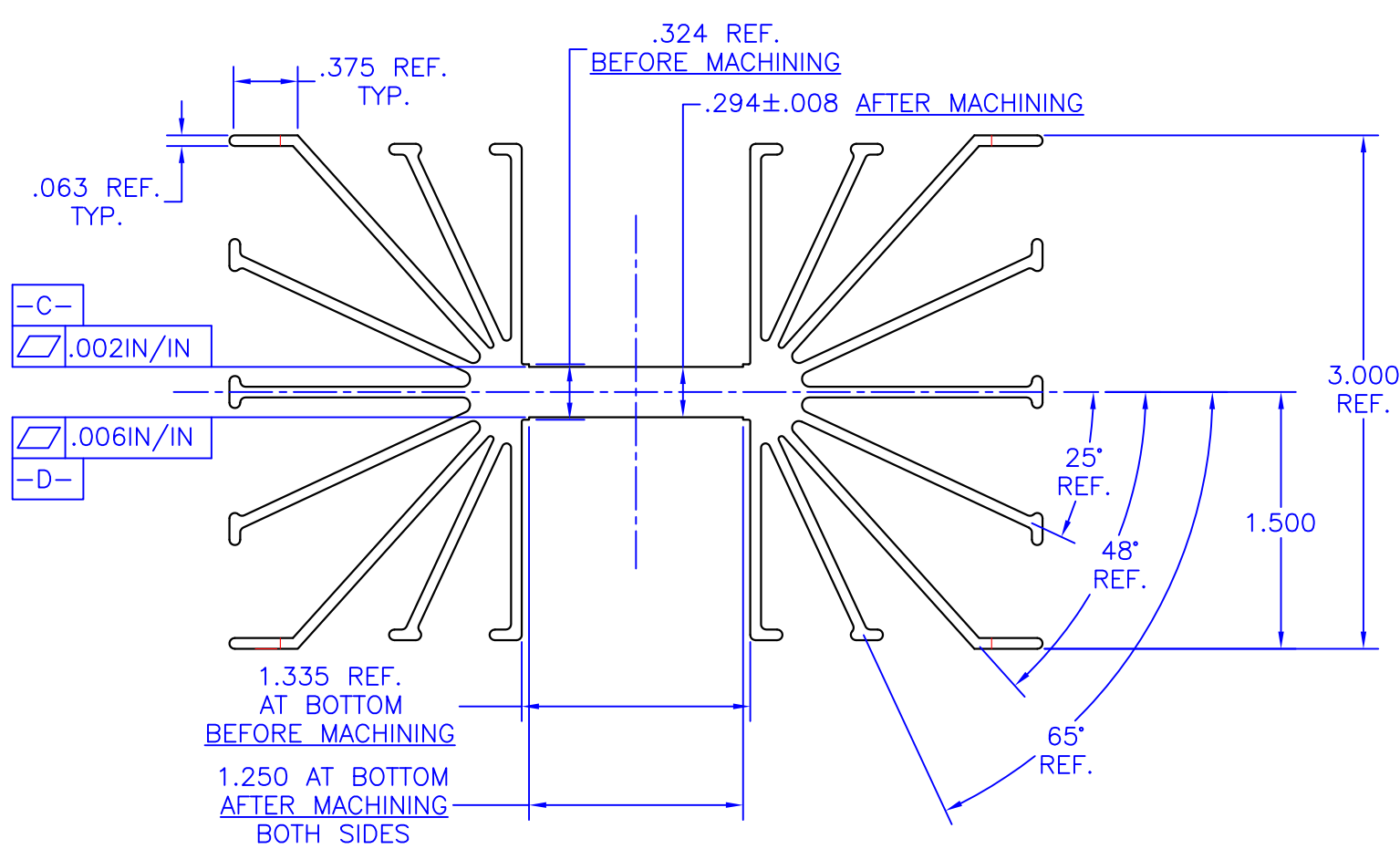


8 7 6 5 4 3 2 1

E
D
C
B
A



NOTES:

1. Unless otherwise noted, all dimensions are in inches.
2. Break all sharp edges, de-burr & remove loose chips.
3. Material: 6063-T5 aluminum (AAVID Thermalloy extrusion 60650)
4. Finish: Anodize per MIL-A-8625, Type II, Class 2, Black
Typical breakdown voltage > 300V
5. Mark with contrasting ink as shown, if specified by P.O.
6. Approximate Weight: 11.6 oz [329g]
7. Thermal rating: 0.95 °C/W

TOLERANCES - UNLESS OTHERWISE SPECIFIED .XX = ±.01 [254] .XXX = ±.005 [127] ANG. = ±5°	TITLE: HEATSINK, TO-3		MODEL: HS04
	SUBJECT: MECHANICAL DRAWING		
	ENGINEER: D-M	DRAWN BY: RMOR	DATE: 13556
APEX TECHNOLOGY		REV: 1 OF 1	DATE: 15OCT13

8 7 6 5 4 3 2 1

Mouser Electronics

Authorized Distributor

Click to View Pricing, Inventory, Delivery & Lifecycle Information:

[Apex Microtechnology:](#)

[HS04](#)