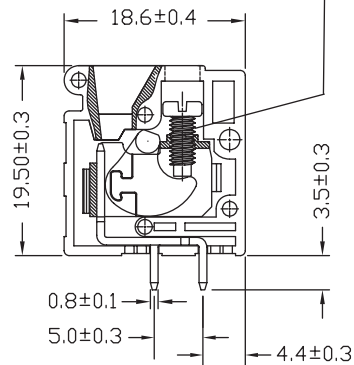
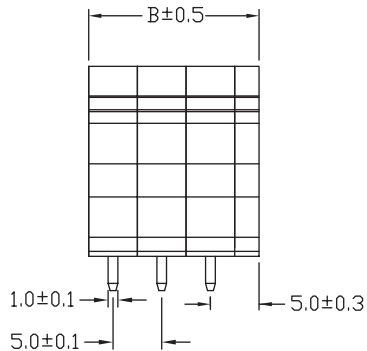


PCB LAYOUT - COMPONENT VIEW



Pitch : 5.00mm (0.197inch)

| Poles | A(mm) | A(inch) | Poles | A(mm)  | A(inch) |
|-------|-------|---------|-------|--------|---------|
| 2     | 12.50 | 0.492   | 15    | 77.50  | 3.051   |
| 3     | 17.50 | 0.689   | 16    | 82.50  | 3.248   |
| 4     | 22.50 | 0.886   | 17    | 87.50  | 3.445   |
| 5     | 27.50 | 1.083   | 18    | 92.50  | 3.642   |
| 6     | 32.50 | 1.280   | 19    | 97.50  | 3.839   |
| 7     | 37.50 | 1.476   | 20    | 102.50 | 4.035   |
| 8     | 42.50 | 1.673   | 21    | 107.50 | 4.232   |
| 9     | 47.50 | 1.870   | 22    | 112.50 | 4.429   |
| 10    | 52.50 | 2.067   | 23    | 117.50 | 4.626   |
| 11    | 57.50 | 2.264   | 24    | 122.50 | 4.823   |
| 12    | 62.50 | 2.461   |       |        |         |
| 13    | 67.50 | 2.657   |       |        |         |
| 14    | 72.50 | 2.854   |       |        |         |

TECHNICAL CHARACTERISTICS

MATERIAL  
 INSULATOR: PA 66  
 FLAMABILITY RATING: UL94-V0  
 COLOR: GREEN  
 METAL HOUSING: STEEL ZINC PLATING  
 CONTACT PIN: BRASS (CuZn)  
 SURFACE OF SOLDER TAIL PLATING: TIN  
 TERMINAL SCREW: STEEL ZINC PLATING  
 TERMINAL SCREW SLOT TYPE: "+"  
 WIRE GUARD: STEEL ZINC PLATING

ENVIRONMENTAL  
 OPERATING TEMPERATURE: -40 UP TO 105°C  
 COMPLIANCE: LEAD FREE AND ROHS

ELECTRICAL  
 CURRENT RATING: 20A  
 WORKING VOLTAGE: 300VAC  
 WITHSTANDING VOLTAGE: 2.0KV  
 CONTACT RESISTANCE: 20 mOhm max

STANDARD  
 CERTIFIED E315414 / Model number 69112770

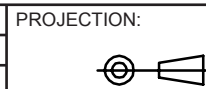
MECHANICAL  
 SOLID WIRE: 30-12 AWG / 0.05-3.3MM<sup>2</sup>  
 STRANDED WIRE: 30-12 AWG / 0.05-3.3MM<sup>2</sup>  
 TORQUE: 4.0Lb-In / 0.45Nm

WIRE STRIPE LENGTH: 9MM  
 PITCH: 5.00MM

PACKAGING: BOX

SERIE 127B

|                |           |                 |    |
|----------------|-----------|-----------------|----|
| RoHS Compliant |           |                 |    |
| G              |           |                 |    |
| F              |           |                 |    |
| E              |           |                 |    |
| D              |           |                 |    |
| C              | 17-JUL-14 | DRAWING         | AS |
| B              | 27-NOV-12 | Part N° (B add) | QL |
| A              | 20-JUN-12 | PDF             | GG |
| REV            | DATE      | FILE            | BY |



GENERAL TOLERANCE  
 .X = +/- 0.2  
 .XX = +/- 0.15



APPROVAL: RJ

UNIT: MM  
 SCALE:  
 SHEET: 1/1  
 DRAW: MARVIN

DESCRIPTION: SERIE 127B - 5,0mm Vertical Entry with Stamping Clamp  
 WERI PART NO: 691 127 700 0xx B

SIZE  
**A4**

# Mouser Electronics

Authorized Distributor

Click to View Pricing, Inventory, Delivery & Lifecycle Information:

[Wurth Elektronik:](#)

[691127700002B](#)