

Customer Information Sheet

DRAWING No.: M80-511XXXX

SHEET 2 OF 2

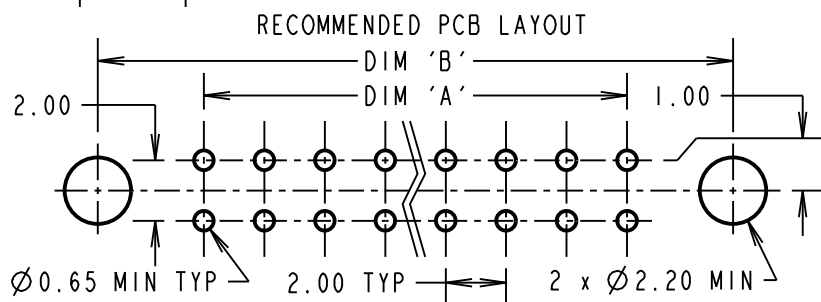
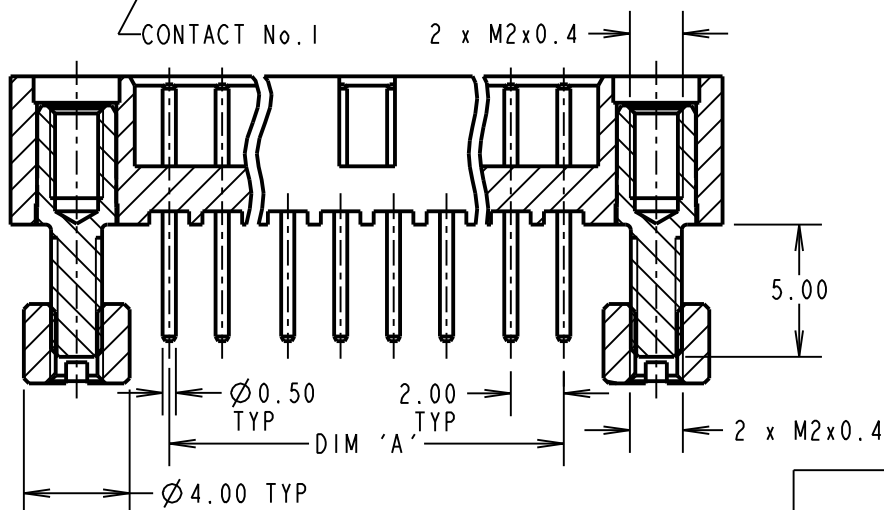
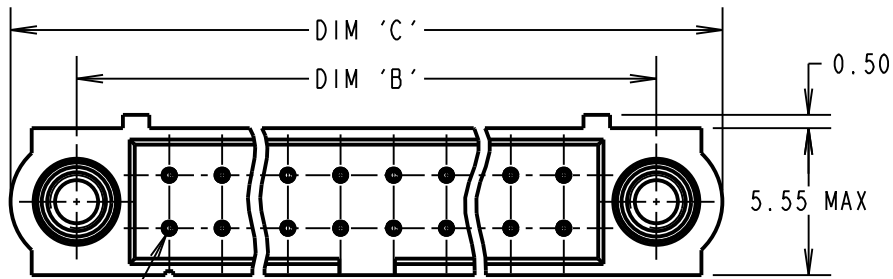
IF IN DOUBT - ASK

©

NOT TO SCALE

THIRD ANGLE PROJECTION

ALL DIMENSIONS IN mm



ORDER CODE:

M80-511XXXX

TOTAL No. OF CONTACTS
04 TO 50
(EVEN NUMBERS ONLY)

FINISH

- 05 - GOLD
- 22 - SELECTIVE GOLD + TIN/LEAD
- 42 - SELECTIVE GOLD + 100% TIN

SPECIFICATIONS:

MATERIAL:

- MOULDING = GLASS-FILLED PPS, UL94V-0, BLACK
- CONTACT = PHOSPHOR BRONZE
- JACKSCREW = STAINLESS STEEL
- FINISH (CONTACTS):
- 05 = 0.75µ GOLD
- 22 = 0.75µ GOLD ON CONTACT AREA, 3µ 90/10 TIN/LEAD ON TAILS
- 42 = 0.75µ GOLD ON CONTACT AREA, 3µ 100% TIN ON OVER NICKEL TAILS

ELECTRICAL:

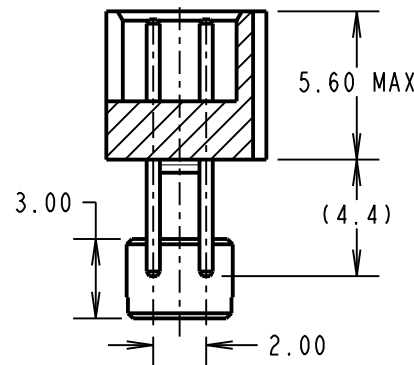
- CURRENT RATING AT 25°C = 3.0A MAX
- CURRENT RATING AT 85°C = 2.2A MAX
- WORKING VOLTAGE = 800V AC/DC
- VOLTAGE PROOF = 1200V AC/DC
- CONTACT RESISTANCE = 25 mΩ MAX
- INSULATION RESISTANCE = 100 MΩ MIN

MECHANICAL:

- DURABILITY = 500 OPERATIONS
- ENVIRONMENTAL:
- TEMPERATURE RANGE = -55°C TO +125°C

PACKING: TUBE

FOR COMPLETE SPECIFICATION, SEE COMPONENT SPEC C005XX (LATEST ISSUE)



DIMENSION	CALCULATION
DIM 'A'	TOTAL No. OF CONTACTS - 2
DIM 'B'	TOTAL No. OF CONTACTS + 5
DIM 'C'	TOTAL No. OF CONTACTS + 10
EXAMPLE: CONNECTOR WITH 20 CONTACTS, GOLD ON CONTACT AREA AND 100% TIN OVER NICKEL ON TAIL, M80-5112042.	
DIM 'A' = 18.00mm, DIM 'B' = 25.00mm, DIM 'C' = 30.00mm	

MGP	I	28.03.13	I1987
NAME	ISS.	DATE	C/NOTE
APPROVED: MGP			
CHECKED: SB			
DRAWN:		W. J. BOURNE	
CUSTOMER REF.:			
ASSEMBLY DRG:			

HARWIN

www.harwin.com
technical@harwin.com

THIS DRAWING AND ANY INFORMATION OR DESCRIPTIVE MATTER SET OUT HEREON ARE CONFIDENTIAL AND COPYRIGHT PROPERTY OF THE HARWIN GROUP AND MUST NOT BE DISCLOSED, LOANED, COPIED OR USED FOR MANUFACTURING, TENDERING OR FOR ANY OTHER PURPOSE WITHOUT THEIR WRITTEN PERMISSION.

TOLERANCES

- X. = ±1mm
- X.X = ±0.25mm
- X.XX = ±0.10mm
- X.XXX = ±0.01mm

ANGLES = ±5°
UNLESS STATED

MATERIAL:

SEE ABOVE

FINISH: SEE ABOVE

S/AREA: mm²

TITLE: DATAMATE J-TEK DIL VERT 4.5mm PC TAIL MALE ASSY WITH BOARD MOUNT

DRAWING NUMBER:

M80-511XXXX

SHT 2 OF 2

Mouser Electronics

Authorized Distributor

Click to View Pricing, Inventory, Delivery & Lifecycle Information:

Harwin:

[M80-5115022](#) [M80-5111022](#) [M80-5110622](#) [M80-5111422](#) [M80-5112622](#) [M80-5112022](#) [M80-5113442](#) [M80-5114422](#) [M80-5115042](#) [M80-5111042](#) [M80-5110642](#) [M80-5112642](#) [M80-5112042](#) [M80-5114242](#) [M80-5110422](#) [M80-5113422](#) [M80-5114222](#) [M80-5111222](#) [M80-5111242](#) [M80-5111822](#) [M80-5111842](#) [M80-5110442](#) [M80-5111642](#) [M80-5110842](#) [M80-5113805](#) [M80-5110405](#) [M80-5110605](#) [M80-5111005](#) [M80-5110822](#)