



Features:

- Motor: Brushless DC
- Motor Protection: Impedance Protected
- Bearing Type: Two Ball or Hydro Dynamic
- Connection: UL 1007 AWG 26, 300mm Wire Leads
- Frame Material: Plastic UL94V-0
- Impeller Material: Plastic UL94V-0
- Operating Temp:
Two Ball: -10°C~70°C
Hydro Dynamic: -10°C~70°C
- Life Expectancy:
Two Ball: 70,000 Hours
Hydro Dynamic: 50,000 Hours



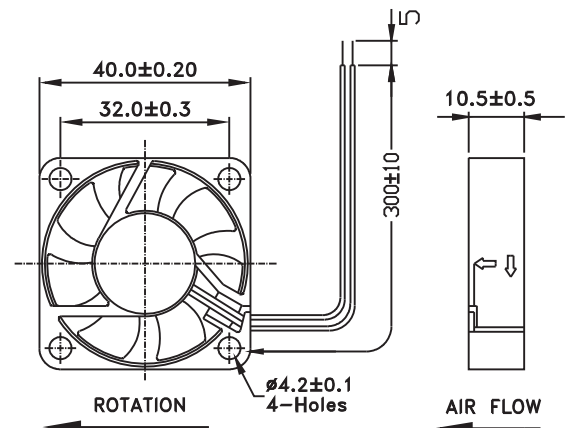
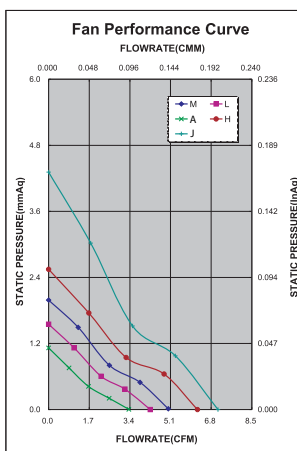
Fan-S Division



Model No.	Volt.	Current	Power	Rated Speed	Maximum AirFlow		Maximum Static Pressure		Noise Level	Weight
	(VDC)	(A)	(W)	(rpm)	(CMM)	(CFM)	(InAq)	(mmAq)	(dB/A)	(g)
FAD1-04010B * LW11	5	0.070	0.35	4200	0.119	4.200	0.060	1.524	21.0	17.0
FAD1-04010B * MW11	5	0.110	0.55	4800	0.142	5.000	0.078	1.981	22.0	17.0
FAD1-04010B * HW11	5	0.160	0.80	6000	0.175	6.200	0.100	2.540	26.0	17.0
FAD1-04010C * AW11	12	0.040	0.48	3300	0.093	3.300	0.044	1.117	14.0	17.0
FAD1-04010C * LW11	12	0.060	0.72	4200	0.119	4.200	0.060	1.524	21.0	17.0
FAD1-04010C * MW11	12	0.060	0.72	4800	0.142	5.000	0.078	1.981	22.0	17.0
FAD1-04010C * HW11	12	0.090	1.08	6000	0.175	6.200	0.100	2.540	26.0	17.0
FAD1-04010C * JW11	12	0.090	1.08	6800	0.198	7.000	0.170	4.318	29.0	17.0
FAD1-04010D * LW11	24	0.030	0.72	4200	0.119	4.200	0.060	1.524	21.0	17.0
FAD1-04010D * MW11	24	0.040	0.96	4800	0.142	5.000	0.078	1.981	22.0	17.0
FAD1-04010D * HW11	24	0.060	1.44	6000	0.175	6.200	0.100	2.540	26.0	17.0

* Indicates "B" (Ball Bearing), or "H" (Hydro Dynamic)

Noise is measured at the distance of one (1) meter from the axis of intake.



Mouser Electronics

Authorized Distributor

Click to View Pricing, Inventory, Delivery & Lifecycle Information:

Qualtek:

[FAD1-04010BBAW11](#) [FAD1-04010BBHW11](#) [FAD1-04010BBJW11](#) [FAD1-04010BBLW11](#) [FAD1-04010BBMW11](#)
[FAD1-04010BHAW11](#) [FAD1-04010BHHW11](#) [FAD1-04010BHJW11](#) [FAD1-04010BHLW11](#) [FAD1-04010BHMW11](#)
[FAD1-04010BSAW11](#) [FAD1-04010BSHW11](#) [FAD1-04010BSJW11](#) [FAD1-04010BSLW11](#) [FAD1-04010BSMW11](#)
[FAD1-04010CBAW11](#) [FAD1-04010CBHW11](#) [FAD1-04010CBJW11](#) [FAD1-04010CBLW11](#) [FAD1-04010CBMW11](#)
[FAD1-04010CHAW11](#) [FAD1-04010CHHW11](#) [FAD1-04010CHJW11](#) [FAD1-04010CHLW11](#) [FAD1-04010CHMW11](#)
[FAD1-04010CSAW11](#) [FAD1-04010CSHW11](#) [FAD1-04010CSJW11](#) [FAD1-04010CSLW11](#) [FAD1-04010CSMW11](#)
[FAD1-04010DBAW11](#) [FAD1-04010DBHW11](#) [FAD1-04010DBJW11](#) [FAD1-04010DBLW11](#) [FAD1-04010DBMW11](#)
[FAD1-04010DHAW11](#) [FAD1-04010DHHW11](#) [FAD1-04010DHJW11](#) [FAD1-04010DHLW11](#) [FAD1-04010DHMW11](#)
[FAD1-04010DSAW11](#) [FAD1-04010DSHW11](#) [FAD1-04010DSJW11](#) [FAD1-04010DSLW11](#) [FAD1-04010DSMW11](#)