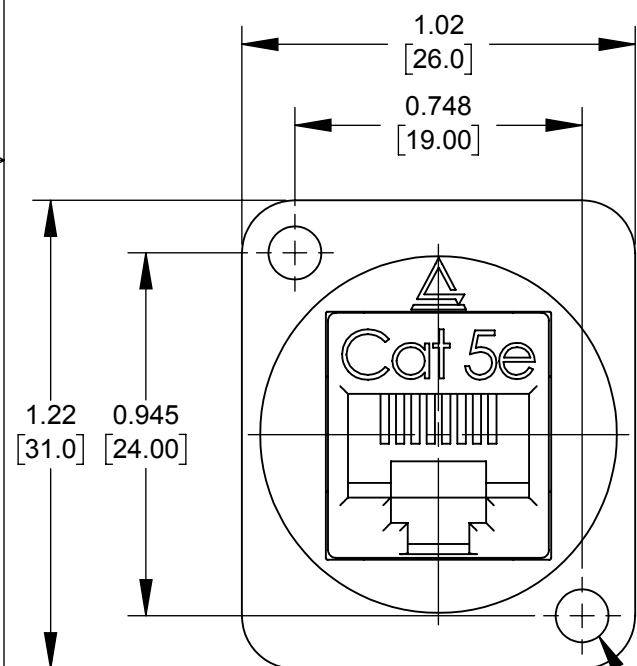
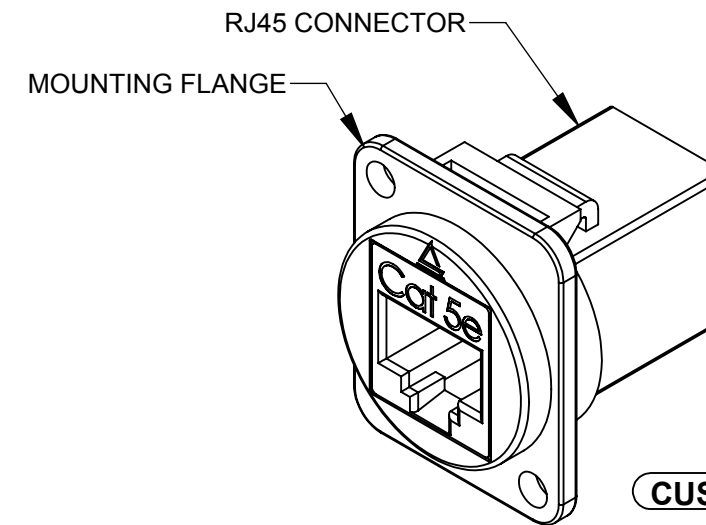
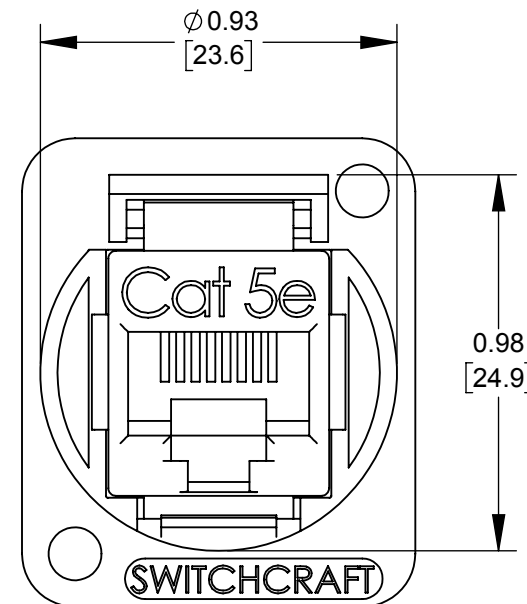
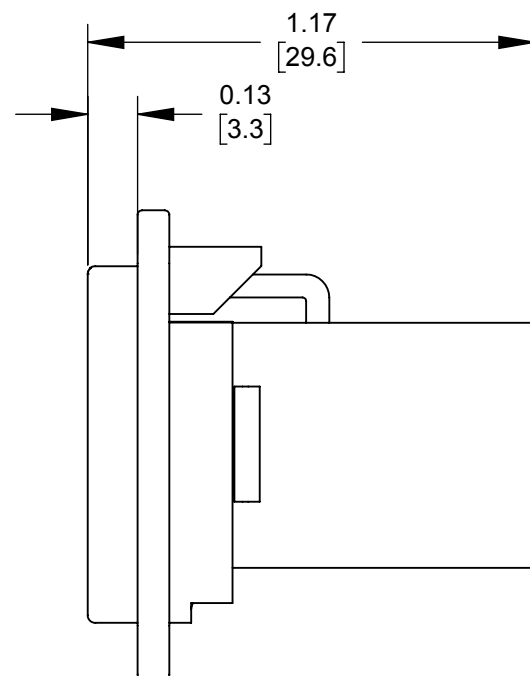


EHRJ45D5E
SHOWN



MOUNTING HOLE (2) PLACES
SEE TABLE



CUSTOMER DRAWING

PART NUMBER	MOUNTING FLANGE FINISH	MOUNTING HOLE
EHRJ45D5E	NICKEL	Ø0.138 [3.50] THRU-HOLE
EHRJ45D5EB	BLACK CHROME	Ø0.138 [3.50] THRU-HOLE
EHRJ45D5E440	NICKEL	#4-40 THREAD
EHRJ45D5EB440	BLACK CHROME	#4-40 THREAD
EHRJ45D5EM3	NICKEL	M3 X 0.5 THREAD
EHRJ45D5EBM3	BLACK CHROME	M3 X 0.5 THREAD

NOTES:

- SHIPPED ASSEMBLED WITHOUT PANEL MOUNTING HARDWARE. ADD "PKG" SUFFIX TO INCLUDE MOUNTING SCREWS AND INDIVIDUAL PACKAGING.
- MATERIALS:
MOUNTING FLANGE - ZINC ALLOY, SEE TABLE FOR FINISH
RJ45 BODY - THERMOPLASTIC, BLACK
RJ45 CONTACTS - COPPER ALLOY, GOLD PLATED
- SPECIFICATIONS:
RJ45 CONNECTOR MEETS TIA/EIA-568 STANDARD.
PHYSICAL CHARACTERISTICS
INSERTION LIFE: 750 MATING CYCLES WITH FCC PLUG
OPERATING TEMP: -10°C TO +60°C (14°F TO +140°F)
ELECTRICAL
INSULATION RESISTANCE: 500MOHM
DIELECTRIC WITHSTANDING VOLTAGE: 1000V
DC CURRENT RATING: 1.5 AMPS
DC RESISTANCE: 0.1OHM
CONTACT RESISTANCE: 20mOHM
- THESE PRODUCTS ARE RoHS COMPLIANT.

REV	ECO NUMBER	DATE	BY	APVD
0A	CREATED FOR PDR 18006	6/21/19	JGK	*
REVISIONS				

UNLESS OTHERWISE SPECIFIED
1. ALL DIMENSIONS IN INCHES [mm]
- TWO PLACE DECIMALS ±0.02 [0.5]
- THREE PLACE DECIMALS ±0.005 [0.13]

DO NOT SCALE DRAWING

THIS DRAWING DESCRIBES A DESIGN CONSIDERED PROPRIETARY IN NATURE, DEVELOPED AND MANUFACTURED BY SWITCHCRAFT INC. AND IS RELEASED ON A CONFIDENTIAL BASIS FOR IDENTIFICATION PURPOSES ONLY.										
SIZE	WIDTH	MULT	LBS/M	TEMPER						
FINISH					MATERIAL					
SPEC No.					SPEC No.					
FIRST USED ON				SCALE						
				2:1						
DATE DRAWN	BY	CHKD	APVD							
6/21/19	JGK	JGK	TJK							
			7/10/19	7/10/19						
NAME									PART No.	REV
METAL FLANGE, REAR MOUNT RJ45, CAT5E CONNECTOR, UNSHIELDED, RoHS									EHRJ45D5E SERIES	0A

Mouser Electronics

Authorized Distributor

Click to View Pricing, Inventory, Delivery & Lifecycle Information:

[Switchcraft:](#)

[EHRJ45D5EM3](#) [EHRJ45D5EBM3](#) [EHRJ45D5EB](#) [EHRJ45D5E440](#) [EHRJ45D5E](#) [EHRJ45D5EB440](#)