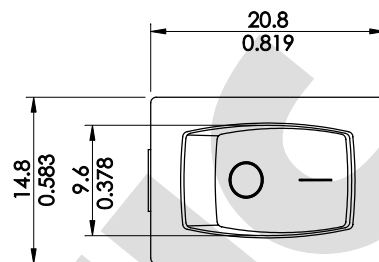
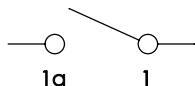


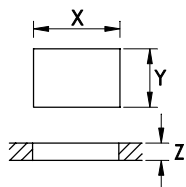
本圖面若與目錄之規格尺寸不符，以本圖面規格尺寸為主。  
Below is our main specification if different from catalog.

RoHS compliant

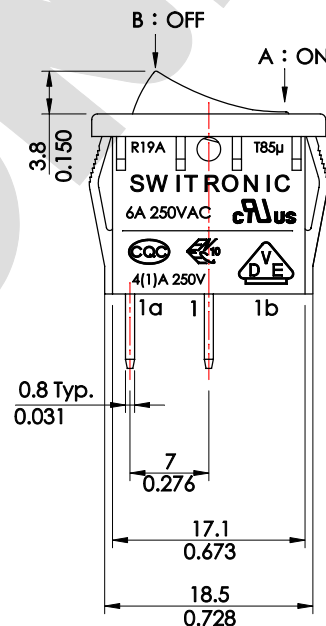
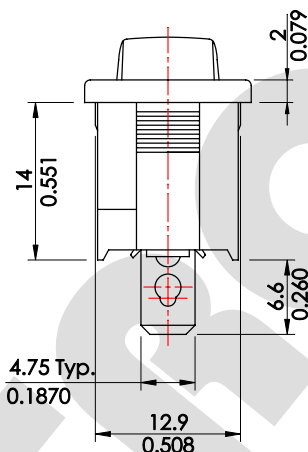
CIRCUIT SPST



POLE FUNCTION	OPTIONS OF FUNCTION		
	A	—	B
SPST	1-1a	—	OFF



PANEL CUT-OUT		
Z	Y	X
0.70~1.25 0.028~0.049	12.9~13.1 0.508~0.516	19.2~19.3 0.756~0.760
1.25~2.0 0.049~0.079	12.9~13.1 0.508~0.516	19.3~19.4 0.760~0.764
2.0~3.0 0.079~0.118	12.9~13.1 0.508~0.516	19.5~19.6 0.768~0.772



MARKING refer to our catalog RoHS compliant

R19A-1XXXXT-G

RATING		HOUSING COLOR	ROCKER COLOR
0	2A	B Black	B Black
2	6A	W White	W White
5	8A	G Gray	G Gray
		R Red	R Red
		Y Yellow	Y Yellow
		GN Green	GN Green



**SPECIFICATION**

**Rating:** 6A 250V AC(UL / CUL / VDE / ENEC10).  
**Function:** ON-OFF.  
**Contact resistance:** <20mΩ.(initial)  
**Insulation resistance:** >1,000MΩ(500V DC between open contacts).  
**Withstand voltage:** >1,500V DC for 1 minute.  
**Minimum load:** 100mA 10V DC.(reference only)  
**Mechanical life:** >30,000 Cycles.  
**Electrical life:** >10,000 Cycles.  
**Temperature raised at the terminal:** 30°C Max.  
**When proceed with soldering, please pay attention to following:**  
 For manual soldering method, must use 30W soldering iron and complete the operation under 350°C within 3 seconds. For dip soldering method, must complete the operation within 3 seconds with the temperature of 280°C.  
**Note:** Unwashable, don't be immersed by epoxy and organic solvent.

V2.2	△		
V2.1	無	改版	2011.01.05
V2.0	無	新繪製	2006.05.16
版本 VER.	符號 SYMBOL	修改內容 ALTERATION	更新日期 DATE

產品 PRODUCT		Rocker Switch		型號 MODEL NO.		R19A-12BBBT-G	
比例 SCALE	2 : 1	單位 UNIT	mm	<b>SWITRONIC</b> INDUSTRIAL CORP. <b>Switches</b>			
公差 TOLERANCE	.X=0.4mm .XX=0.25mm ±.XXX=0.016in .XXXX=0.0098in						
製圖 DRAWN BY	核圖 CHECKED BY	主管 APPROVED BY					
Johnny Chang	Nail Chen	Margaret Lee		一綺電子企業股份有限公司 總公司：110 台北市信義路四段415號13樓之3 13F-3 NO. 415, SEC. 4, HSIN YI ROAD, TAIPEI, TAIWAN TEL : 886-2-27290229(Rep.) FAX : 886-2-27582086 URL : http://www.switronic.com.tw E-MAIL : switches@ms36.hinet.net			