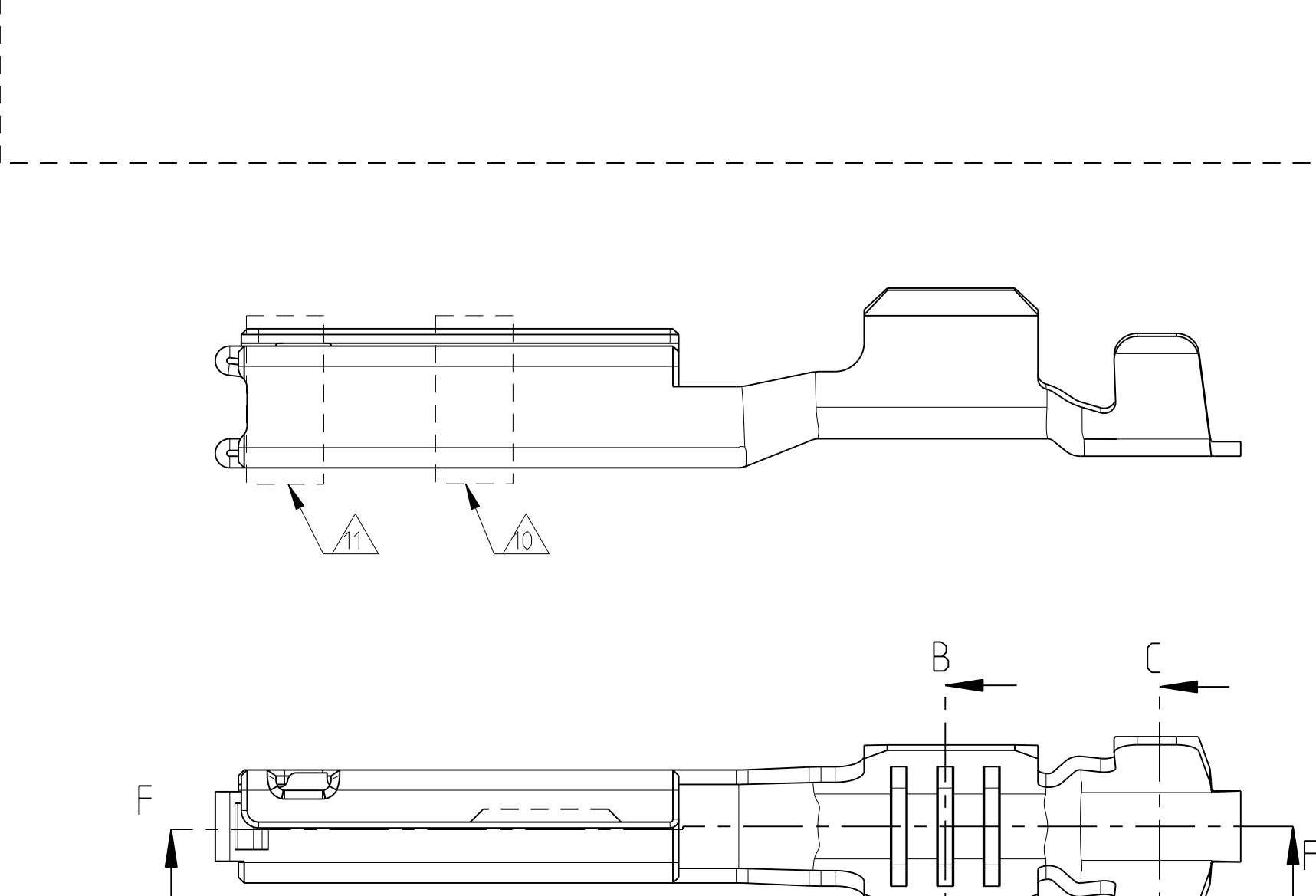
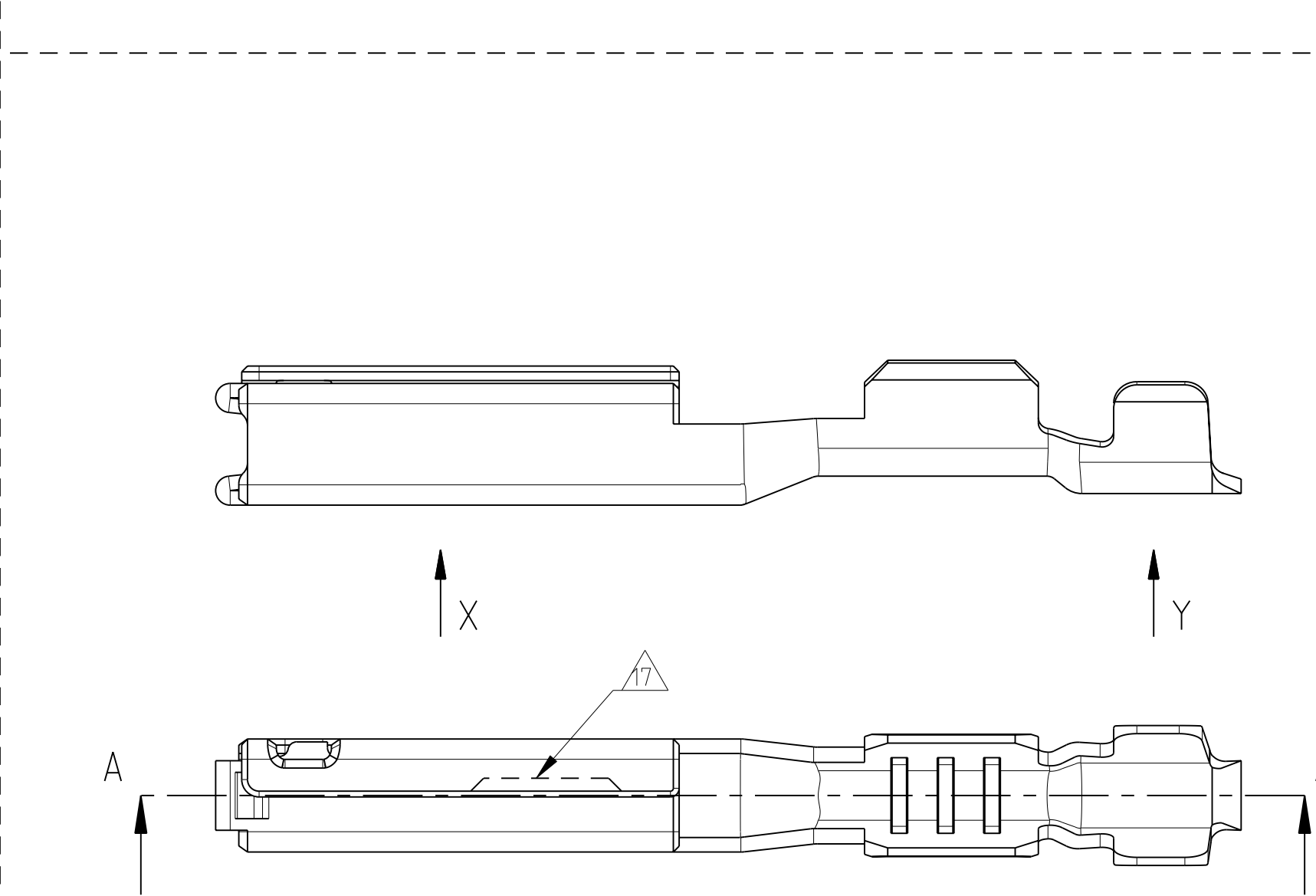
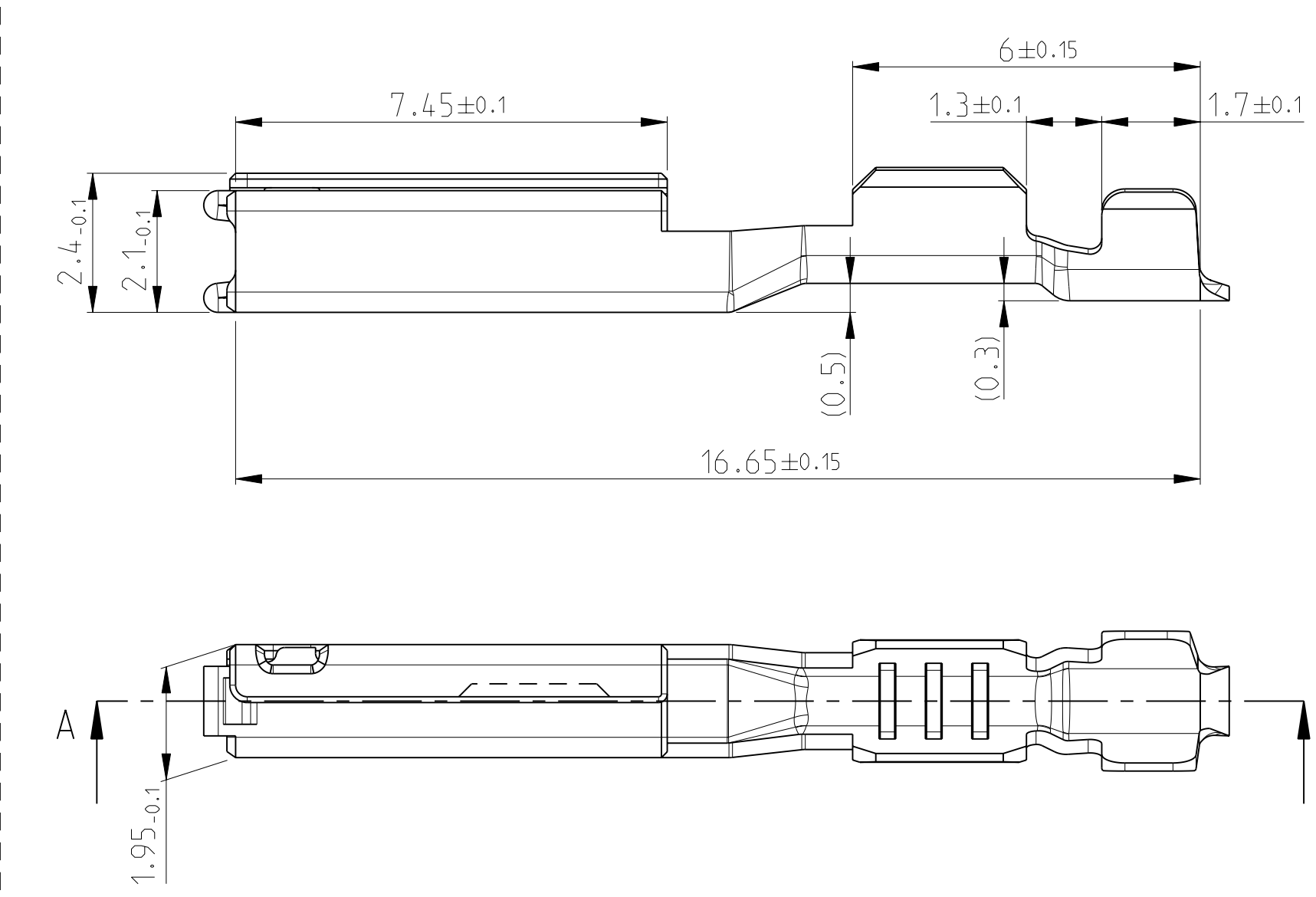


TABLE 1: TERMINAL CRIMP & GRIP REFERENCE TABLE.

TE PART NO.	PART-REV.	PLATING SPECIFICATION	WEIGHT	CONDUCTOR WIRE SIZE	DIMENSIONS					CONDUCTOR CRIMP INFO	INSULATION CRIMP INFO	MATERIAL TYPE	
					A1	A2	R1	R2	GRIP SIZE				
0-1393364-1	A	GOLD PLATING $\Delta_{10}$	0.22g	0.22	2.11	2.4	0.45	0.6	A	SEE TE SPEC 114-13060	CuNi35SiMg DIN 1777		
0-1393364-2		GOLD PLATING $\Delta_{11}$		0.35	2.11	2.4	0.45	0.6	A				
0-1393367-2	A	SILVER PLATING $\Delta_{12}$	0.22	2.11	2.4	0.45	0.6	A					
			0.35	2.11	2.4	0.45	0.6	A					
0-1393367-1	B	TIN PLATING	0.22g	0.22	2.11	2.4	0.45	0.6	A				
				0.35	2.11	2.4	0.45	0.6	A				
0-1393365-1	A	GOLD PLATING $\Delta_{10}$	0.22g	0.22	2.8	3.1	0.6	0.2	B				
0-1393365-2				0.50	2.8	3.1	0.6	0.2	B				
		GOLD PLATING $\Delta_{11}$		0.75	2.8	3.1	0.6	0.2	B				
					0.22	2.8	3.1	0.6	0.2			B	
0-1393366-2	A	SILVER PLATING $\Delta_{12}$	0.22g	0.22	2.8	3.1	0.6	0.2	B				
				0.50	2.8	3.1	0.6	0.2	B				
				0.75	2.8	3.1	0.6	0.2	B				
				0.22	2.8	3.1	0.6	0.2	B				
				0.50	2.8	3.1	0.6	0.2	B				
				0.75	2.8	3.1	0.6	0.2	B				



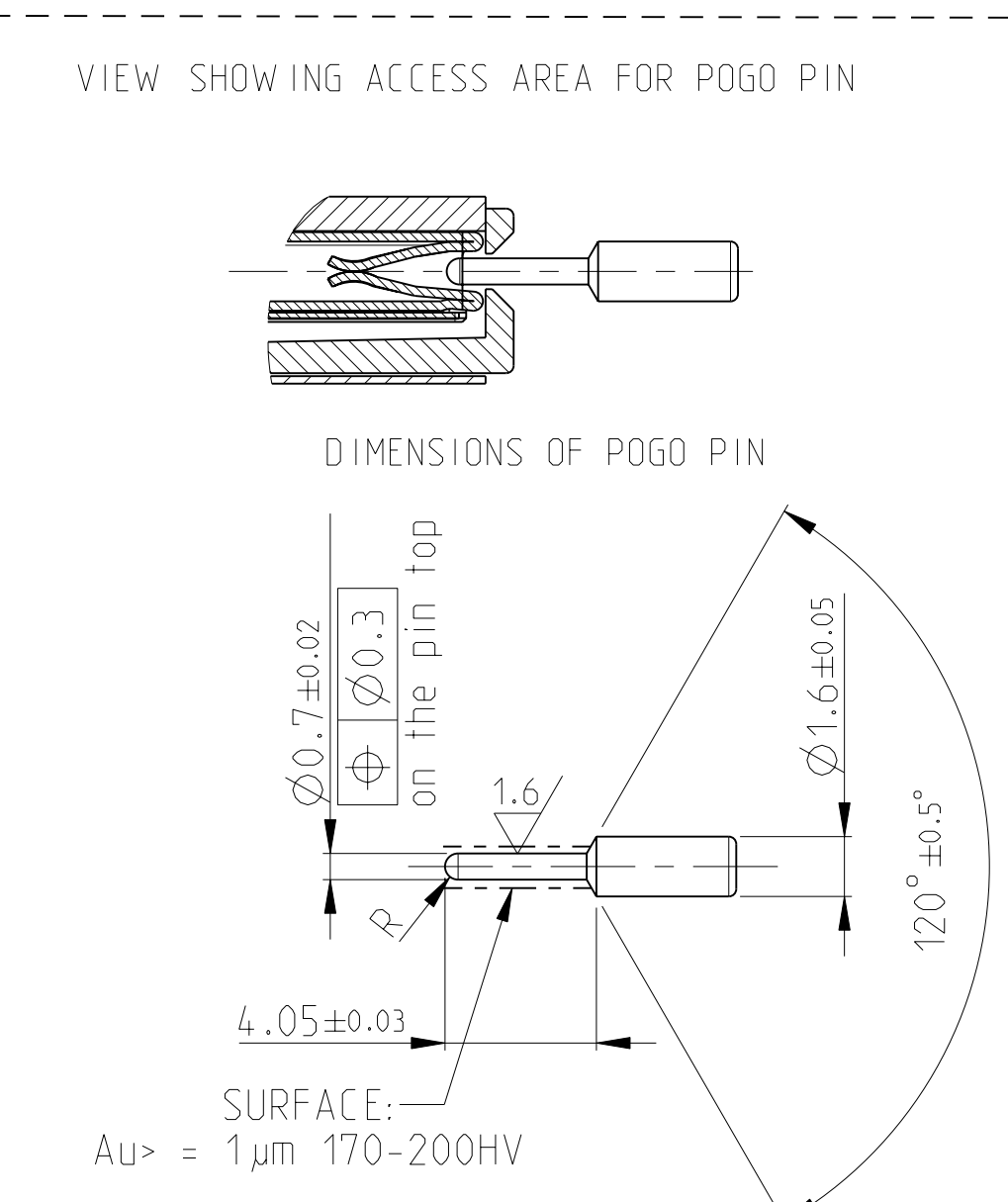
TIN-VERSION

SILVER-VERSION

GOLD-VERSION

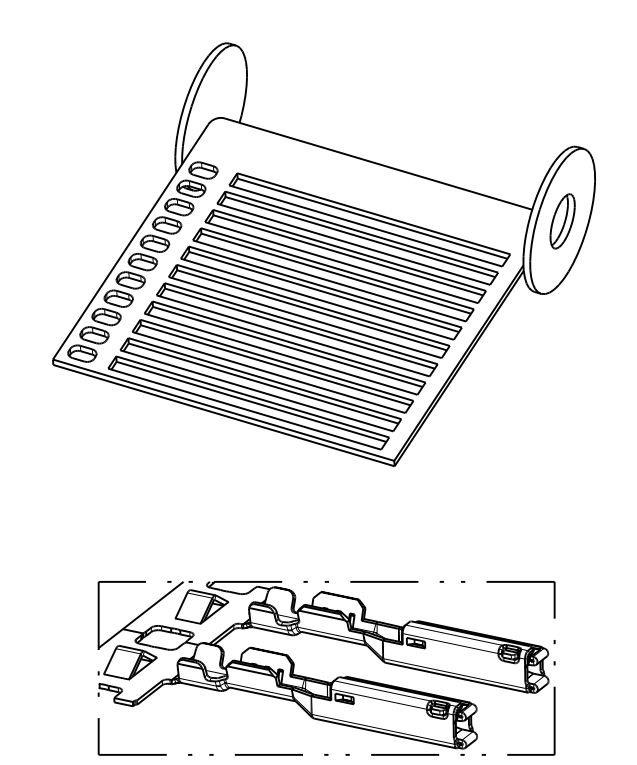
LOC	DIST	REV	DATE	BY	CHK	APPD
A1	-	B2	23MAY08	VS	GS	
		B3	30JUN09	HM	GS	

- NOTES:
- MATERIAL: COPPER ALLOY. MATERIAL THICKNESS  $t=0.25\pm0.01$
  - MUST BE FREE OF CRACKS AND BURRS THAT AFFECT FUNCTIONS.
  - WHEN A TIN/GOLD PLATED TERMINAL IS USED ON THE MALE SIDE THEN THE CORRESPONDING PLATING (TIN OR GOLD) MUST BE USED ON THE FEMALE TERMINAL.
  - 
  - 0.2 mm MAX RADIUS PERMISSIBLE ON EDGES AND FILLETS SHOWN AS SHARP FOR STAMPING PARTS.
  - 
  - LUBRICATION: OPTIMOL
  - THE WIDTH OF THE TRANSITION (INDICATED AREA) MAY NOT EXCEED 2.0MM
  - TE-CRIMP SPECIFICATION: 114-13060
  - $\Delta_{10}$  Au FLASH STRIPE ALL ROUND TO IDENTIFICATE Au VERSION
  - $\Delta_{11}$  GOLD PLATING ( $\approx 0.38 \mu\text{m}$  AU) FOR GOLD SHORTING BAR APPLICATIONS VALID FOR 1393364-2 AND 1393365-2 ONLY
  - $\Delta_{12}$  SILVER PLATING 3-5  $\mu\text{m}$  (CONTACT AREA ONLY)
  - $\Delta_{13}$  TARNISH FOR SILVER VERSION
  - $\Delta_{14}$  SILVER FLASH
  - $\Delta_{15}$  SILVER MARKING
  - $\Delta_{16}$  ALTERNATE LOGO "TE" OR "T" IS ALLOWED
  - $\Delta_{17}$  OPTIONAL NOTCH DESIGN ALLOWED



SPRING LOAD IN WORKING POSITION = 1.5N

REELING DIRECTIONS FOR REFERENCE ONLY



DIMENSIONS:		TOLERANCES UNLESS OTHERWISE SPECIFIED:		DWN: B. VAN SEBROECK		05FEB01		Tyco Electronics AMP GmbH	
mm		PLC ±		CHK: G. STEINBACH		05FEB01		6425 Bensheim (Germany)	
MATERIAL: -		FINISH: -		APVD: G. MUMPER		05FEB01		NAME: GET FEMALE TERMINAL GET BUCHSEN KONTAKT	
-		-		APPLICATION SPEC: 114-13060		-		SIZE: CAGE CODE: DRAWING NO: 100779 C=1393364	
-		-		WEIGHT: SEE TABLE		-		RESTRICTED TO: -	
-		-		CUSTOMER DRAWING		-		SCALE: 10:1 SHEET 1 OF 1 REV: B3	