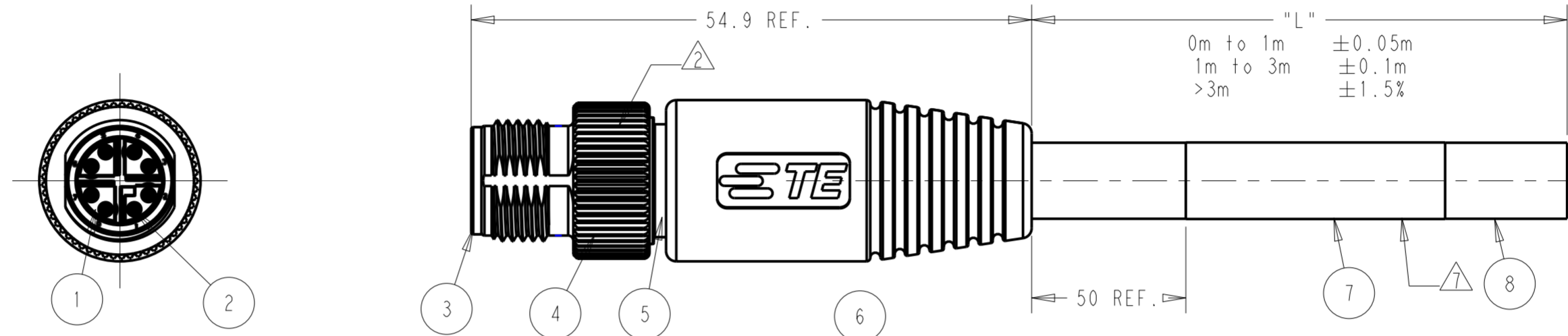


© 2020 TE Connectivity. All Rights Reserved.

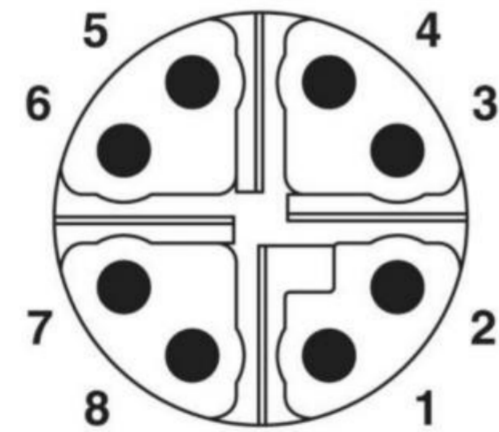
REVISIONS

8	CABLE CAT6A TPE	TPE JACKET	TEAL
	CABLE CAT6A PUR	PUR JACKET	GREEN
	CABLE CAT6A PVC	PVC JACKET	GREEN
7	LABLE	-	-
	OVERMOLD FOR TPE CABLE ASSEMBLY	TPU	BLACK
	OVERMOLD FOR PUR CABLE ASSEMBLY	TPU	BLACK
	OVERMOLD FOR PVC CABLE ASSEMBLY	PVC	BLACK
5	SHEATH BODY	ZINC ALLOY	TIN
4	COUPLING RING	ZINC ALLOY	NICKEL
3	CROSS SHIELDING	ZINC ALLOY	NICKEL
2	CONTACT	COPPER ALLOY	FLASH GOLD
1	INSERT HOUSING	NYLON	BLACK
ITEM	DESCRIPTION	MATERIAL	COMMENT

P	LTR	DESCRIPTION	DATE	DWN	APVD
	A	INITIAL RELEASE	02DEC2020	G.W	C.W



M12 X-CODE MALE PIN ASSIGNMENT



CIRCUIT DIAGRAM

M12 MALE

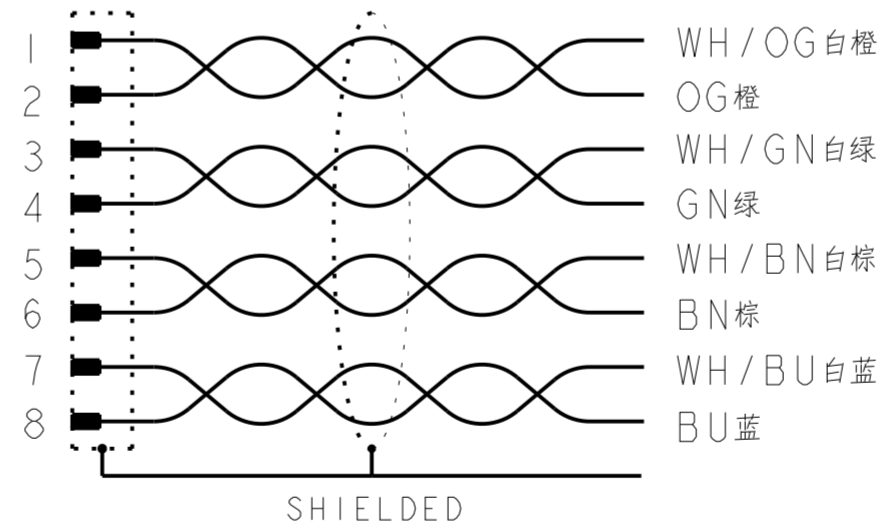


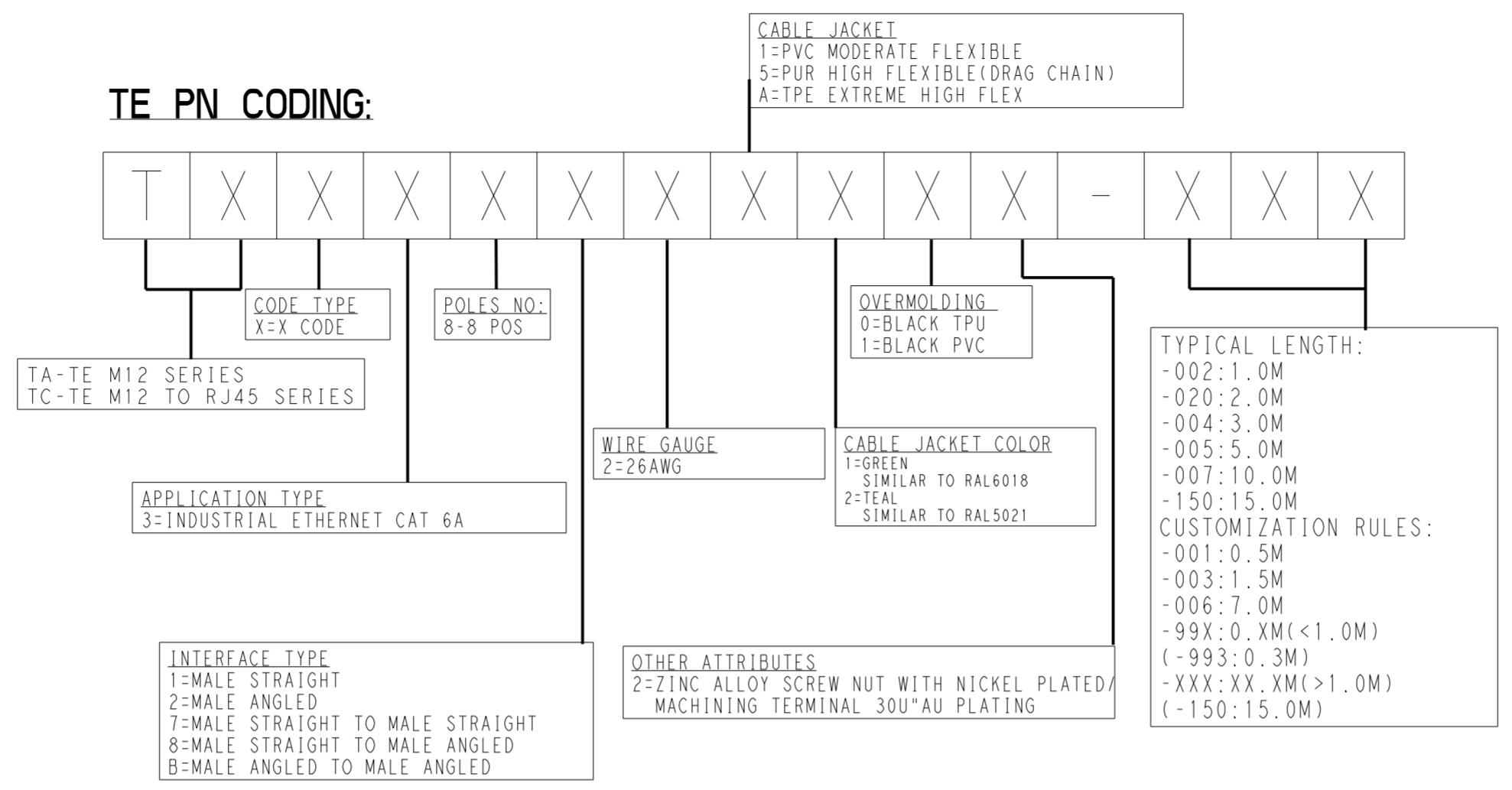
TABLE 1

TRANSMISSION	CAT6A
RATED VOLTAGE	30V MAX
RATED CURRENT	0.5A MAX
CONTACT RESISTANT	15mΩ Max
INSULATION WITHSTAND	100MΩ Min
PROTECTION	IP67(MATED)

THIS DRAWING IS A CONTROLLED DOCUMENT.		DWN 09DEC2020 GAVIN WANG	TE Connectivity
DIMENSIONS: mm		CHK 20NOV2020 KEVIN HUANG	
TOLERANCES UNLESS OTHERWISE SPECIFIED:		APVD 20NOV2020 CHRIS WANG	
0 PLC ±-		PRODUCT SPEC	NAME M12 X-CODE STRAIGHT, MALE, SHIELDED
1 PLC ±0.5		108-137538	
2 PLC ±0.13		APPLICATION SPEC	SIZE A2 CAGE CODE 00779 DRAWING NO. TAX3812XXX2XXX
3 PLC ±0.013		114-137538	
4 PLC ±0.0001		WEIGHT -	RESTRICTED TO
ANGLES ±-		CUSTOMER DRAWING; RESTRICTED CUSTOMER	SCALE 2:1 SHEET 1 OF 2 REV A
FINISH -			

REVISIONS				
P	LTR	DESCRIPTION	DATE	APVD
		SEE SHEET 1		

TE PN CODING:



- NOTE:**
1. TECHNICAL DATA:SEE TABLE 1
 2. TYPICAL HAND TIGHENED TORQUE IS 0.4 Nm
 3. -** :CABLE LENGTH, FOR EXAMPLE:-1.0M
 4. CABLE ASSEMBLY TO BE PACKAGED AS PACKAGING SPECIFICATION.
 5. TEMPERATURE RANGE:-25°C~80°C(MOVED)
-40°C~80°C(FIXED)
 6. TRANSMISSION CHARACTERISTICS: Ethernet CAT 6A, 10 Gbps
3. LABEL CONTAINS: PN, DATE CODE...

- 注释:**
1. 技术参数:参考表 1
 2. 标准手拧扭矩0.4 Nm
 3. -** :线缆长度 例如:1.0M
 4. 线缆组件按照包装规范包装;
 5. 工作温度:-25°C~80°C(MOVED)
-40°C~80°C(FIXED)
 6. 传输特性:CAT 6A,10Gbps
3. 标签包含: 产品编号, 日期代码...

WIRES: 26AWGX4P WIRES COLOR: SEE ABOVE PIN ASSIGNMENT OD: APPROX.7.45MM TEMPERATURE RAING: DRAG CHAIN TEST: 1.0MILLION CYCLES MIN. (R=75MM,V=2M/S,A=2M/S ²) TORSION REST:3 MILLION MIN.	TYPICAL LENGTH: -002:1.0M -020:2.0M -004:3.0M -005:5.0M -007:10.0M -150:15.0M	M12带TPE线X型直型8针公插X.XM	RPC-M12X-MS-8CON-TPE-**SH	8	TAX3812A202-XXX
WIRES: 26AWGX4P WIRE COLOR: SEE ABOVE PIN ASSIGNMENT OD: APPROX.7.25MM DRAG CHAIN TEST: 3.0MILLION CYCLES MIN. (R=100MM,V=2M/S,A=2M/S ²)	CUSTOMIZATION RULES: -001:0.5M -003:1.5M -006:7.0M -99X:0.XM(<1.0M) (-993:0.3M) -XXX:XX.XM(>1.0M) (-150:15.0M)	M12带PUR线X型直型8针公插X.XM	RPC-M12X-MS-8CON-PUR-**SH	8	TAX38125102-XXX
WIRES: 26AWGX4P WIRE COLOR: SEE ABOVE PIN ASSIGNMENT OD: APPROX.6.7MM FOR 4P		M12带PVC线X型直型8针公插X.XM	RPC-M12X-MS-8CON-PVC-**SH	8	TAX38121112-XXX
CABLE CHARACTERISTIC 线缆特性	LENGTH "L"(M) 长度"L"(米)	DESCRIPTION 描述	TYPE 型号	POS.	TE PN TE 料号

THIS DRAWING IS A CONTROLLED DOCUMENT.

DIMENSIONS: mm	TOLERANCES UNLESS OTHERWISE SPECIFIED: 0 PLC ± 1 PLC ± 2 PLC ± 3 PLC ± 4 PLC ± ANGLES ± FINISH	DWN 20NOV2020 GAVIN WANG CHK 20NOV2020 KEVIN HUANG APVD 20NOV2020 CHRIS WANG	NAME M12 X-CODE STRAIGHT, MALE, SHIELDED SINGLE END
MATERIAL		PRODUCT SPEC 108-137538 APPLICATION SPEC 114-137538	SIZE CAGE CODE DRAWING NO A2 00779 G-TAX3812XXX2XXX
		WEIGHT	RESTRICTED TO
CUSTOMER DRAWING;RESTRICTED CUSTOMER			SCALE 2:1 SHEET 2 OF 2 REV A

STE TE Connectivity

Mouser Electronics

Authorized Distributor

Click to View Pricing, Inventory, Delivery & Lifecycle Information:

TE Connectivity:

[TAX38125102-002](#) [TAX38125102-004](#) [TAX38125102-005](#) [TAX38125102-020](#) [TAX3812A202-002](#) [TAX3812A202-004](#) [TAX3812A202-005](#) [TAX3812A202-020](#) [TAX38225102-002](#) [TAX38225102-004](#) [TAX38225102-005](#) [TAX38225102-020](#) [TAX3822A202-002](#) [TAX3822A202-004](#) [TAX3822A202-005](#) [TAX3822A202-020](#) [TAX38721112-002](#) [TAX38721112-004](#) [TAX38721112-005](#) [TAX38725102-002](#) [TAX38725102-004](#) [TAX38725102-005](#) [TAX38725102-020](#) [TAX3872A202-002](#) [TAX3872A202-004](#) [TAX3872A202-005](#) [TAX3872A202-020](#) [TAX38821112-004](#) [TAX38825102-002](#) [TAX38825102-004](#) [TAX38825102-005](#) [TAX38825102-020](#) [TAX3882A202-002](#) [TAX3882A202-004](#) [TAX3882A202-005](#) [TAX3882A202-020](#) [TAX38B2A202-020](#) [TCX38721112-002](#) [TCX38721112-004](#) [TCX38721112-005](#) [TCX38725102-002](#) [TCX38725102-004](#) [TCX38725102-005](#) [TCX38725102-020](#) [TCX3872A202-002](#) [TCX3872A202-004](#) [TCX3872A202-005](#) [TCX3872A202-020](#) [TCX38825102-002](#)