

THIS DRAWING IS UNPUBLISHED.

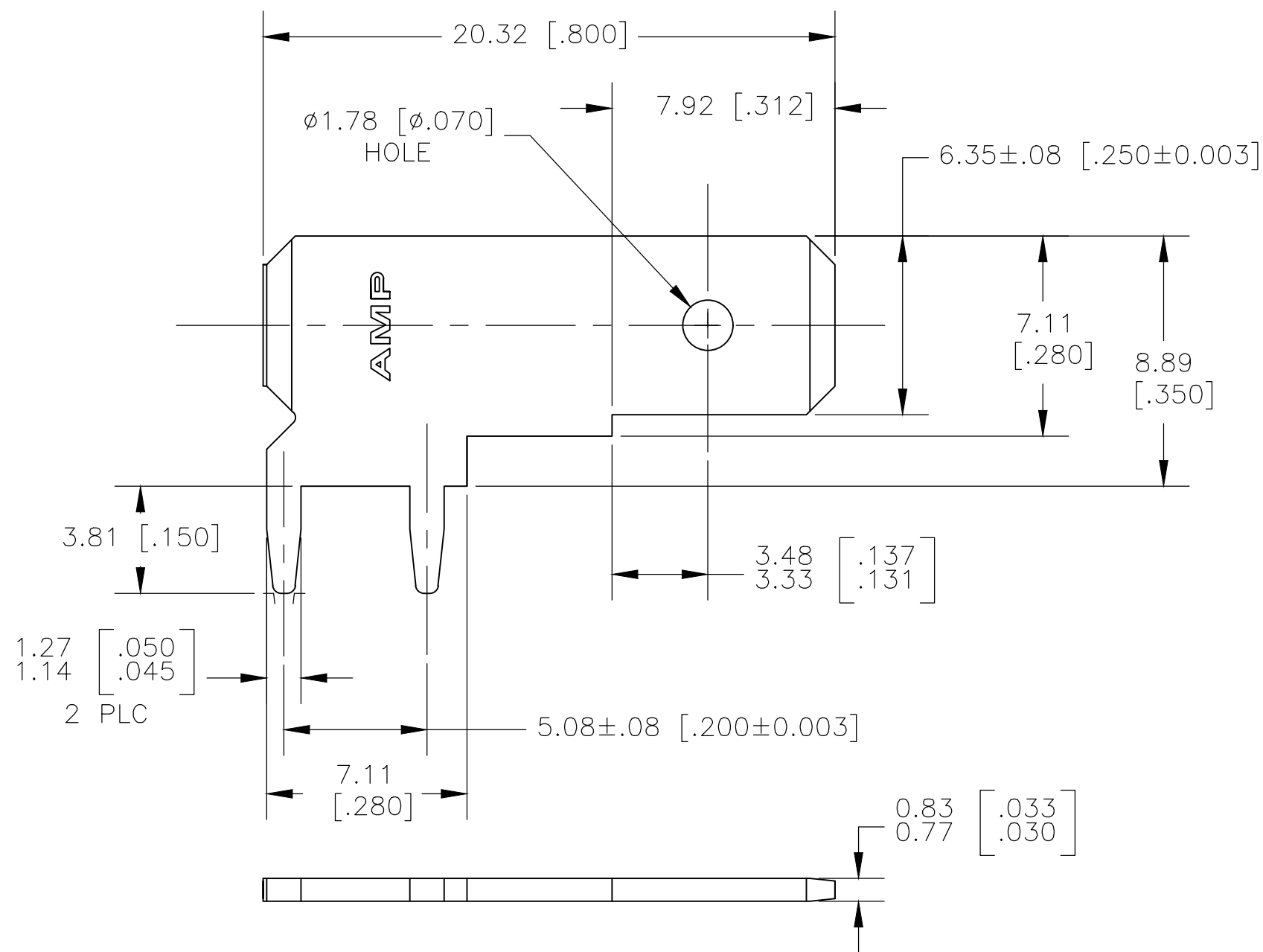
RELEASED FOR PUBLICATION

ALL RIGHTS RESERVED.

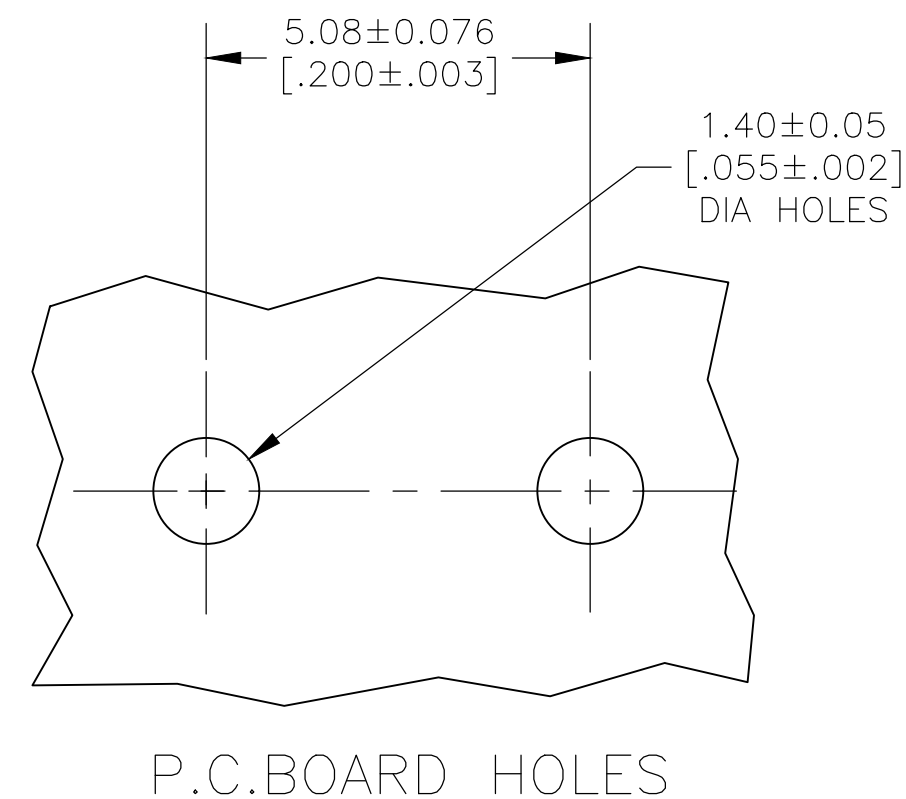
© COPYRIGHT - By -

REVISIONS

P	LTR	DESCRIPTION	DATE	DWN	APVD
D1		REVISED PER ECR-18-005284	18APR2018	RS	PD



- 1 SUPPLIED IN LOOSE PIECE
- 2 0.00381 [.000150] MIN TIN OVER
0.00127 [.000050] MIN NICKEL.
- 3 0.00305 [.000120] MIN SILVER OVER
0.00127 [.000050] MIN NICKEL



3	1217754-2
2	1217754-1
FINISH	PART NO.

THIS DRAWING IS A CONTROLLED DOCUMENT.		DWN JR RUTH 07NOV01	STE TE Connectivity Ltd.		
DIMENSIONS: INCHES		CHK N DEIBERT 07NOV01			
TOLERANCES UNLESS OTHERWISE SPECIFIED:		APVD N DEIBERT 07NOV01	NAME TAB, FASTON, 6.35 [.250] SERIES, LOOSE PIECE		
0 PLC ± -		PRODUCT SPEC	SIZE		
1 PLC ± -		—	CAGE CODE		
2 PLC ± 0.25 [.010]		APPLICATION SPEC	DRAWING NO		
3 PLC ± -		114-2115	RESTRICTED TO		
4 PLC ± -		WEIGHT	A3 00779		
ANGLES ± -		—	C=1217754		
MATERIAL BRASS		FINISH SEE TABLE	SCALE 5:1		
		CUSTOMER DRAWING	SHEET 1 OF 1		
			REV D1		

Mouser Electronics

Authorized Distributor

Click to View Pricing, Inventory, Delivery & Lifecycle Information:

[TE Connectivity:](#)

[1217754-1](#)