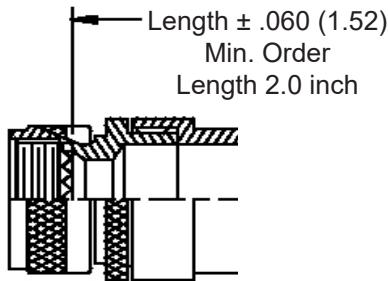
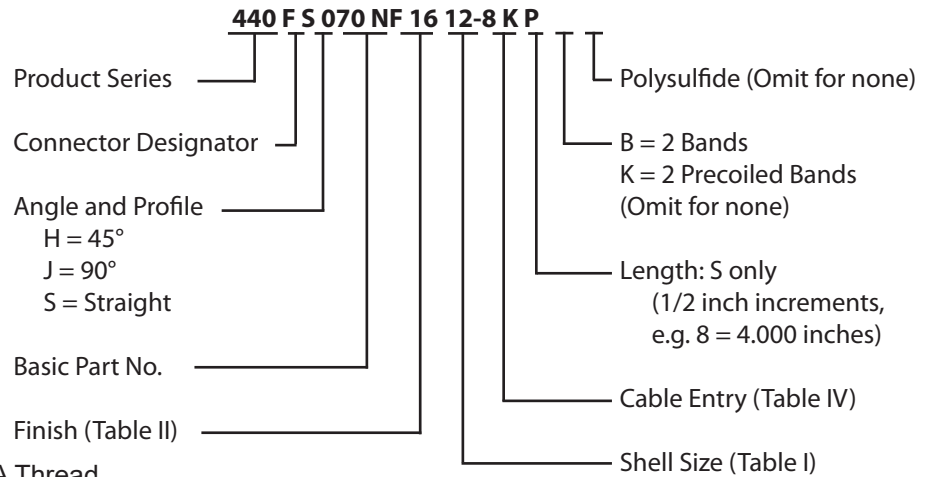
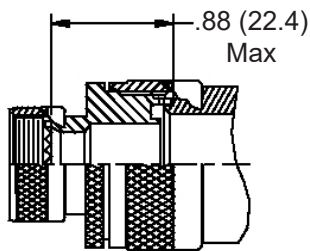
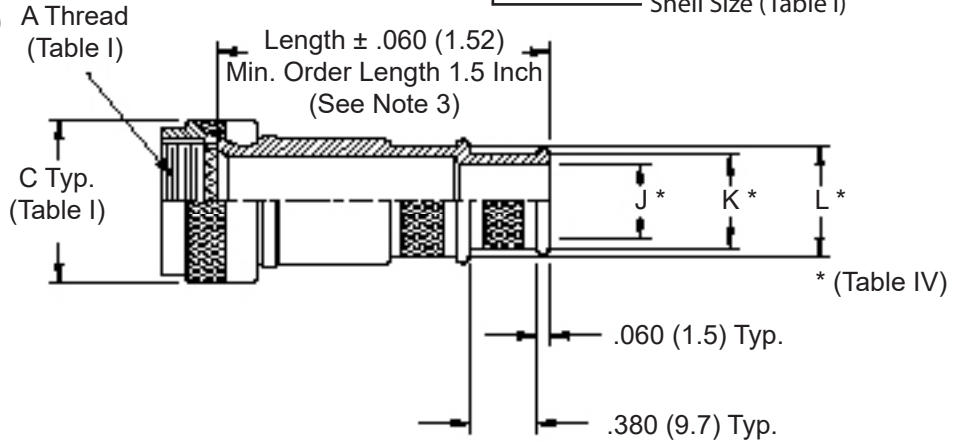


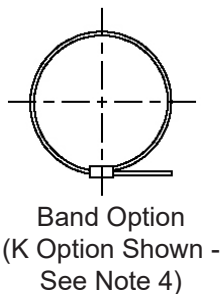
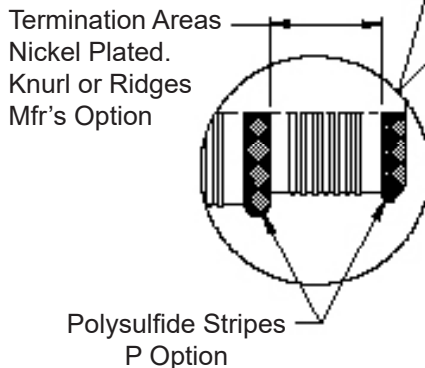
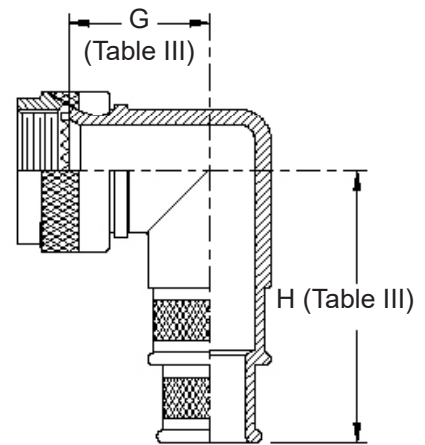
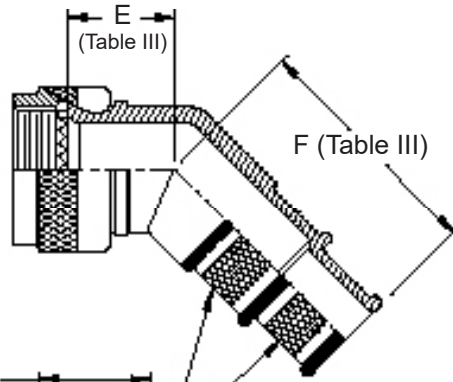
**CONNECTOR  
DESIGNATORS**  
**A-F-H-L-S**  
**ROTATABLE  
COUPLING**



**STYLE 2  
(STRAIGHT  
See Note 1)**



**STYLE 2  
(45° & 90°  
See Note 1)**



See inside back cover  
fold-out or pages 13 and  
14 for Tables I and II.

TABLE III: ELBOW DIMENSIONS

Shell Size		E		F		G		H	
Conn. Desig.	H	Max		Max		Max		Max	
A-F-L-S									
08	09	.639	(16.2)	1.328	(33.7)	.750	(19.1)	1.438	(36.5)
10	11	.664	(16.9)	1.358	(34.5)	.810	(20.6)	1.498	(38.0)
12	13	.688	(17.5)	1.378	(35.0)	.870	(22.1)	1.558	(39.6)
14	15	.705	(17.9)	1.408	(35.8)	.920	(23.4)	1.628	(41.4)
16	17	.732	(18.6)	1.428	(36.3)	.980	(24.9)	1.688	(42.9)
18	19	.748	(19.0)	1.438	(36.5)	1.020	(25.9)	1.708	(43.4)
20	21	.773	(19.6)	1.458	(37.0)	1.080	(27.4)	1.768	(44.9)
22	23	.800	(20.3)	1.498	(38.0)	1.140	(29.0)	1.848	(46.9)
24	25	.823	(20.9)	1.528	(38.8)	1.200	(30.5)	1.918	(48.7)

TABLE IV: CABLE ENTRY

Dash No.	J Dia	K Dia	L Dia
02	.125 (3.2)	.250 (6.4)	.312 (7.9)
03	.188 (4.8)	.312 (7.9)	.375 (9.5)
04	.250 (6.4)	.375 (9.5)	.438 (11.1)
05	.312 (7.9)	.438 (11.1)	.500 (12.7)
06	.375 (9.5)	.500 (12.7)	.562 (14.3)
07	.438 (11.1)	.562 (14.3)	.625 (15.9)
08	.500 (12.7)	.625 (15.9)	.688 (17.5)
09	.562 (14.3)	.688 (17.5)	.750 (19.1)
10	.625 (15.9)	.750 (19.1)	.812 (20.6)
11	.688 (17.5)	.812 (20.6)	.875 (22.2)
12	.750 (19.1)	.875 (22.2)	.938 (23.8)
13	.812 (20.6)	.938 (23.8)	1.000 (25.4)
14	.875 (22.2)	1.000 (25.4)	1.062 (27.0)
15	.938 (23.8)	1.062 (27.0)	1.125 (28.6)
16	1.000 (25.4)	1.125 (28.6)	1.188 (30.2)
17	1.062 (27.0)	1.188 (30.2)	1.250 (31.8)
18	1.125 (28.6)	1.250 (31.8)	1.312 (33.3)
20	1.250 (31.8)	1.375 (34.9)	1.438 (36.5)
22	1.375 (34.9)	1.500 (38.1)	1.562 (39.7)
24	1.500 (38.1)	1.625 (41.3)	1.688 (42.9)

1. When maximum cable entry (page 21) is exceeded, Style 2 will be supplied. Dimensions E, F, G and H will not apply. Please consult factory.
2. Metric dimensions (mm) are indicated in parentheses.
3. Consult factory for shorter lengths on straight backshells.
4. Backshells supplied with 600-052-\* band, see Glenair Series 600 Tool Catalog for installation.

# Mouser Electronics

Authorized Distributor

Click to View Pricing, Inventory, Delivery & Lifecycle Information:

## Glenair:

[440HS070M1102-3](#) [445AS054NF1207](#) [445AA054ZM1004](#) [445AJ058Z11404K](#) [445AS054ZM1004](#) [445FW054XW08](#)  
[445MK070M0706-T](#) [445ML036Z10908-SC](#) [445AS058Z11204K](#) [445AS058Z11605K](#) [445AT054NF1207](#)  
[445FA054XM1005](#) [445FJ065NF1003](#) [445FS065NF2035-4](#) [440HS070M2511-4B](#) [440MA204M0705B-80](#)  
[440HS070M1711-4B](#) [440HS070M2313-4B](#) [440HS070M2516-4B](#) [440MS135MT0706-6K](#) [440MS135NF0706-9K](#)  
[440AS070M2420-4-375D](#)