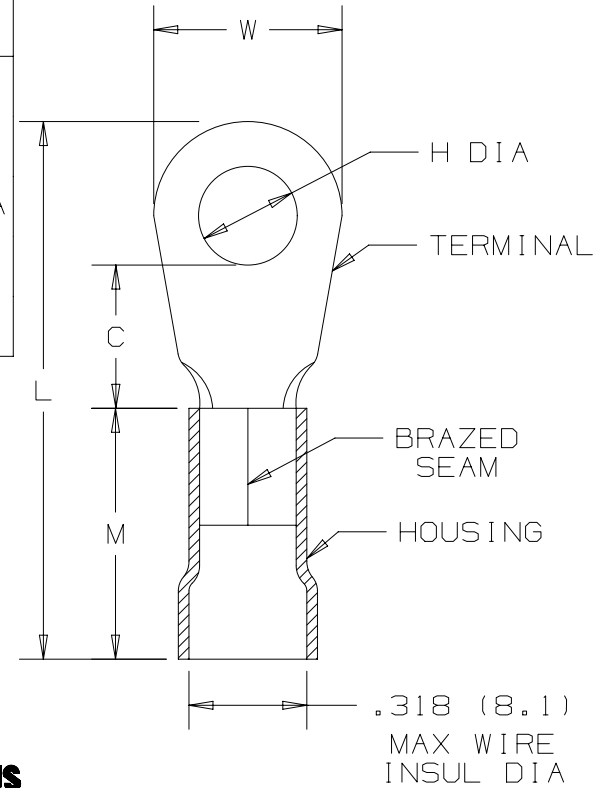


THIS COPY IS PROVIDED ON A RESTRICTED BASIS AND IS NOT TO BE USED IN ANY WAY DETRIMENTAL TO THE INTERESTS OF PANDUIT CORP.

PANDUIT PART NUMBER	STUD SIZE		DIMENSIONS - in. [mm]					TOOLS
	ENGLISH	METRIC	L± .04 [1,1]	W± .01 [0,3]	C± .01 [0,3]	M± .02 [0,6]	H +.02 [0,4] -0	
EV8-8R	#8	M4	1.18 (30.0)	.31 (8.0)	.37 (9.3)	.66 (16.7)	.17 (4.3)	KST-HDC38A
EV8-14R	1/4"	M6	1.26 (32.0)	.47 (12.0)	.37 (9.3)	.66 (16.7)	.25 (6.4)	
EV8-56R	5/16"	M8	1.5 (38.0)	.59 (15.0)	.54 (13.8)	.66 (16.7)	.33 (8.4)	
EV8-38R	3/8"	M10	1.5 (38.0)	.59 (15.0)	.54 (13.8)	.66 (16.7)	.41 (10.5)	
EV8-12R	1/2"	M12	1.64 (41.7)	.79 (20.0)	.59 (15.0)	.66 (16.7)	.51 (13.0)	



NOTES:

- UL LISTED FOR:
 - A. #8 AWG [8mm²] STRANDED COPPER WIRE
 - B. 221°F (105°C) MAX TEMP RATING
 - C. 600V MAX VOLTAGE RATING
- MATERIAL:
 - A. STAMPING - .047" (1.2) THICK COPPER, TIN PLATED
 - B. HOUSING - VINYL, RED
- WIRE STRIP LENGTH: 15/32" +1/32" (12mm +.8)
- SEE WWW.PANDUIT.COM FOR PACKAGE QUANTITIES
- DIMENSIONS IN BRACKETS ARE METRIC EQUIVALENT



LISTED
2000
E52164

TITLE		STRONGHOLD RING TERMINAL VINYL INSULATED, BRAZED SEAM #8 AWG [8mm ²] CUSTOMER DRAWING						
ITEM REVISION NAME		00123SSB/00						
DATASET FILE NAME		00123SSB/00						
UNLESS OTHERWISE SPECIFIED, DIMENSIONAL TOLERANCES ARE: IN [mm]		MATERIAL: SEE NOTES						
.X ± .XX ±		.XXX ± ANGLES ±						
THIRD ANGLE PROJECTION		DRAWING NUMBER: 00123SSB-DC						
DRAWN BY	DATE	CHK	SCALE	SIZE				
JHNU	2/18	TMR	NONE	A				
REV		DATE	BY	CHK	APR	DESCRIPTION	ECN	SHT 1 OF 1
00	2/18	JHNU	TMR	RGB		DRAWING RELEASED	00123SS	

917/00DA/16

Mouser Electronics

Authorized Distributor

Click to View Pricing, Inventory, Delivery & Lifecycle Information:

Panduit:

[EV8-12R-Q](#) [EV8-14R-Q](#) [EV8-38R-Q](#) [EV8-56R-Q](#) [EV8-8R-Q](#)