

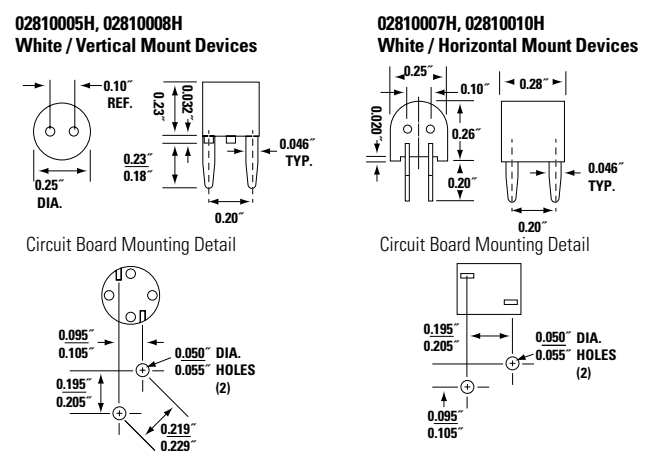
### 281/556/557 Series Thru-Hole Circuit Board Mount Blocks for Micro™/TR-3 Fuses



### Product Characteristics

Compatible Fuses	281 Series Vertical	281 Series Horizontal	556 Series Vertical	557 Series Horizontal
	MICRO™/TR3®			
<b>Description</b>	Thru-hole circuit board mount blocks designed for Littelfuse MICRO™/TR3 type and other fuse series with .025" diameter leads rated to 5 amps			
<b>Electrical</b>	Rated at 5A / 1.6W to 125 volts.			
<b>Mounting Method</b>	PC Board Thru-Hole @ 5.08 hole spacing			
<b>Mount Color &amp; Direction</b>	White Vertical	White Horizontal	Black Vertical	Black Horizontal
<b>Molded Part Specs</b>	White Thermoplastic UL 94V0 PBT		Black Thermoplastic UL 94V0	
<b>Metal Parts and Terminals</b>	Copper Alloy with options Tin Plating (281008, 281010) or Silver Plating (281005, 281007)		Copper Alloy with Tin Plating	
<b>Ambient Temperature</b>	-40°C to +100°C.			
<b>Unit Weight</b>	0.41g	0.50g	0.42g	0.51g

### Dimensions units in inch (mm)



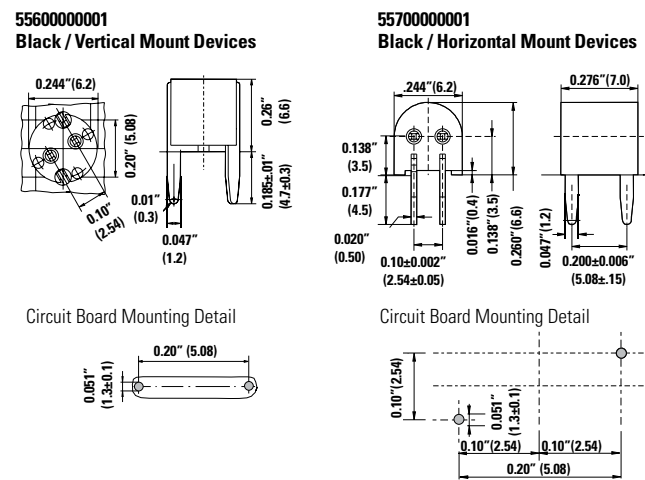
### Agency Approvals

Agency	Agency File Number		
	281 Series	556 Series	557 Series
	E14721	N/A	N/A

### Ordering Information

Ordering Number	Terminal Plating	Mount Color	Mount Direction	Packaging
02810005H	Silver <sup>1</sup>	White	Vertical	100 (Bulk pack)
02810008H	Tin <sup>1</sup>	White	Vertical	100 (Bulk pack)
02810007H	Silver <sup>1</sup>	White	Horizontal	100 (Bulk pack)
02810010H	Tin <sup>1</sup>	White	Horizontal	100 (Bulk pack)
55600000001*	Tin	Black	Vertical	1000 (Bulk pack)
55700000001*	Tin	Black	Horizontal	1000 (Bulk pack)

<sup>1</sup> UL recognized.  
\* RoHS compliant.  
**Note:** 281 Series meets with Glow Wire requirements specified on IEC 60695-2-12 & 60695-2-13



### Additional Information



# Mouser Electronics

Authorized Distributor

Click to View Pricing, Inventory, Delivery & Lifecycle Information:

[Littelfuse:](#)

[02810005H](#) [02800004Z](#) [02800002Z](#) [02800031Z](#) [02810007H](#) [02800003Z](#) [02810001H](#) [02810010H](#) [02800046Z](#)  
[02810008H](#) [55700000001](#)