

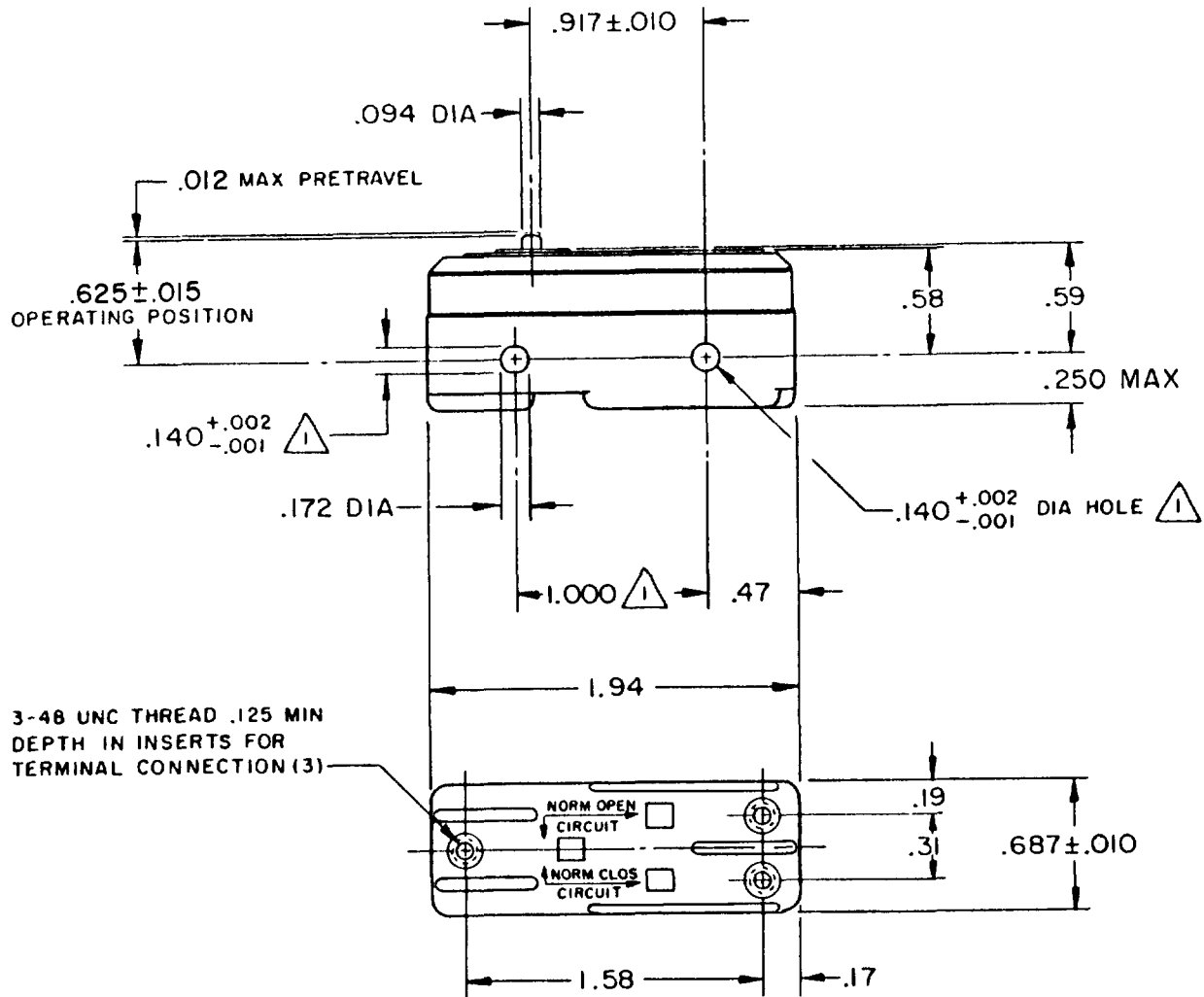
# MICRO SWITCH

FREEPORT ILLINOIS, U.S.A  
A DIVISION OF HONEYWELL  
FED. MFG. CODE 91929

# SWITCH - BASIC

CATALOG LISTING

# BZ-R147-S

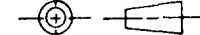


### NOTES

- 1 MOUNTING HOLES WILL ACCEPT PINS OR SCREWS OF .139 MAX DIA ON 1.000 ± .002 CENTERS
- 2 - 3-48 UNC X .125 REF TERMINAL SCREW FURNISHED UNASSEMBLED (3)

THIS DRAWING COVERS A PROPRIETARY ITEM AND IS THE PROPERTY OF MICRO SWITCH, A DIVISION OF HONEYWELL. THIS DRAWING IS NOT TO BE COPIED OR USED WITHOUT THE APPROVAL OF MICRO SWITCH.

THIRD ANGLE PROJECTION



### CHARACTERISTICS

OPERATING FORCE — — — — 7-9 OZ  
RELEASE FORCE — — — — 4 OZ MIN  
DIFFERENTIAL TRAVEL — — .0003-.0006  
OVERTRAVEL — — — — — .005 MIN

### ELECTRICAL DATA

CONTACT ARRANGEMENT  
S P D T

UL LISTED-FILE E12252  
CODE L103  
15A-125, 250 OR 480 VAC  
1/8 HP-125 VAC; 1/4 HP-250 VAC



SCALE FULL

DO NOT SCALE PRINT

### TOLERANCES

APPLY TO DESIGN UNITS. CONVERSIONS ARE ONLY FOR REFERENCE. UNLESS NOTED, TOLERANCES ARE ±

	DIM. mm	TOL. mm/in	DIM. in	TOL. mm/in
NO PLACES	X	1/64	X	0.015
ONE PLACE	X,X	0.4/016	X,X	0.01/03
TWO PLACES	X,XX	0.15/006	X,XX	0.38/015
THREE PLACES	X,XXX		X,XXX	0.13/005

DESIGN UNITS  SI METRIC  US CUSTOMARY

WEIGHT .050 LB

BZ-R147-S

M

DRAWING NUMBER

5

ISSUE

CHECK

### REVISIONS

A	C080986	JALA	26 JUN 95
B	C094212-C	DLT	8 SEP 99

REPLACES

PAGE 1 OF 1  
RELEASE NO. PR-6746

CHECK

CHECK

GCH 9 JAN 78

T M 5 JAN 78

FORMTEK

DRAWN