

MICRO SWITCH
a Honeywell Division

FED. MFG. CODE 91929

SWITCH - TOGGLE

4NT1 SERIES CHART 1

CATALOG LISTING

THIS DRAWING COVERS A PROPRIETARY ITEM AND IS THE PROPERTY OF MICRO SWITCH. A DIVISION OF HONEYWELL. THIS DRAWING IS NOT TO BE COPIED OR USED WITHOUT THE APPROVAL OF MICRO SWITCH

CATALOG LISTING
4NT1 SERIES CHART 1

PAGE 1 OF 1

REPLACES

RELEASE NO. PR-19436

CHECK

ISSUE 5

REVISIONS

A CO-94361
DCS
29 NOV 99

B 203550
WJC
7 AUG 01

CHECK KDS

3 APR 91

CHECK DAW

3 APR 91

CHECK

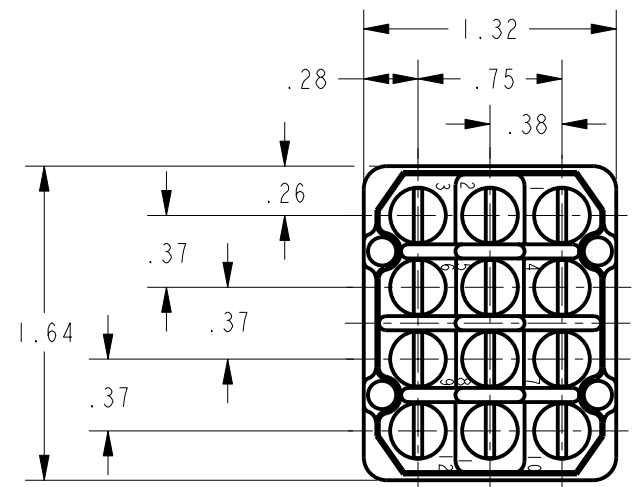
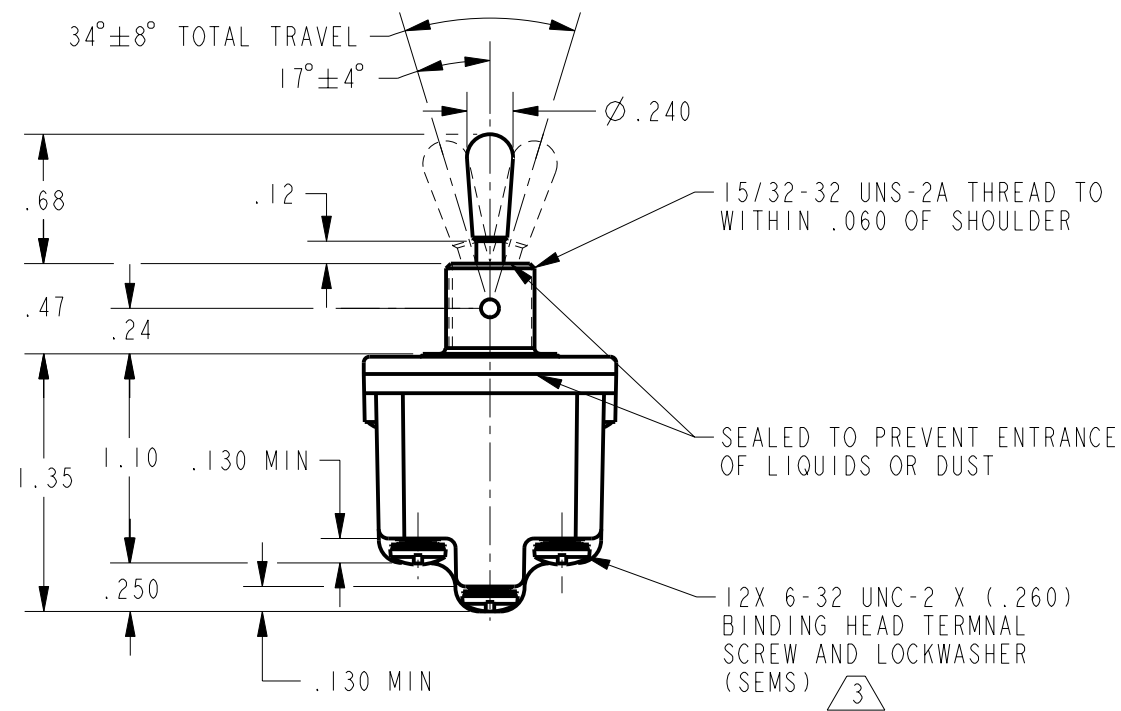
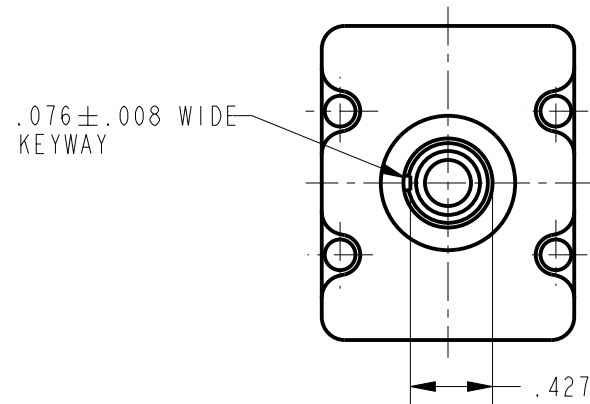
1 APR 91

DRAWN

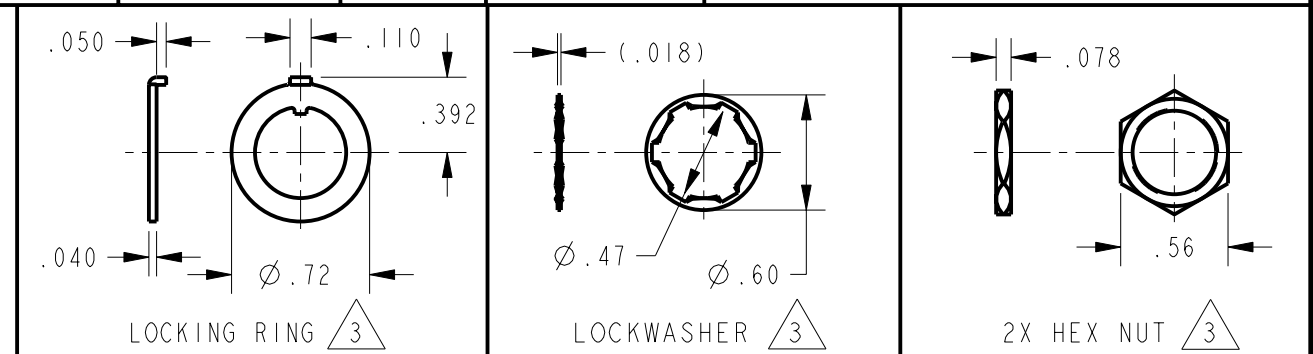
PTC/CAD 2D

MAM

ANSI Y14.5M-1982 APPLIES



CATALOG LISTING	CIRCUIT MADE WITH TOGGLE LEVER IN			ELECTRICAL DATA
	KEYWAY SIDE (1-2, 4-5, 7-8, 10-11)	CENTER (1-2, 4-5, 7-8, 10-11)	OPPOSITE KEYWAY (2-3, 5-6, 8-9, 11-12)	
4NT1-1	ON	OFF	ON	L191 15A 125, 250, 277 VAC 1/2HP 125 VAC 1HP 250, 277 VAC 5A 125 VAC "L"
4NT1-2	OFF	NONE	ON	
4NT1-3	ON	NONE	ON	
(B)	NONE	OFF	ON	
(B)	NONE	ON	ON	
(B)	MOM OFF	NONE	ON	
4NT1-5	MOM ON	OFF	ON	L192 10A 125, 250, 277 VAC 1/4HP 125 VAC 1/2HP 250, 277 VAC 3A 125 VAC "L"
4NT1-6	MOM ON	NONE	OFF	
4NT1-7	MOM ON	OFF	MOM ON	
4NT1-8	MOM ON	NONE	ON	
(B)	NONE	ON	MOM ON	
4NT1-61	MOM ON	OFF	NONE	



- NOTES
- 1 - SWITCHES ARE CAPABLE OF WITHSTANDING A TEMPERATURE OF 160°F CONTINUOUSLY AT FULL RATED LOAD
 - 2 - MICRO SWITCH CATALOG LISTING MARKED ON SIDE OF SWITCH
 - FURNISHED UNASSEMBLED
 - APPLIES ONLY TO "ON" AND "MOM ON" POSITIONS

THIRD ANGLE PROJECTION	
SCALE	FULL
DO NOT SCALE PRINT	
UNLESS OTHERWISE SPECIFIED TOLERANCES ARE	
ONE PLACE	(.0) ±.030
TWO PLACE	(.00) ±.015
THREE PLACE	(.000) ±.005
ANGLES	±
WEIGHT	