

isc Silicon NPN Power Transistor

2SC4106

DESCRIPTION

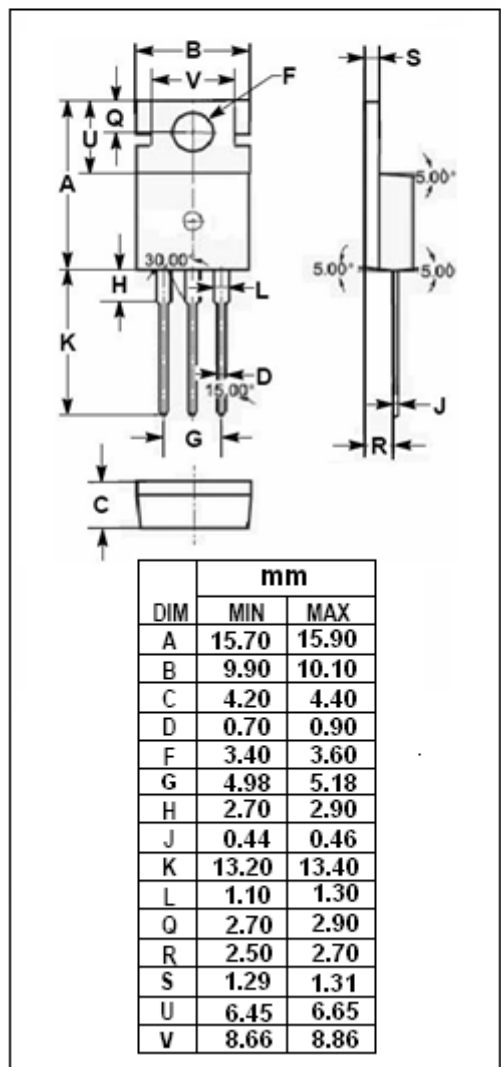
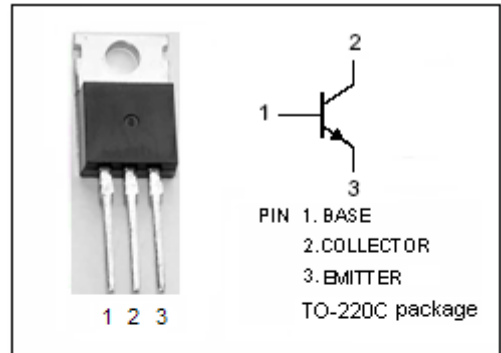
- High Collector-Emitter Breakdown Voltage
: $V_{(BR)CEO} = 400V(\text{Min.})$
- High Switching Speed
- Wide Area of Safe Operation

APPLICATIONS

- Designed for switching regulator applications

ABSOLUTE MAXIMUM RATINGS(Ta=25°C)

SYMBOL	PARAMETER	VALUE	UNIT
V_{CBO}	Collector-Base Voltage	500	V
V_{CEO}	Collector-Emitter Voltage	400	V
V_{EBO}	Emitter-Base Voltage	7	V
I_C	Collector Current-Continuous	7	A
I_{CM}	Collector Current-Peak	14	A
I_B	Base Current-Continuous	3	A
P_C	Collector Power Dissipation@ $T_C=25^\circ\text{C}$	50	W
	Collector Power Dissipation@ $T_a=25^\circ\text{C}$	1.75	
T_J	Junction Temperature	150	°C
T_{stg}	Storage Temperature Range	-55~150	°C



isc Silicon NPN Power Transistor

2SC4106

ELECTRICAL CHARACTERISTICS

 $T_C=25^\circ\text{C}$ unless otherwise specified

SYMBOL	PARAMETER	CONDITIONS	MIN	TYP.	MAX	UNIT
$V_{(BR)CEO}$	Collector-Emitter Breakdown Voltage	$I_C=5\text{mA}$; $R_{BE}=\infty$	400			V
$V_{(BR)CBO}$	Collector-Base Breakdown Voltage	$I_C=1\text{mA}$; $I_E=0$	500			V
$V_{(BR)EBO}$	Emitter-Base Breakdown Voltage	$I_E=1\text{mA}$; $I_C=0$	7			V
$V_{CE(sat)}$	Collector-Emitter Saturation Voltage	$I_C=4\text{A}$; $I_B=0.8\text{A}$			0.8	V
$V_{BE(sat)}$	Base-Emitter Saturation Voltage	$I_C=4\text{A}$; $I_B=0.8\text{A}$			1.5	V
I_{CBO}	Collector Cutoff Current	$V_{CB}=400\text{V}$; $I_E=0$			10	μA
I_{EBO}	Emitter Cutoff Current	$V_{EB}=5\text{V}$; $I_C=0$			10	μA
h_{FE-1}	DC Current Gain	$I_C=0.8\text{A}$; $V_{CE}=5\text{V}$	15		50	
h_{FE-2}	DC Current Gain	$I_C=4\text{A}$; $V_{CE}=5\text{V}$	10			
h_{FE-3}	DC Current Gain	$I_C=10\text{mA}$; $V_{CE}=5\text{V}$	10			
f_T	Current-Gain—Bandwidth Product	$I_C=0.8\text{A}$; $V_{CE}=10\text{V}$		20		MHz
C_{OB}	Output Capacitance	$I_E=0$; $V_{CB}=10\text{V}$; $f_{\text{test}}=1.0\text{MHz}$		80		pF

Switching times

t_{on}	Turn-on Time	$I_C=5\text{A}$; $I_{B1}=1\text{A}$; $I_{B2}=-2\text{A}$ $R_L=40\Omega$; $V_{CC}=200\text{V}$			0.5	μs
t_{stg}	Storage Time				2.5	μs
t_f	Fall Time				0.3	μs

◆ h_{FE-1} Classifications

L	M	N
15-30	20-40	30-50