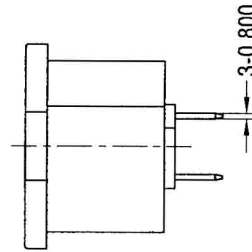
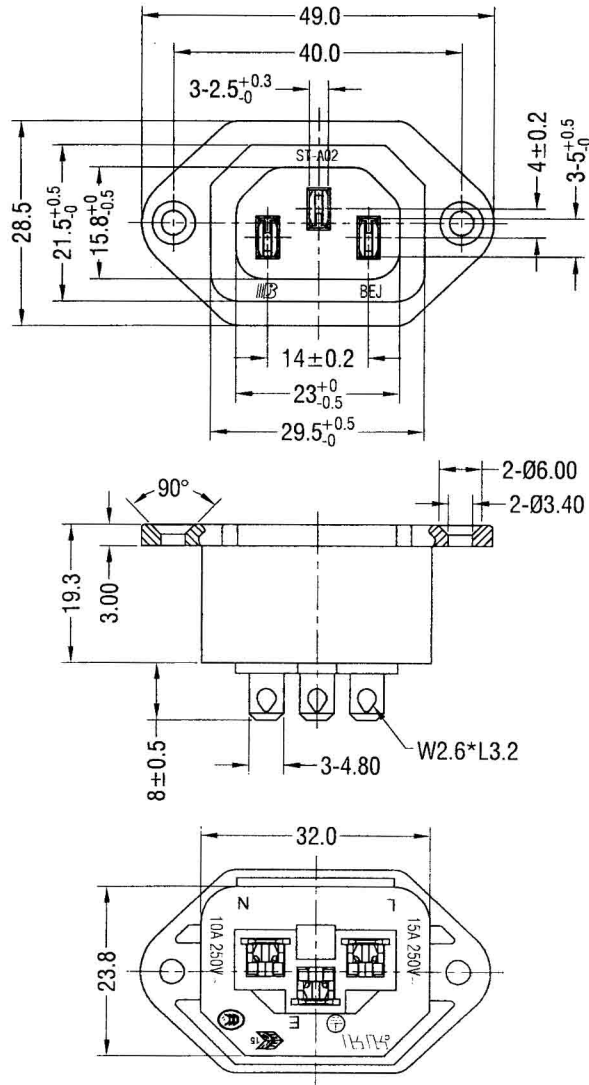


**RoHS  
Compliant  
Drawing For  
Reference Only**



**SPEC:**

**A. Material:**

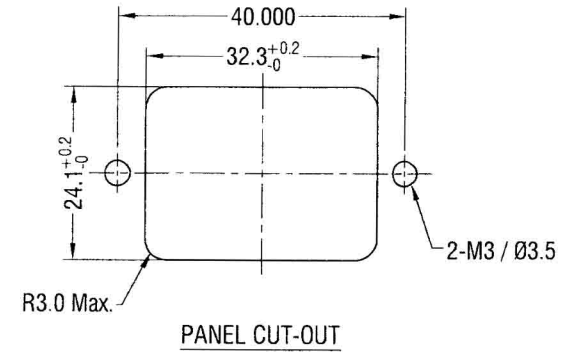
1. Housing: PBT
2. Terminal: COPPER ALLOY, TIN PLATED

**B. Electrical Characteristics:**

1. Rating: 15A 250V~ (UL, CUL)  
10A 250V~ (CCC, ENEC)
2. Electric Strength: AC 2,000 V FOR ONE MINUTE
3. Insulation Resistance: 100MΩ MIN, AT 500V DC

**C. Approvals:**

UL, CUL, CCC, ENEC



**Technical requirement :**

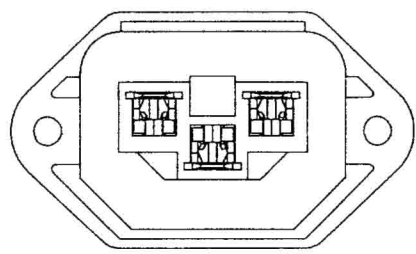
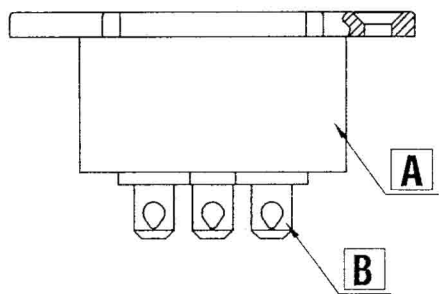
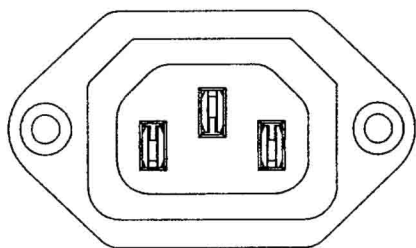
1. This product should meet EU RoHS related requirement.
2. The surface of plastic part should be without any crackle such as burr, lack, and so on phenomenon.
3. The surface of metal part should be without any defect such as scour, nick, oxidation and plating problem.
4. The electronic performance should be the same as spec.

Common Tolerance	
DIMENSION	ANGLE
0.0 ±0.3	±3°
0.00 ±0.20	
0.000 ±0.100	

**DCI DRAGON CITY INDUSTRIES LIMITED**

Item Name	AC SOCKET	Tolerance :	Design	K.W Law	Remark	Scale
Item No.	AS-208-UL	Unit : mm	Drawing	W.K Yeung	Remark	Material
			Check	K.L Wong	Remark	Drawing No.
			Approval	K.W Chan	Remark	Sheet
						B912201355
						1/2

RoHS  
Compliant  
Drawing For  
Reference Only



- Technical requirement :
1. This product should meet EU RoHS related requirement.
  2. The surface of plastic part should be without any crackle such as burr,lack,and so on phenomenon.
  3. The surface of metal part should be without any defect such as scour,nick,oxidation and plating problem.
  4. The electronic performance should be the same as spec.

项次	名称	料号	材质	规格	用量
A	胶壳	A02-001L	PBT-G30-RoHS	黑色	1PCS
B	弹性插套	A02-N6	黄铜	镀锡	3PCS

**DCI DRAGON CITY INDUSTRIES LIMITED**

Item Name	AC SOCKET	Tolerance :
Item No.	AS-208-UL	Unit : mm

Design	K.W Law	Remark	Scale
Drawing	W.K Yeung	Remark	Material
Check	K.L Wong	Remark	Drawing No. B912201355
Approval	K.W Chan	Remark	Sheet 2/2