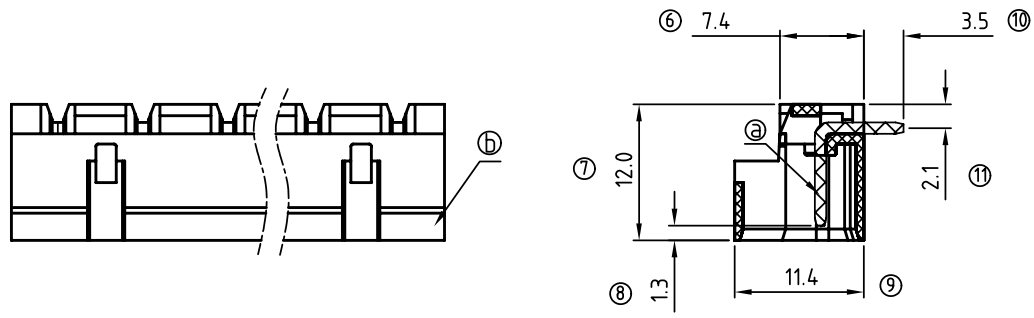
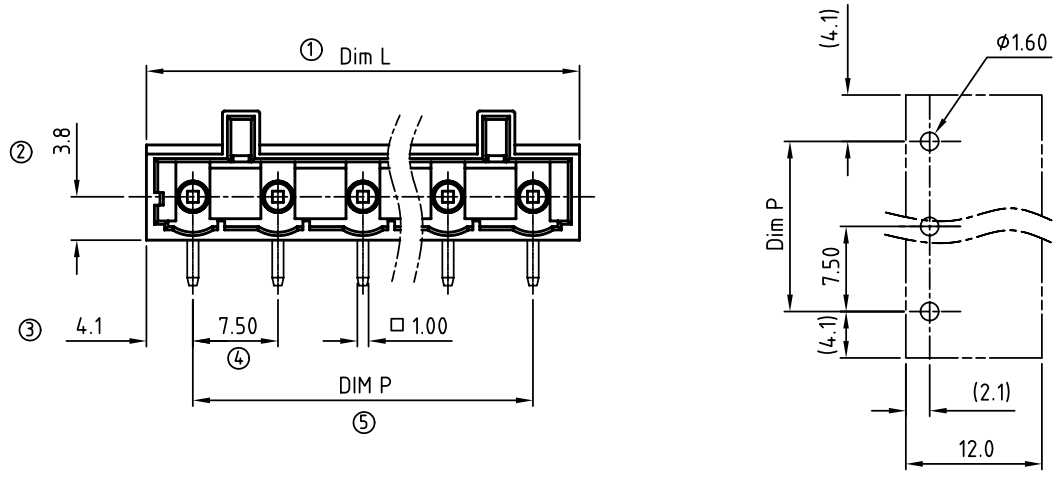


SIGN	DATE	DESCRIPTION	APPROVER
THIS IS CAD DRAWING, DO NOT REVISE MANUALLY!!!			



SECTION A-A



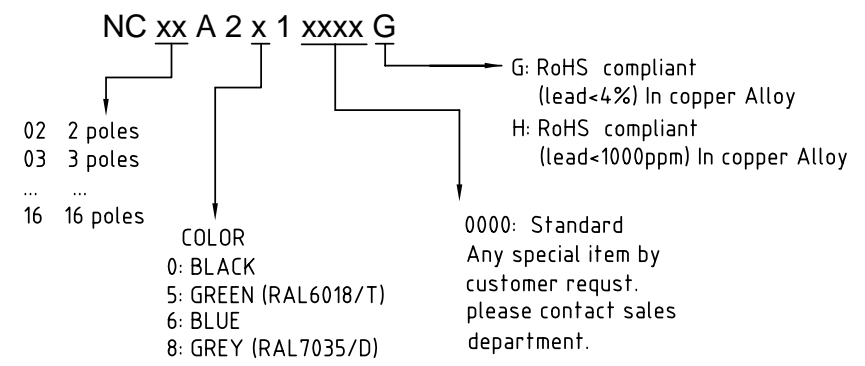
P.C.B LAYOUT

Material:

- Item a :Male contact pin: Copper Tin plated
- Item b :Terminal(housing): Thermoplastic (UL94V-0)

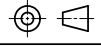
Electrical: cULus

- Voltage rating: 300V
- Current rating: 8A
- Withstanding Voltage: 1.6 KV
- Operating temperature: -40°C to +115°C
- Soldering temperature: 250°C±10°C/5 Sec
- Safety Approval:



N = Number of poles
 Dim L=(N×7.5)+0.7
 Dim P=(N-1)×7.5

	Dim L	Dim P
2-6p	±0.10	±0.10
7-12p	±0.25	±0.20
13-16p	±0.40	±0.30

ANYTEK				CUSTOMER COPY	
ALL RIGHTS RESERVED. REPRODUCTION OR ISSUE TO THIRD PARTIES IN ANY FORM WHATSOEVER IS NOT PERMITTED WITHOUT WRITTEN AUTHORITY FROM THE PROPRIETOR. PROPERTY OF ANYTEK TECHNOLOGY CO., LTD					
TITLE	NC 7.5mm Right-angle W/hook holder (100% protected against mismatching)				
PART NO.	NCxxA2x1xxxxG	DWG NO.	8NC1304		
APPROVED	CHECKED	DESIGNED	DRAWN	CUST NO.	Tolerance
		Runner	Runner		X. ±0.50
		2010.06.10	2010.06.10		X.X ±0.30
					X.XX ±0.10
				SHEET: 01/01	X° ±1°

Mouser Electronics

Authorized Distributor

Click to View Pricing, Inventory, Delivery & Lifecycle Information:

[Amphenol:](#)

[NC02A2810000G](#) [NC03A2810000G](#) [NC04A2810000G](#) [NC05A2810000G](#) [NC06A2810000G](#) [NC07A2810000G](#)
[NC08A2810000G](#) [NC09A2810000G](#) [NC10A2810000G](#) [NC11A2810000G](#) [NC12A2810000G](#) [NC13A2810000G](#)
[NC14A2810000G](#) [NC15A2810000G](#) [NC16A2810000G](#)