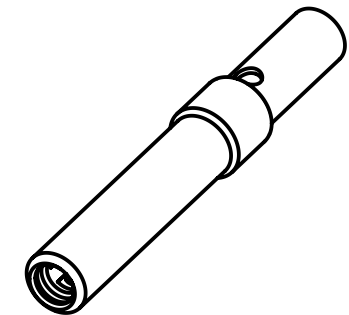
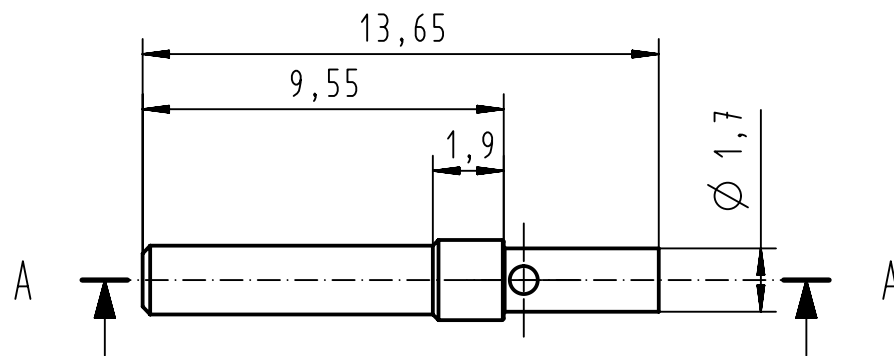



Crimping of AWG 18-22 :  
 09 99 000 0501 hand tool  
 09 99 000 0531 locator



5000	09 67 000 3676 580	1
100	09 67 000 3676	1
Bulk packaging	Part number	Perf. Level

	All rights reserved		Scale 5:1		Free size tol.		Ref.			
	Department EC PD - FR		Created by BOURGEOIS		Inspected by BAGDIKIAN		Standardisation KOHLER			
HARTING Electronics GmbH D-32339 Espelkamp			Title D-Sub, FE High-end AWG 18-22 crimp cont				Date 2014-06-18		State Final Release	
			Type TB		Number 09670003676			Doc-Key / ECM-Nr. 100220456/UGD/005/C 500000076079		
						Rev. C		Page 1/1		

# Mouser Electronics

Authorized Distributor

Click to View Pricing, Inventory, Delivery & Lifecycle Information:

[HARTING:](#)

[09670003676](#)