

PRODUCT NUMBER  
20020003-XXXXXXLF

20020003-□ □ □ □ □ ○ □ LF

PITCH  
G: 5.00mm  
H: 5.08mm

POLES  
02: 2 POLES  
03: 3 POLES  
04: 4 POLES  
  
24: 24 POLES

LF : DENOTED RoHS COMPATIBLE

1 : STANDARD PRODUCT  
W/ BOX PACKING

SCREW CODE

CODE	SCREW TYPE	AVAILABILITY
A	-/+	ON REQUEST ONLY
B	-	STANDARD

ALL FLANGE SCREWS ARE ONLY AVAILABLE IN +/- COMBINATION SCREW TYPES.

PROPERTY TABLE			
FCI SERIES NAME		01-500	01-508
PITCH (mm)		5.00	5.08
VOLTAGE RATING (VAC)		300	300
CURRENT RATING (A)		12	12
APPLICABLE WIRE RANGE (AWG)	1-WIRE	12~24	12~24
	2-WIRE	18	18
WIRE CROSS SECTION (mm <sup>2</sup> )	SOLID	1-WIRE	2.5
		2-WIRE	1.0
	STRANDED	1-WIRE	2.5
		2-WIRE	1.5
OPENING CONTACT HOUSING(mm <sup>2</sup> )		2.6x3.2	2.6x3.2
WIRE STRIP LENGTH(mm)		7~8	7~8
TORQUE +/-10% (N-m/Lb-in)		0.57/5.0	0.57/5.0
SCREW		M3x0.5	M3x0.5
WITHSTANDING VOLTAGE (kV)		1.6	1.6
OPERATING TEMP. (°C)		-40~+115	-40~+115
POLES AVAILABLE		02~24	02~24
SAFETY CERTIFICATE			

HOUSING CODE

CODE	COLOR	AVAILABILITY
1	GREEN(RAL 6018/T)	STANDARD
2	BLACK	ON REQUEST ONLY
3	GREY(RAL 7004/P)	ON REQUEST ONLY
4	BLUE(RAL 5015/A)	ON REQUEST ONLY

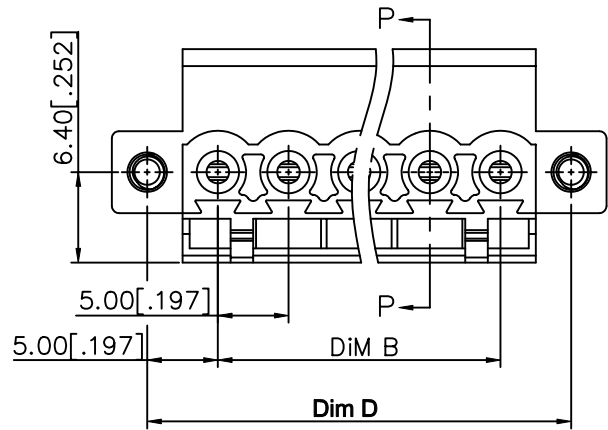
NOTES:

- MATERIALS  
1-1 HOUSING: THERMALPLASTIC RESIN, UL 94V-0 RATED.  
1-2 SCREW AND FLANGE SCREW: STEEL, ZINC PLATED.  
1-3 CLAMP: COPPER ALLOY, NICKEL PLATED.  
1-4 TERMINAL: COPPER ALLOY, TIN PLATED.
- PRODUCT SPECIFICATION REFER TO FCI GS-12-625.
- BOXED PACKAGING,  
DETAILED PRODUCT PACKING SPECIFICATION REFER TO FCI GS-14-1394.
- FCI, SAFETY CERTIFICATE LOGO AND SERIES NAME TO BE SHOWN ON PRODUCT SURFACE.
- THE PRODUCTS WHERE THE PART NUMBER END IN "LF" MEET THE EUROPEAN UNION DIRECTIVE AND OTHER COUNTRY REGULATIONS AS DESCRIBED IN GS-22-008.

mat'l. code		surface ASME Y14.5 ✓	tolerance ASME Y14.5	projection	product family
ltr		tolerances unless otherwise specified			TERMINAL BLOCK
A	T10-0062	WL	050710	MM	title
B	T10-0127	WL	080910		
C	T10-0155	WL	093010	INCH	TERMINAL BLOCK PLUGGABLE, PLUG, SIGNAL, W/FLANGE CONTACT UP SIDE
D	T10-0187	WL	121410		
E	T-004860	WL	080411	scale	sheet 1 of 3
sheet index		dr	WENDY CHEN	042310	20020003
revision		enr	JASON HSU	042310	A4
sheet		chr	GARY HSIEH	042310	type
index		appd	JOSEPH HSIA	042310	CUSTOMER Drawing
1	2	3			



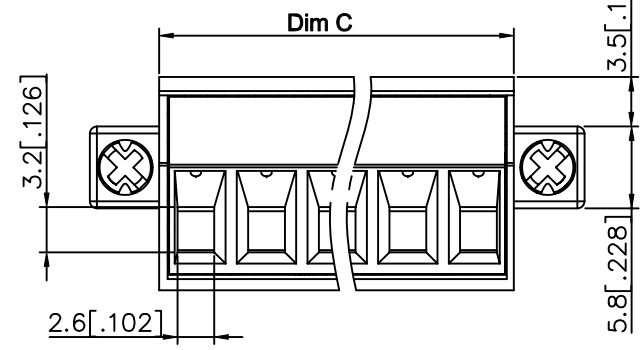
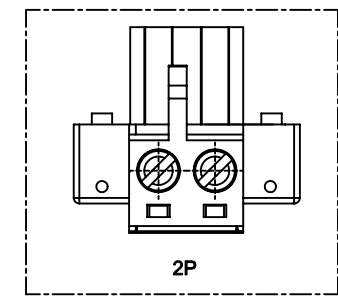
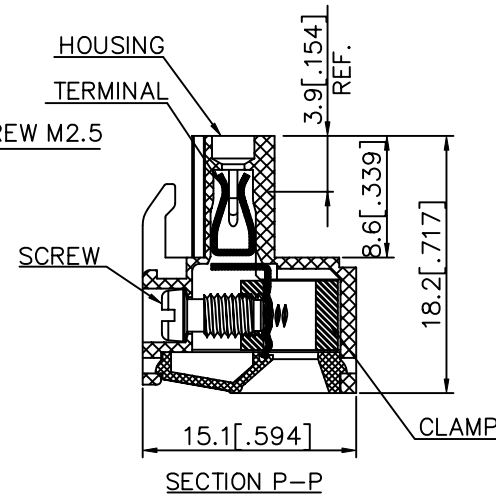
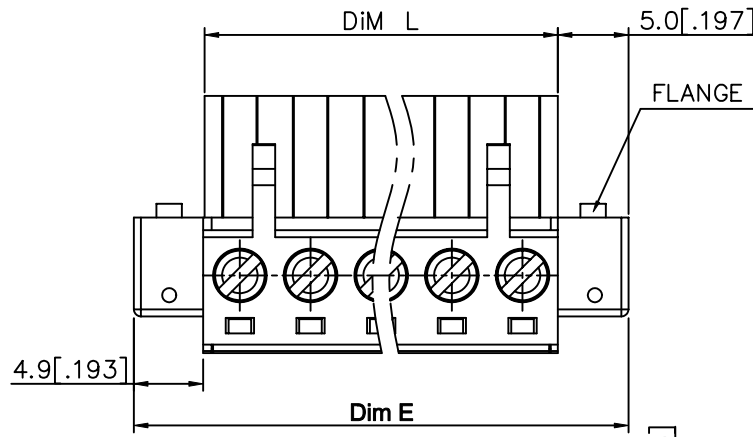
PRODUCT NUMBER	SERIES NAME	PITCH
20020003-GXXXXXL	01-500	5.00 mm



N= NUMBER OF POLES

Dim L	$N \times 5.0 [.197]$
Dim B	$(N-1) \times 5.0 [.197]$
Dim C	$N \times 5.0 [.197] + 0.10 [.004]$
Dim D	$(N+1) \times 5.0 [.197]$
Dim E	$(N+2) \times 5.0 [.197]$

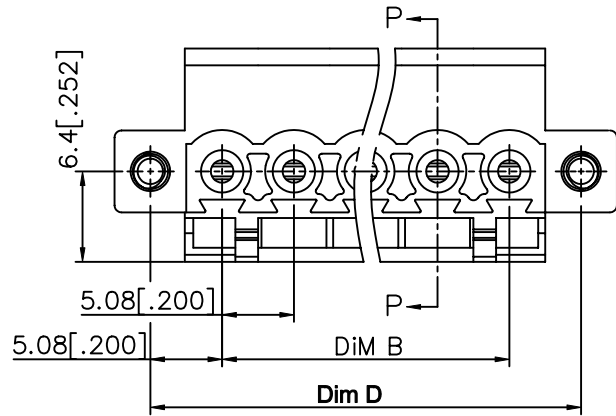
Poles	Tolerance
2P-5P	$\pm 0.15 [.006]$
6P-10P	$\pm 0.20 [.008]$
11P-15P	$\pm 0.25 [.010]$
16P-20P	$\pm 0.30 [.012]$
21P-24P	$\pm 0.40 [.016]$



mat'l. code	surface ASME Y14.5	tolerance ASME Y14.5	projection	product family TERMINAL BLOCK
ltr	ecn no	dr	date	title TERMINAL BLOCK PLUGGABLE, PLUG, SIGNAL, W/FLANGE CONTACT UP SIDE
E				MM INCH
	angles	in	in	scale
	$X \pm 1^\circ$	$X \pm 0.5 [.020]$	$X.X \pm 0.3 [.012]$	$X.XX \pm 0.1 [.004]$
	dr	WENDY CHEN	042310	FCI
	enr	JASON HSU	042310	dwg no
	chr	GARY HSIEH	042310	sheet 2 of 3 size
	appd	JOSEPH HSIA	042310	20020003
sheet index	revision sheet			A4
				type CUSTOMER Drawing



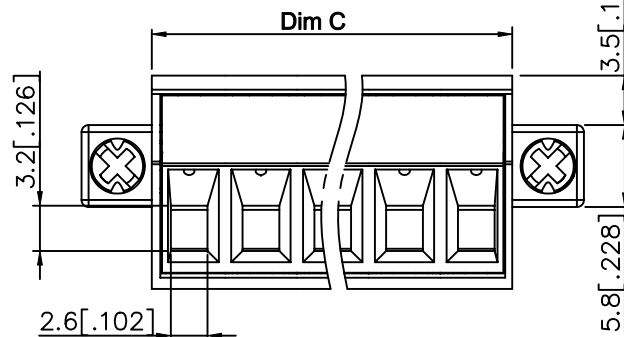
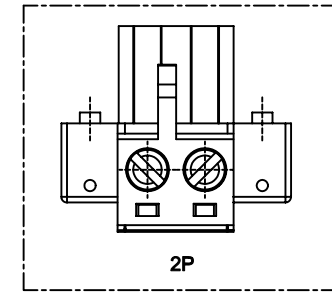
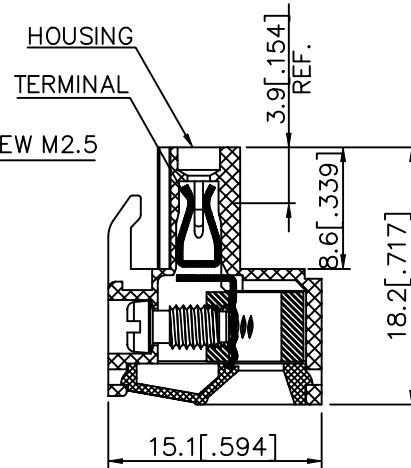
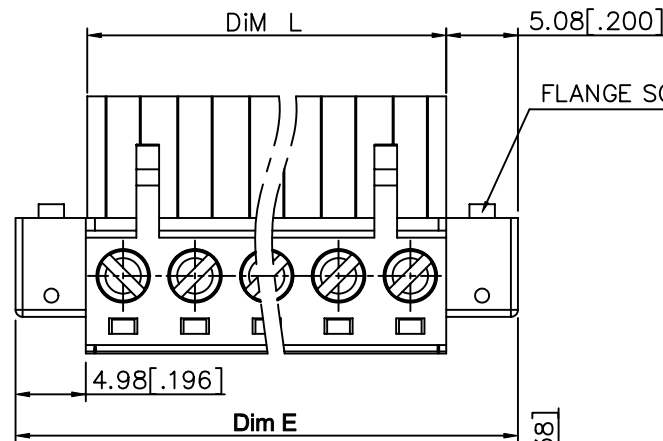
PRODUCT NUMBER	SERIES NAME	PITCH
20020003-HXXXXXLF	01-508	5.08 mm



N= NUMBER OF POLES

Dim L	$N \times 5.08 [.200]$
Dim B	$(N-1) \times 5.08 [.200]$
Dim C	$N \times 5.08 [.200] + 0.10 [.004]$
Dim D	$(N+1) \times 5.08 [.200]$
Dim E	$(N+2) \times 5.08 [.200]$

Poles	Tolerance
2P-5P	$\pm 0.15 [.006]$
6P-10P	$\pm 0.20 [.008]$
11P-15P	$\pm 0.25 [.010]$
16P-20P	$\pm 0.30 [.012]$
21P-24P	$\pm 0.40 [.016]$



mat'l. code		surface ASME Y14.5 ✓	tolerance ASME Y14.5	projection 	product family TERMINAL BLOCK
ltr	ecn no dr	date		MM INCH scale	title TERMINAL BLOCK PLUGGABLE, PLUG, SIGNAL, W/FLANGE CONTACT UP SIDE
E		angles linear	$X \pm 0.5 [.020]$ $X.X \pm 0.3 [.012]$ $X^{\pm 1}$ $X.XX \pm 0.1 [.004]$		dwg no 20020003
sheet index		revision sheet		type CUSTOMER Drawing	

# Mouser Electronics

Authorized Distributor

Click to View Pricing, Inventory, Delivery & Lifecycle Information:

## [Amphenol:](#)

[20020003-H101B01LF](#) [20020003-G031B01LF](#) [20020003-G041B01LF](#) [20020003-G101B01LF](#) [20020003-H021B01LF](#) [20020003-H081B01LF](#) [20020003-G061B01LF](#) [20020003-G081B01LF](#) [20020003-H061B01LF](#) [20020003-H031B01LF](#) [20020003-H151B01LF](#) [20020003-H022B01LF](#)