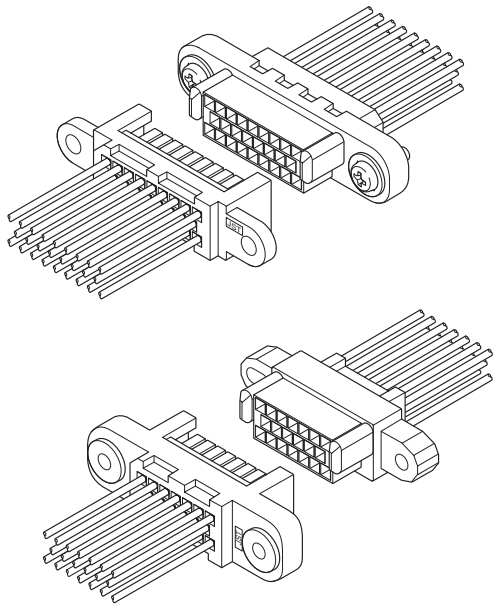




RPJ CONNECTOR

2.7mm pitch/Disconnectable Crimp style Wire-to-wire connectors



The pin and socket are adopted for use as the small rack panel connector.

- Compact design
- Floating mechanism
- Contact lance

Specifications

- Current rating: 2 A AC, DC (AWG #24)
- Voltage rating: 250 V AC, DC
- Temperature range: -25°C to +85°C
(including temperature rise in applying electrical current)
- Contact resistance: Initial value/ 20 mΩ max.
After environmental tests/ 30 mΩ max.
- Insulation resistance: 1,000 MΩ min.
- Withstanding voltage: 1,000 VAC/minute
- Applicable wire: AWG #28 to #24

* Refer to "General Instruction and Notice when using Terminals and Connectors" at the end of this catalog.

* Contact JST for details.

* Compliant with RoHS.

Standards

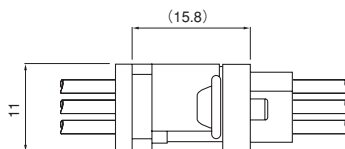
Recognized E60389

Certified LR20812

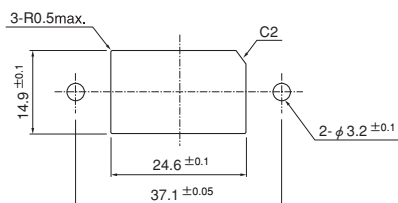
J50185783

Panel layout and Assembly layout

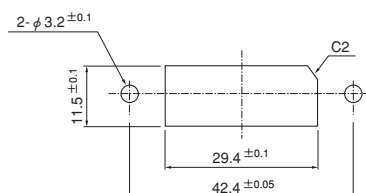
Plug



<20 circuits>



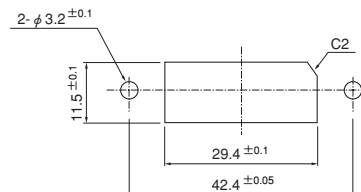
<26 circuits>



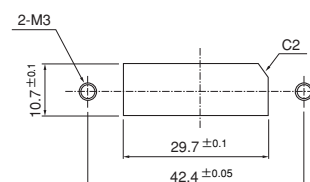
Receptacle



<20 circuits>

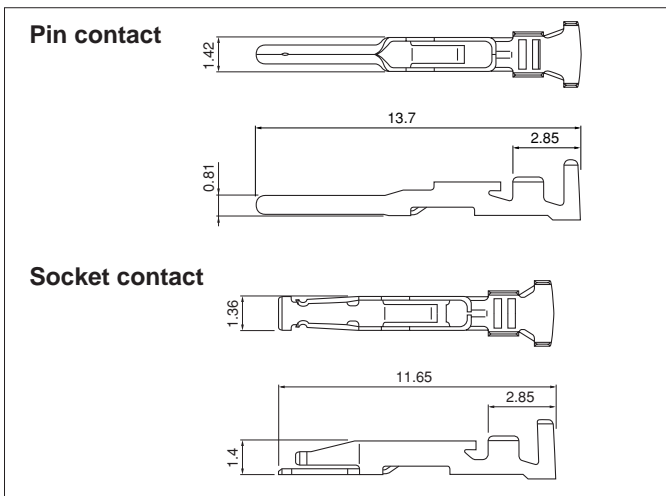


<26 circuits>



RPJ CONNECTOR

Contact



Model No.		Applicable wire		Insulation O.D. (mm)	Q'ty/reel
Pin contact	Socket contact	mm ²	AWG #		
RPJ-SP2331	RPJ-SS2331	0.08~0.22	28~24	0.9~1.5	10,000

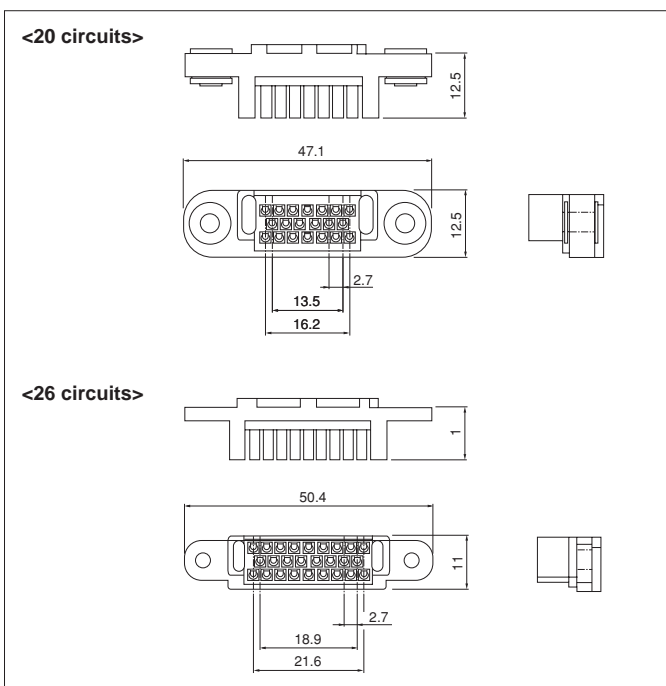
Material and Finish

Phosphor bronze, nickel-undercoated, gold-plated

RoHS compliance

Contact	Crimping machine	Applicator		
		Crimp applicator	Dies	Crimp applicator with dies
RPJ-SP2331	AP-K2N	MKS-L	MK/RPJ-SP/SS2	APLMK RPJ-SP/SS2
RPJ-SS2331		—	—	—

Plug housing (for socket contact)



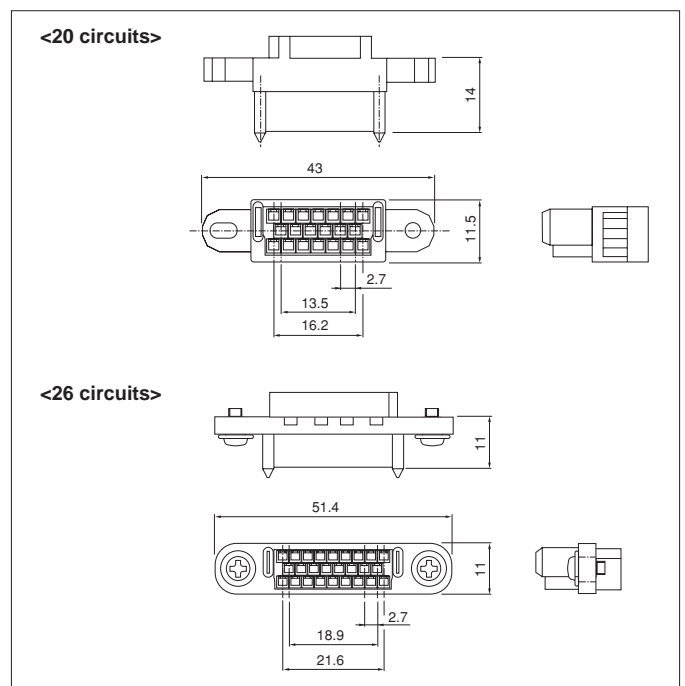
Circuits	Model No.	Q'ty/box
20	RPJ-20PRW	50
26	RPJ-26P	50

Material and Finish

Plug housing: Glass-filled PBT, UL94V-0
 Washer: Brass, nickel-plated (RPJ-20PRW)
 Rivet: Brass, nickel-plated (RPJ-20PRW)

RoHS compliance

Receptacle housing (for pin contact)



Circuits	Model No.	Q'ty/box
20	RPJ-20R	50
26	RPJ-26RS	50

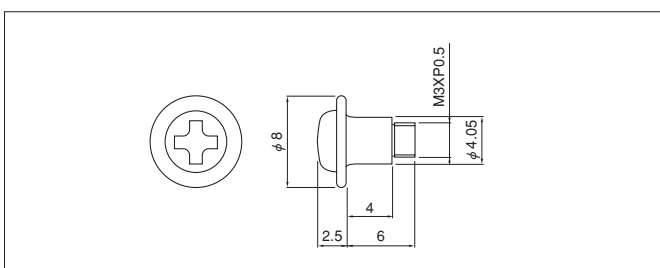
Material

Receptacle housing: Glass-filled PBT, UL94V-0

RoHS compliance

Note: Two screws are supplied under the same package of RPJ-26RS.

Screw



Note: Two screws are supplied for one receptacle housing, RPJ-26RS.