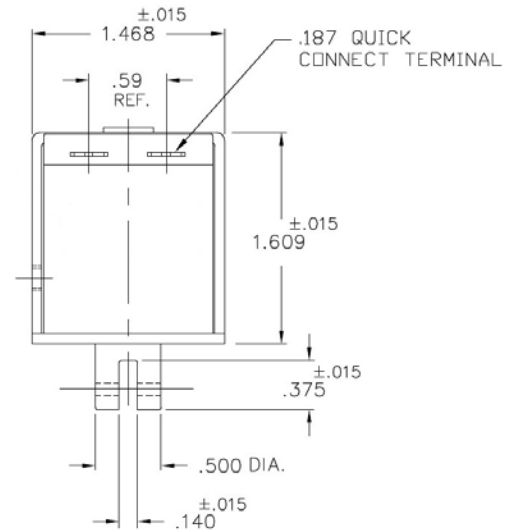
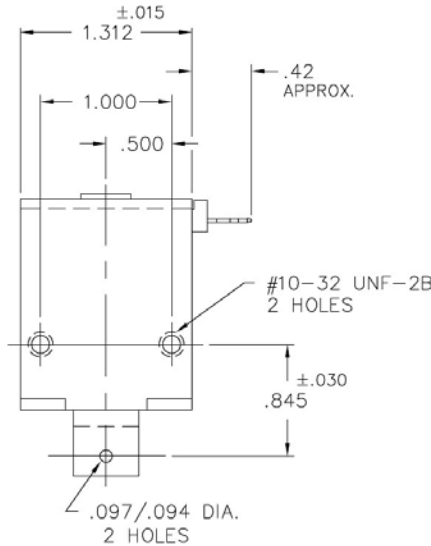


# Model B22

# DC Pull Box Frame Solenoid

Size: 1.61" L x 1.31" W x 1.47" H

ALL PRODUCTS ARE RoHS COMPLIANT



Solenoid shown energized with plunger fully seated

Part No.	Duty Cycle	Voltage	Resistance (Ω) ± 5%	Max On Time	Power (W)	Current (A)
B22-255-M-36	Intermittent	12 VDC	3.64	23 Secs	39.6	3.30
B22-254-M-36	Continuous	12 VDC	14.55	∞	9.9	0.82
B22-254-M-36	Intermittent	24 VDC	14.55	23 Secs	39.6	1.65
B22-253-M-36	Continuous	24 VDC	58.18	∞	9.9	0.41

Continuous Duty = 100% "On" Time  
 Intermittent Duty = 25% "On" Time  
 When ordering please refer to Part No. as listed above  
 Please consult factory for custom configurations

Stroke (in.)	Typical Pull Force (oz.)								Holding Force (oz.)
	0.020	0.040	0.060	0.080	0.125	0.250	0.375	0.500	
Continuous Duty	112.0	80.0	68.8	56.0	35.2	16.0	9.6	6.4	128.0
Intermittent Duty	176.0	153.6	144.0	131.0	112.0	63.2	36.8	24.5	N/A

**Additional Specifications:**

- Dielectric Strength: 1500 VRMS
- Recommended Heat Sink: All force values shown are with no heat sink and 20°C ambient temperature
- Coil Insulation: Class "A" - 105°C max temperature
- Total Unit Weight: 7.5 oz. / 212.6 g
- Plunger Weight: 1.4 oz. / 39.7 g

# Mouser Electronics

Authorized Distributor

Click to View Pricing, Inventory, Delivery & Lifecycle Information:

[Johnson Electric:](#)

[B22-254-M-36](#) [B22-253-M-36](#) [B22-255-M-36](#)