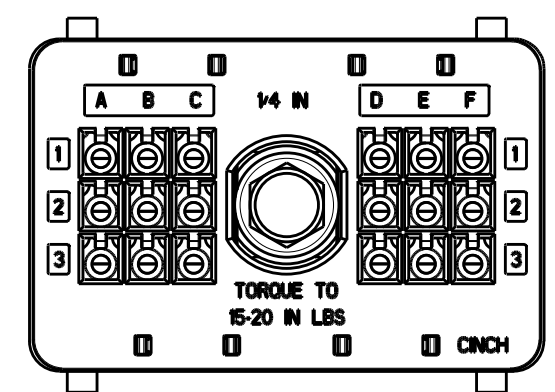
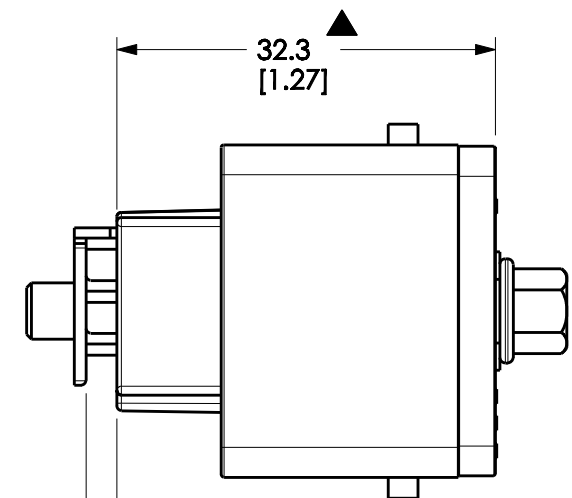
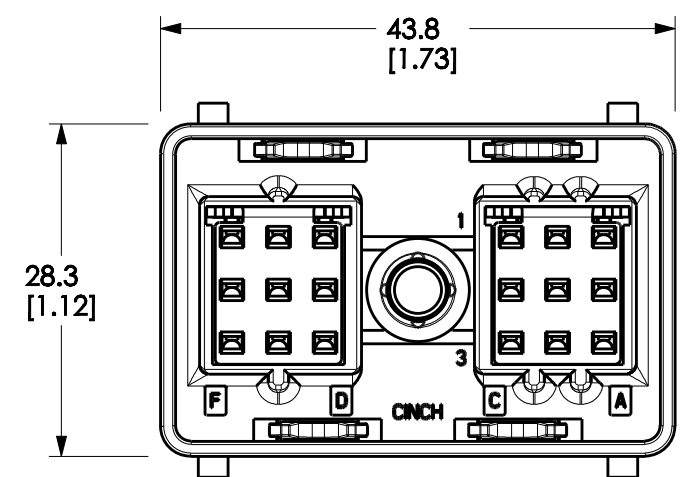
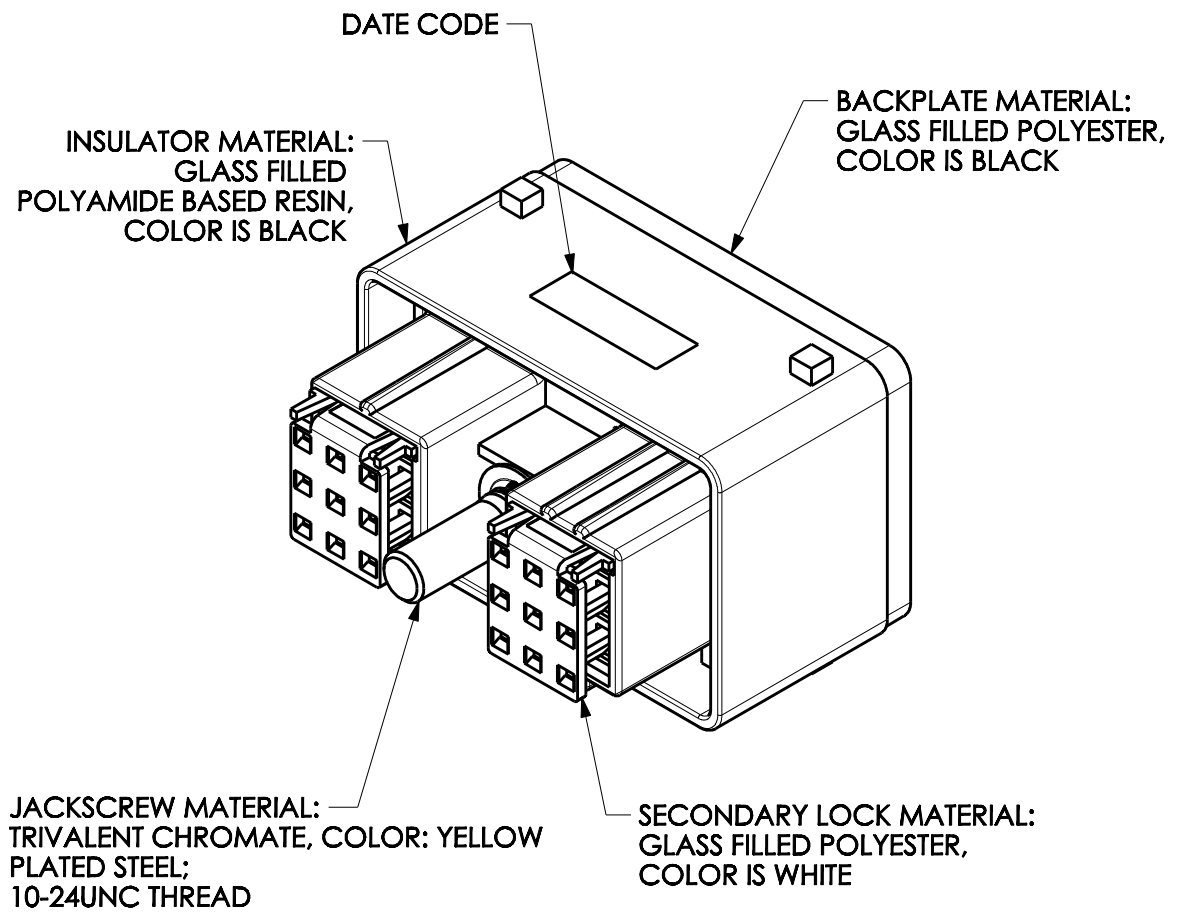


DRAWING REVISIONS (RELEASE DATE ON FILE)			
REV	DOCUMENT	APP	APPROVAL DATE
E	PER CO# 839	V.R.	01/18/10



REAR VIEW

2.6 REF [0.10]
SECONDARY LOCKS SHIPPED
IN PRE-STAGED POSITION



NOTES:

1. DIMENSIONS SHOWN IN MILLIMETERS [INCHES].
2. FOR WIRE SIZE APPLICATIONS, CONSULT FACTORY.
3. FEMALE TERMINALS TO BE ORDERED SEPARATELY: P/N'S 425 00 00 873/872.
4. PART MATES WITH CINCH HEADER CONNECTOR (CONSULT FACTORY).
5. SEAL PLUGS TO BE ORDERED SEPARATELY: P/N 581 00 00 011.
6. DRAWING TOLERANCES (UNLESS OTHERWISE SPECIFIED):
.X = ±0.5
.XX = ±0.25
7. SEALING RANGE FOR WIRE INSULATION DIAMETER:
MAXIMUM: 2.64MM [0.104"]; MINIMUM: 1.96MM [0.077"].
8. A TRIANGLE "▲" INDICATES A CHARACTERISTIC REQUIRING INSPECTION VERIFICATION.
9. IF TIE-WRAP DRESSING CONDUCTORS, CINCH RECOMMENDS A SPACING OF NO LESS THAN 50.8MM [2.00"] BEHIND THE BACK PLATE.

UNITS METRIC		DESIGN ENGINEER PRO/E A.CAINES		DATE 4/25/00		TITLE CINCH 18 POSITION SOCKET CONNECTOR		MODELED BY: 1700 FINLEY RD LOMBARD, IL 60148			
DO NOT SCALE DRAWING <small>UNLESS OTHERWISE SPECIFIED: ALL DIMENSIONS ARE IN mm</small>		APPROVALS ON FILE		MATERIAL		CONTROL SPEC NUMBER		PROJECT NUMBER A14243			
CONFIDENTIAL <small>THIS DOCUMENT IS THE PROPERTY OF CINCH. NEITHER THIS DOCUMENT NOR ANY OF THE INFORMATION CONTAINED IN IT MAY BE DUPLICATED OR DISCLOSED WITHOUT PRIOR WRITTEN CONSENT OF CINCH. ©COPYRIGHT 2009 CINCH</small>				MATERIAL SPEC NUMBER 5810118023		DRAWING NUMBER 5810118023S		SCALE 1.500		SHEET 1 OF 1	
				CAGE IDENT NO. 71785		SIZE B					

Mouser Electronics

Authorized Distributor

Click to View Pricing, Inventory, Delivery & Lifecycle Information:

[Cinch Connectivity Solutions:](#)

[581-01-18-023](#)