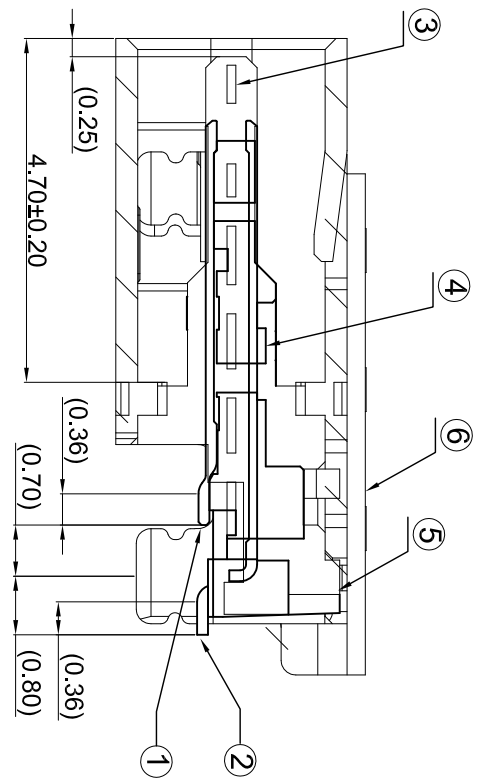
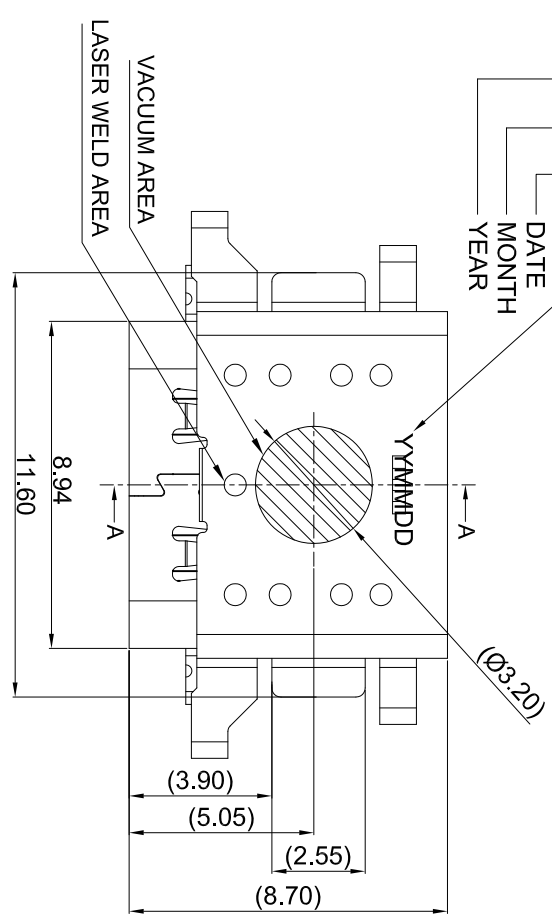


This document is the property of Amphenol Corporation and is delivered on the express condition that it is not to be disclosed, reproduced or used, in whole or in part, for manufacture or sale by anyone other than Amphenol Corporation without its prior consent, & that no right is granted to disclose or to use any information in this document.

CUSTOMER DRAWING

Date Code:
YY MM DD
MONTH
YEAR

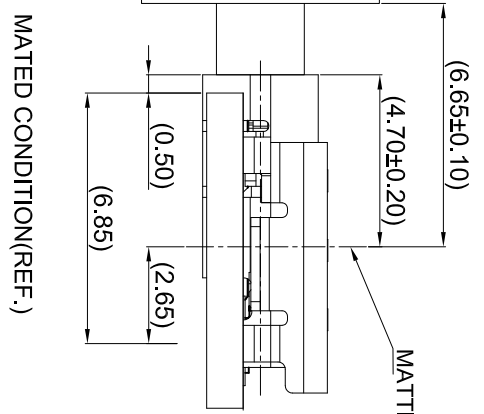
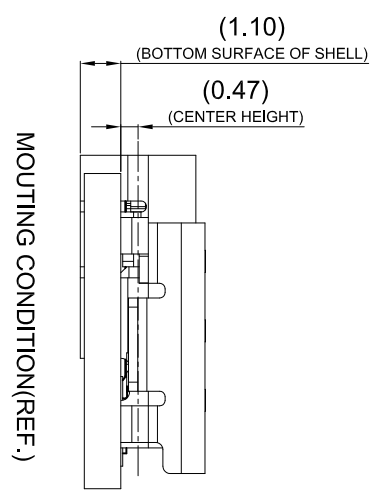
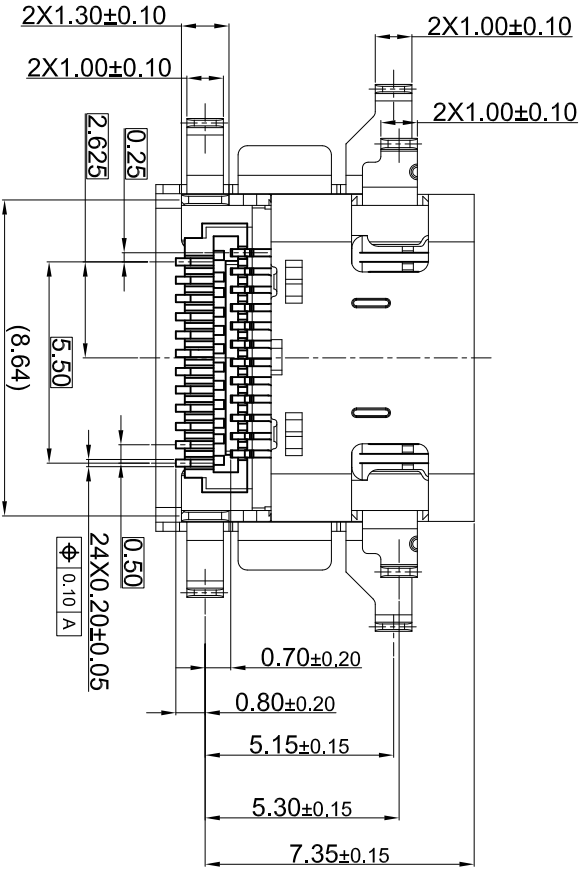
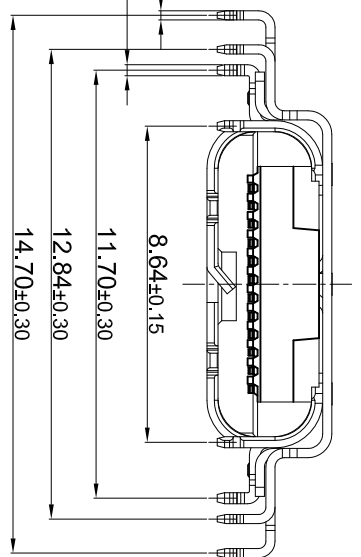
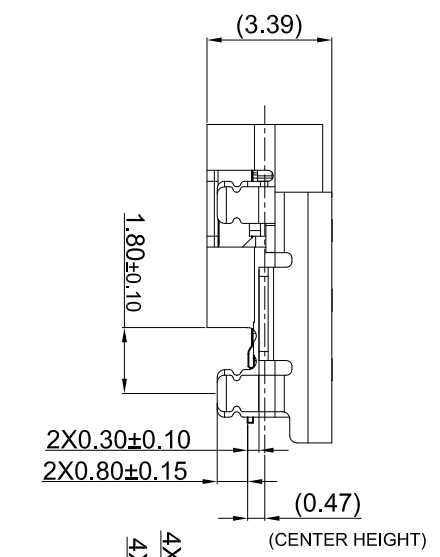
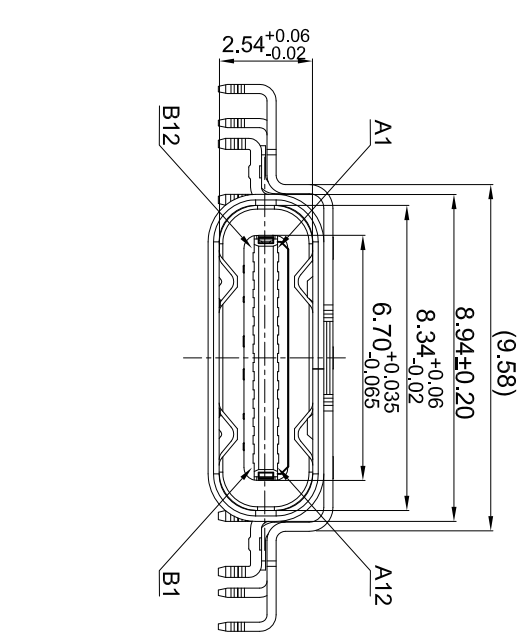


SECTION A-A(剖视图A-A)
SCALE 2:1 (比例 2:1)

REVISIONS				
SYM	EON	DESCRIPTION	DATE	APPROVED
1	***	FIRST RELEASE	2020/08/13	Michaelip
2	***	Update dimensioning	2020/08/18	Michaelip
3	***	Update dimensioning	2020/08/24	Michaelip
4	***	Update dimensioning	2020/08/26	Michaelip
5	***	Update dimensioning	2020/09/03	Michaelip
6	***	Update dimensioning	2020/09/14	Michaelip

Pin定义:

A1	A2	A3	A4	A5	A6	A7	A8	A9	A10	A11	A12
GND	TX1+	TX1-	Vbus	CC1	D+	D-	SBU1	Vbus	RX2-	RX2+	GND
GND	RX1+	RX1-	Vbus	SBU2	D-	D+	CC2	Vbus	TX2-	TX2+	GND
B12	B11	B10	B9	B8	B7	B6	B5	B4	B3	B2	B1



ITEM	DESCRIPTION	QTY	MATERIAL	FINISH	REMARK
6	OUT SHELL	1	STAINLESS STEEL	NICKEL PLATING	
5	INT SHELL	1	STAINLESS STEEL	NICKEL PLATING	
4	MAIN HOUSING	1	HIGH TEMPERATURE	COLORBLACK	
3	MID PLATE	1	STAINLESS STEEL		
2	BOTTOM TERMINAL	1	COPPER ALLOY		MATING SIDE: 20µ Au on 279µ Ni underplate
1	TOP TERMINAL	1	COPPER ALLOY		SOLDER TAIL: 21µ Au on 279µ Ni underplate

UNLESS OTHERWISE SPECIFIED		APPROVAL		DATE	
TOLERANCES	U.S.	U.S.	METRIC	DRAWN	CHKD
X	+/-	0.50	0.50	Michael	Michael
XX	+/-	0.25	0.25		
XXX	+/-	0.10	0.10		
ANGLES		3°		DRAWING FILE :	

FOR MATERIALS AND FINISHES		APPROVAL		DATE	
SEE NOTES REMOVE SHARP EDGES	DIMENSIONS	U.S.	METRIC	DRAWN	CHKD
U.S.	INCHES	0.50	0.50	Michael	Michael
(METRIC)	(MM)	0.25	0.25		
ANGLE OF PROJECTION		3°		DRAWING FILE :	

Amphenol
Amphenol East Asia Limited
Customer Drawing For
USB Type C 4.0 socket connector, R/A, Middle mount,
Double SMT type, CH=0.47mm, No Water proof
SIZE: A3
DRAWING NO.: 12402075
SCALE: NONE
SHEET: 1 OF 2
REV.: 6

