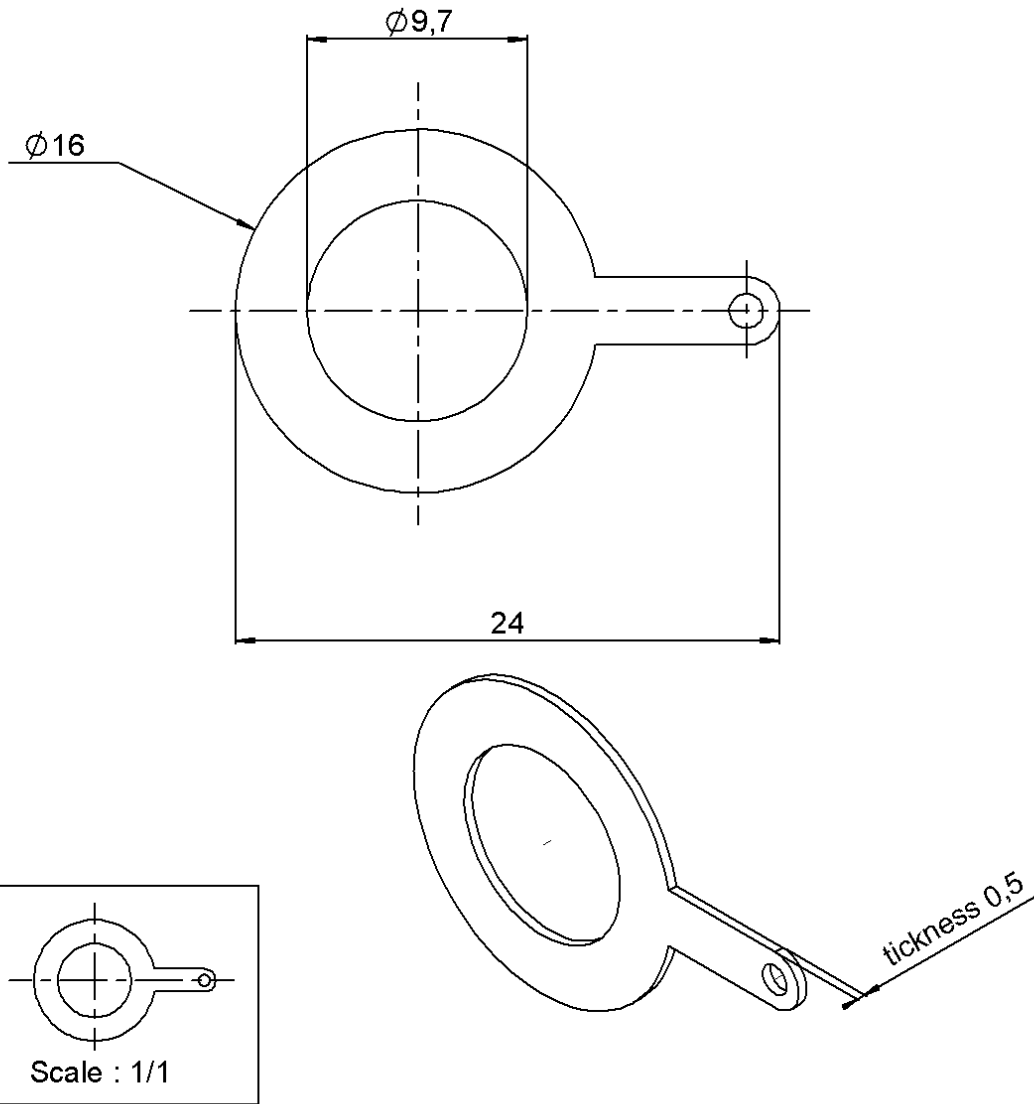


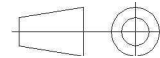
**SOLDER TAG PACK 100**

**R280.490.020**

Series : ACC-COAX



All dimensions are in mm.



COMPONENTS	MATERIALS	PLATING (µm)
BODY	BRASS	NICKEL 2
CENTER CONTACT	-	-
OUTER CONTACT	-	-
INSULATOR	-	-
GASKET	-	-
OTHERS PARTS	-	-

Operating temperature : °C  
 Weight : 0,6300 g  
 Others characteristics : -

Issue : 1050 A

In the effort to improve our products, we reserve the right to make changes judged to be necessary.

