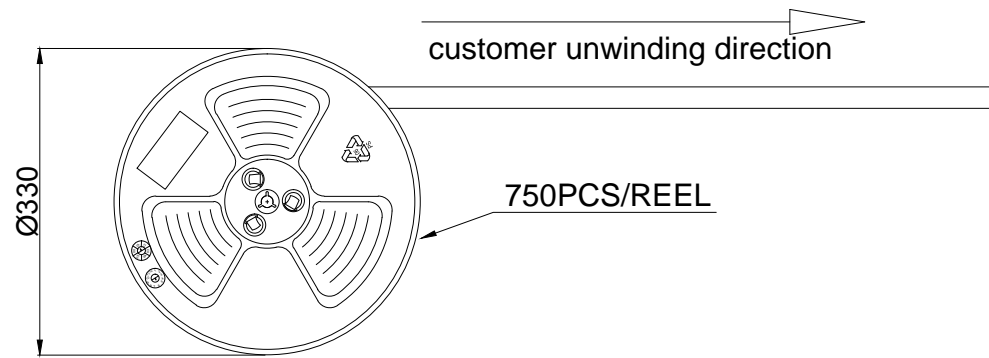
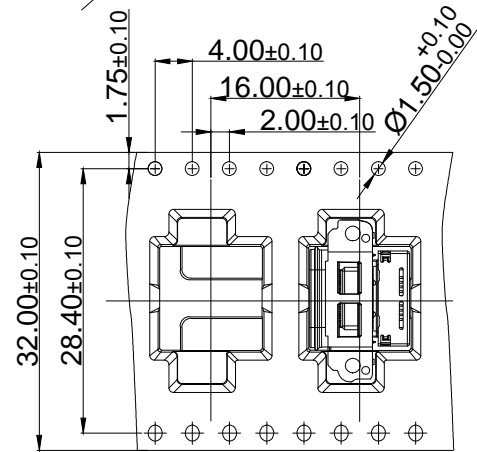
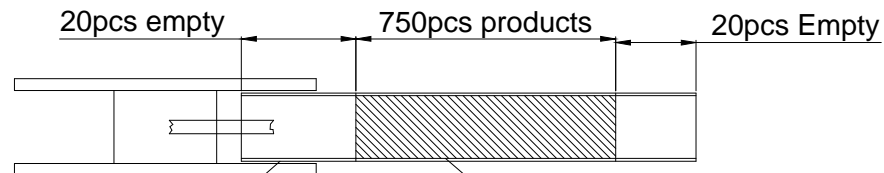
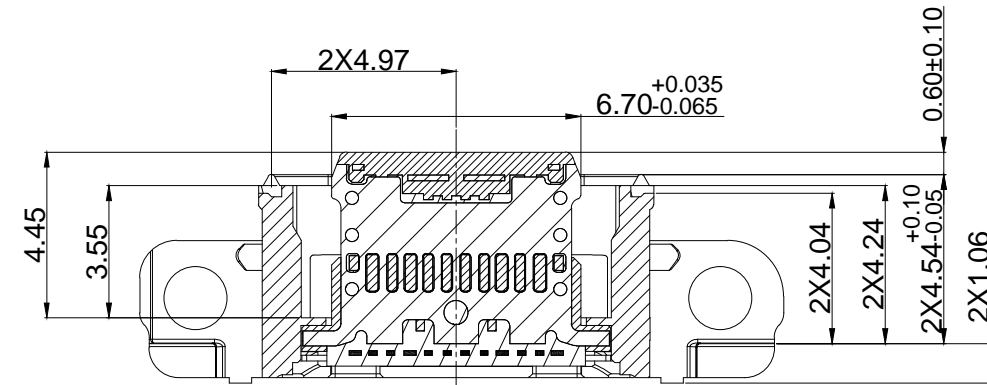


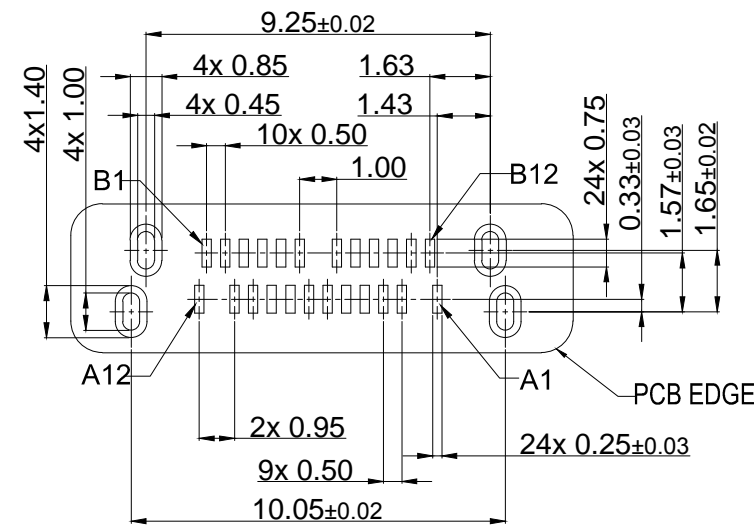
SYMBOL		REVISIONS	DATE	APPROVED
SYM	ECN	DESCRIPTION		
		SEE PAGE 1		



PACK DIRECTION

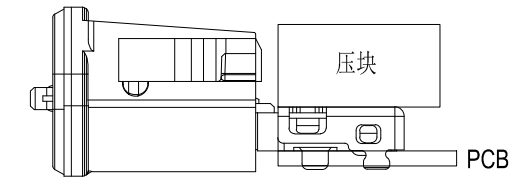


SECTION A-A
(剖视图 A-A)



RECOMMENDED PCB LAYOUT
(Tolerance=±0.05)

钢网厚度0.1mm, 钢网开口比例(焊盘:钢网) 1: 1.2



焊板示意图

GENERAL	TOLERANCE	FILE.NO.	C12401928	PART.NO.	124019282112A	DRAWN	Allan.Lai	MATERIAL		SCALE	1:1
X.±0.20	x.°± 5°	REV.	B	TITLE	USB TYPE C 3.1 CONNECTOR (WATER PROOF)	CHECKED	Weison.Lu	DATE	2018.12.27	UNIT	MM
.X±0.10	.x°± 2°	SIZE		SHEET	2/2	APPROVED	Tom	Amphenol Shouhmin Industry			
.XX±0.05	.xx± 1°	A4									

Mouser Electronics

Authorized Distributor

Click to View Pricing, Inventory, Delivery & Lifecycle Information:

[Amphenol:](#)

[124019282112A](#)