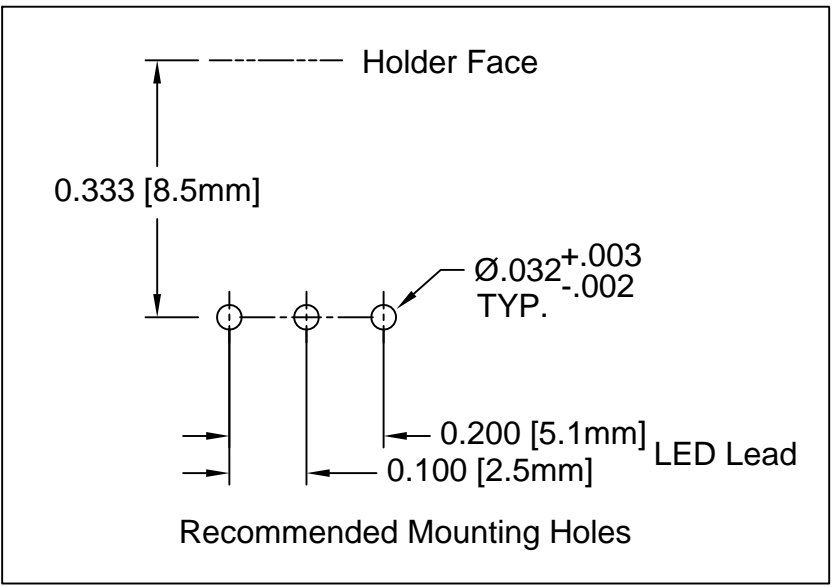
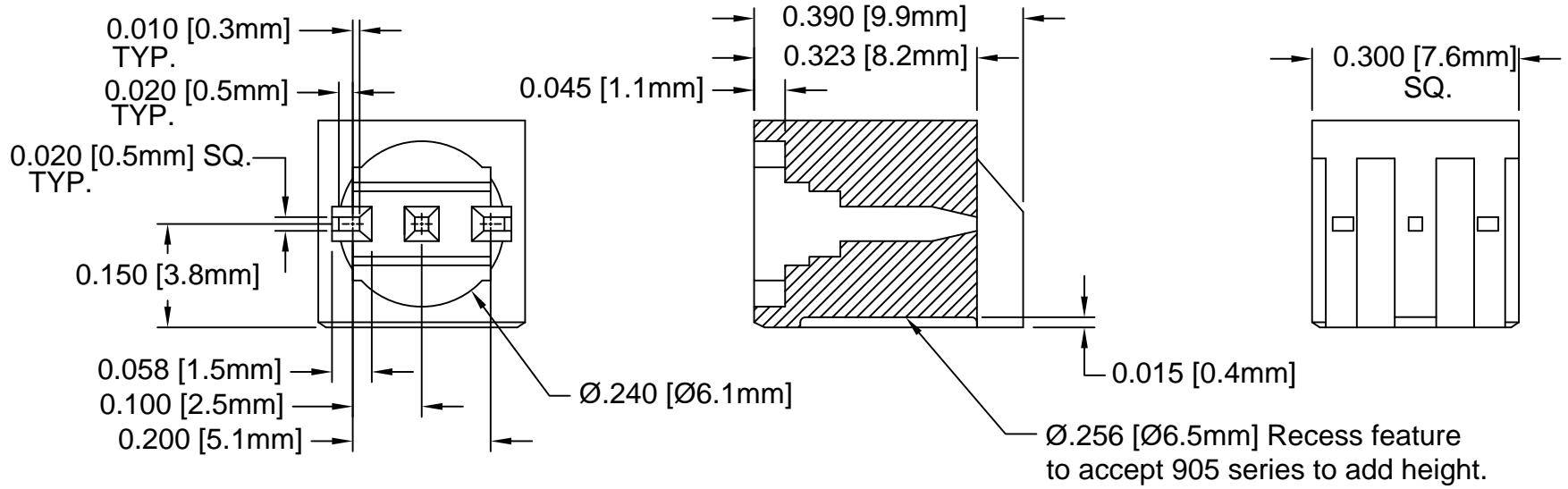

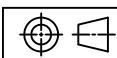


REV.	DESCRIPTION	DATE	APPROVED
B	Engineering Update w/o Changes	02/23/04	M. C.
C	Updated Recommended Mounting Holes	08/31/07	M. C.
D	Removed Material Code	05/28/16	J. C.



- 2. MATERIAL: NYLON 6/6, 94V-2, NATURAL.
- 1. GENERAL SPECIFICATIONS: BIVAR MOLDED COMPONENT SPECIFICATION BV00-E101.

STANDARD TOLERANCE (UNLESS OTHERWISE SPECIFIED)		 4 THOMAS, IRVINE, CA. 92618 TEL: (949) 951-8808 FAX: (949) 951-3974	
DECIMALS	ANGULAR		
.X ± .1	X° ± 1°		TITLE: SINGLE T-1(3mm) LED HOLDER
.XX ± .01			DESIGNED: <b>D. Green</b>
.XXX ± .005		CHECKED: <b>M. Chen</b>	DATE: <b>07/14/03</b>
		PART NO: 920-300	REVISION: <b>D</b>
		CAGE CODE : 32559	SHEET # 1 OF 1
CAD GENERATED DOCUMENT, DO NOT MEASURE DRAWING.			

# Mouser Electronics

Authorized Distributor

Click to View Pricing, Inventory, Delivery & Lifecycle Information:

[BIVAR:](#)

[920-300](#)