

1) PER RAPPRESENTAZIONE DIMA CONTROPARTE
VEDERE FOGLIO 2 DI 2.
(FOR COUNTERPART DETAIL SEE SHEET 2 OF 2)

AGGANCIAMENTO SECONDARIO, COLORE BIANCO, PRE-ASSEMBLATO
(SECONDARY LOCK, COLOUR WHITE, IN PRE-ASSEMBLED POSITION)

BIANCO (WHITE)	PA 6.6 - GF20%	1745083-1
FINITURA / COLORE (FINISH / COLOUR)	ACC.TO IEC 60335-1	NUMERO (PART NUMBER)
CUSTOMER DWG. FOR REFERENCE ONLY		DISEGNO PER CLIENTE SOLO PER RIFERIMENTO
THIS DRAWING IS UNPUBLISHED		RELEASE FOR PUBLICATION 19
© COPYRIGHT IS BY AMP INCORPORATED, HARRISBURG, PA. ALL INTERNATIONAL RIGHT RESERVED. AMP PRODUCTS MAY BE COVERED BY U.S. AND FOREIGN PATENT AND/OR PATENT PENDING		
TOLLERANZE: SE NON DIVERSAMENTE SPECIFICATO (TOLERANCES, UNLESS OTHERWISE SPECIFIED)	DIAM. ISOLANTE (INS. DIA. RANGE)	RANGO FILO (WIRE RANGE)
± 0.3	-	-
ANGOLI (ANGLES)	SCALA (SCALE)	
± 2°	-	
DIS. (DR.)	10-4-2006	DESCRIZIONE (DESCRIPTION)
M. PALMA	10-4-2006	3 POS. PLUG ASS'Y
A1 RELEASED FOR PRODUCTION (ECR-06-028933)	18-12-06 CONT. (CHK)	AMP SUPERSEAL 1.5 SERIES CONN.
A FIRST ISSUE	10-4-06 M.P.	R. MARTINI
REV. (REV. NO.)	REVISIONI (REVISION RECORD)	DIS. DATA (DR. DATE)
		APP. (APP.)
		10-4-2006
		A. GENTA
		LOC. SIZE NUMERO (DWG NO)
		I A3 C-1745083
		REV. FOGLIO (SHEET)
		A1 1 DI (COP) 2

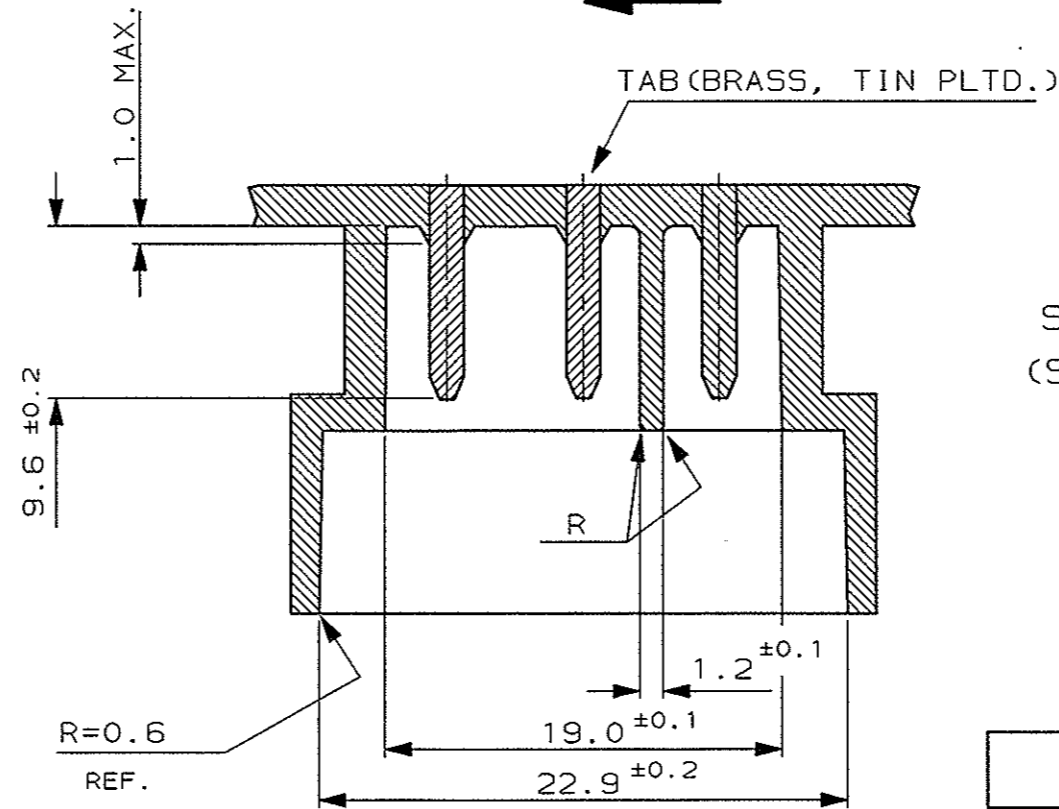
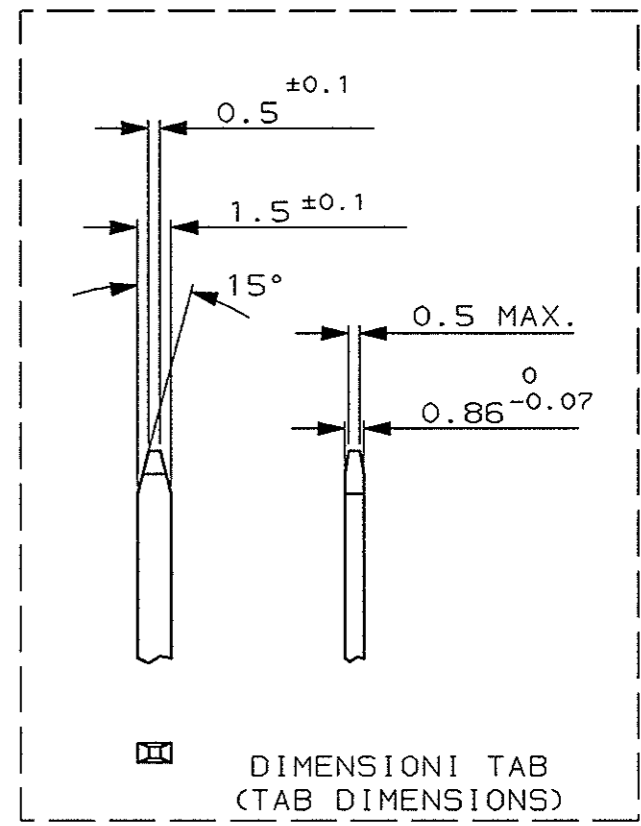
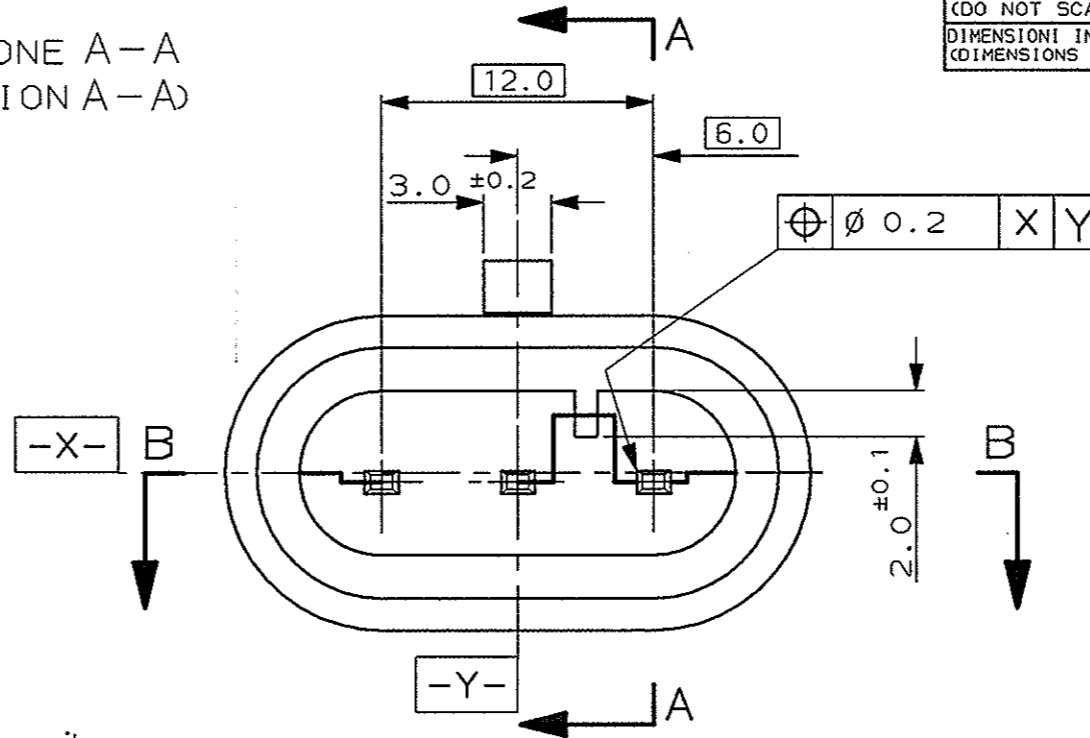
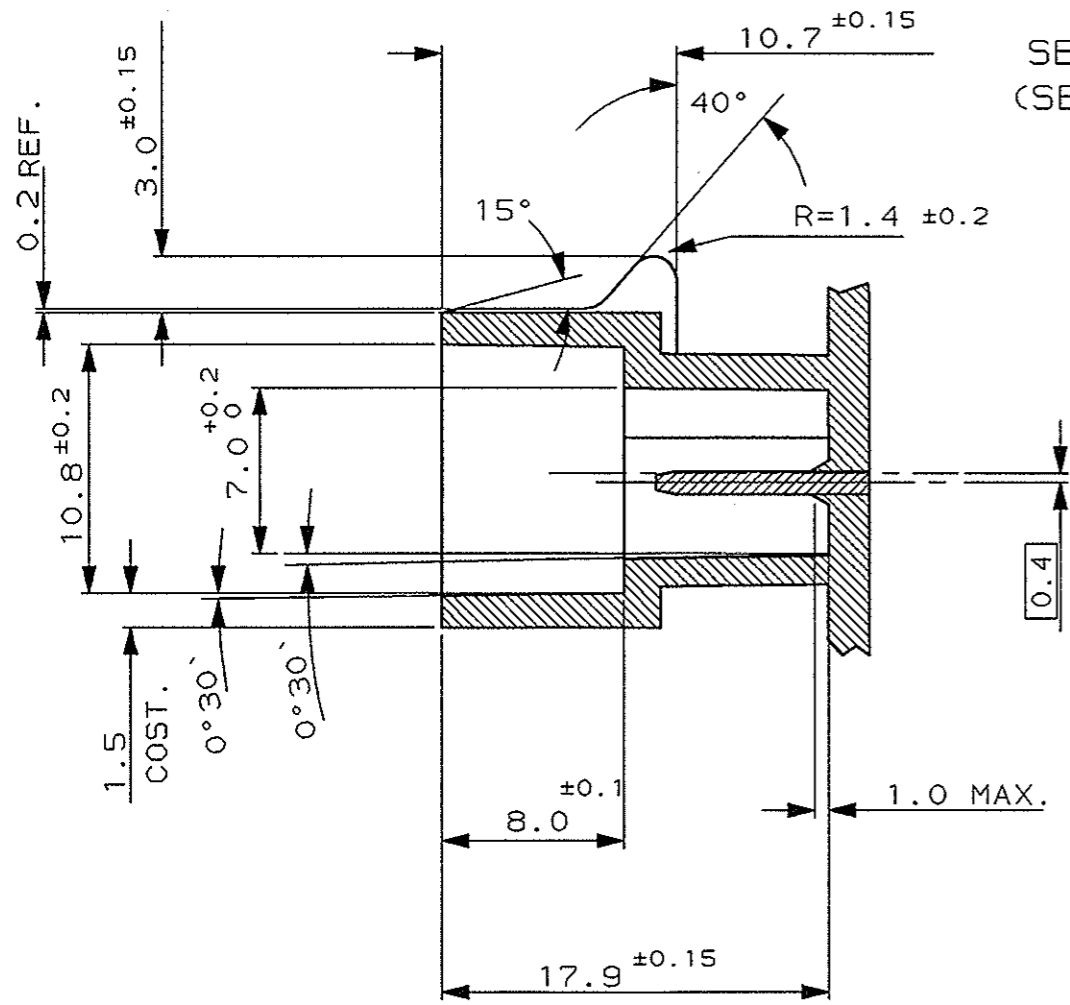
DISTRIBUZIONE
(PRINT DIST.)

SCALA NON IMPEGNATIVA
(DO NOT SCALE)
DIMENSIONI IN
(DIMENSIONS IN) mm

METRIC

PROIEZIONE EUROPEA
(EUROPEAN PROJECTION)

SEZIONE A-A
(SECTION A-A)



SEZIONE B-B
(SECTION B-B)

RAPPRESENTAZIONE DIMA CONTROPARTE
(COUNTERPART DETAIL AS SHOWN)

	PA 6.6 - GF FILLED ACC. TO IEC 60335-1	
FINITURA / COLORE (FINISH / COLOUR)	MATERIALE (MATERIAL)	NUMERO (PART NUMBER)
CUSTOMER DWG. FOR REFERENCE ONLY		DISEGNO PER CLIENTE SOLO PER RIFERIMENTO
THIS DRAWING IS UNPUBLISHED		RELEASE FOR PUBLICATION 19
© COPYRIGHT 19 BY AMP INCORPORATED, HARRISBURG, PA. ALL INTERNATIONAL RIGHT RESERVED. AMP PRODUCTS MAY BE COVERED BY U.S. AND FOREIGN PATENT AND/OR PATENT PENDING		
TOLLERANZE, SE NON DIVERSAMENTE SPECIFICATO (TOLERANCES, UNLESS OTHERWISE SPECIFIED)	DIAM. ISOLANTE (INS. DIA. RANGE)	RANGO FILO (WIRE RANGE)
± 0.3	-	-
ANGOLI (ANGLES)	tyco Electronics	
± 2°	AMP ITALIA S.p.A. Corso F.lli Cervi, 15 COLLEGNO (TORINO)	
DIS. (DR.)	DESCRIZIONE (DESCRIPTION)	
10/4/2006 M. PALMA	3 POS. PLUG ASS'Y AMP SUPERSEAL 1.5 SERIES CONN.	
VEDERE FOGLIO 1 DI 2 (SEE SHEET 1 OF 2)	CONT. (CHK)	APP. (APP.)
10/4/2006 R. MARTINI	10/4/2006 A. GENTA	
REV. (REV.)	DIS. (DR.)	DATA (DATE)
REVISIONI (REVISION RECORD)	LOC. SIZE	NUMERO (DWG NO)
	I A3	C-1745083
	REV.	FOGLIO (SHEET)
	A1	21 OF 2

DISTRIBUZIONE
(PRINT DIST.)