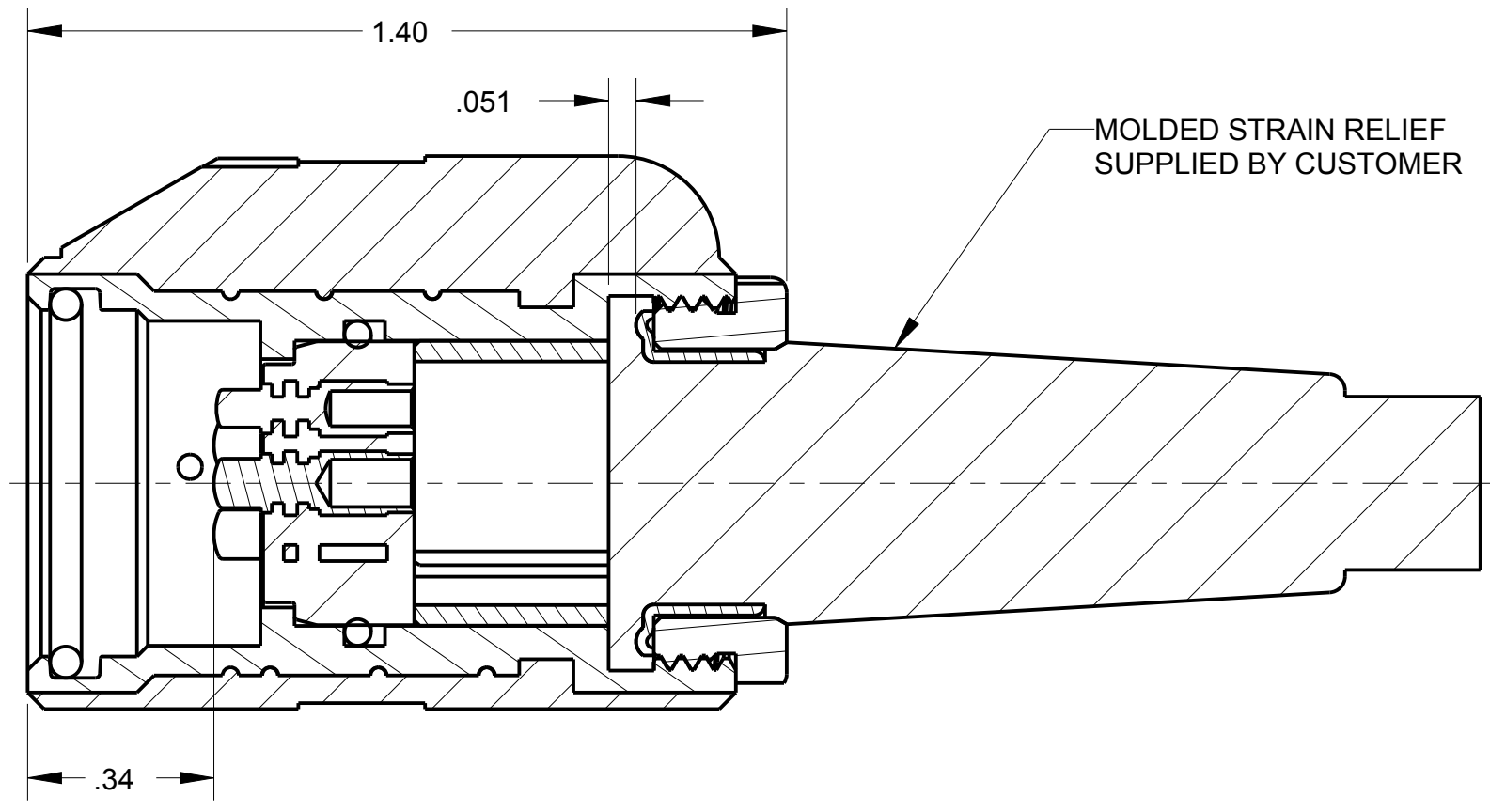
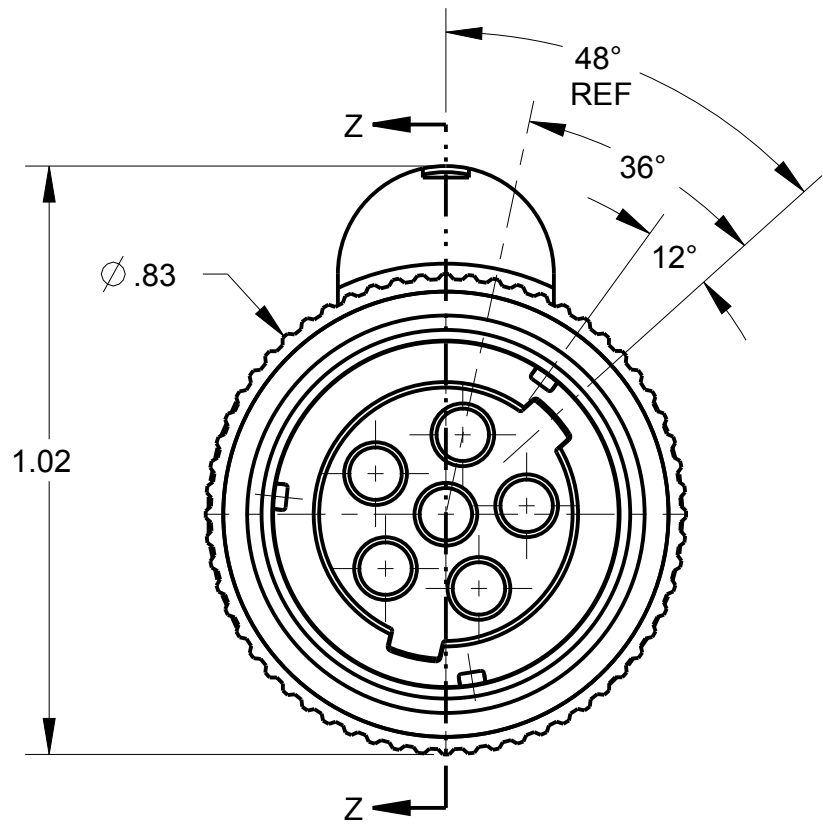
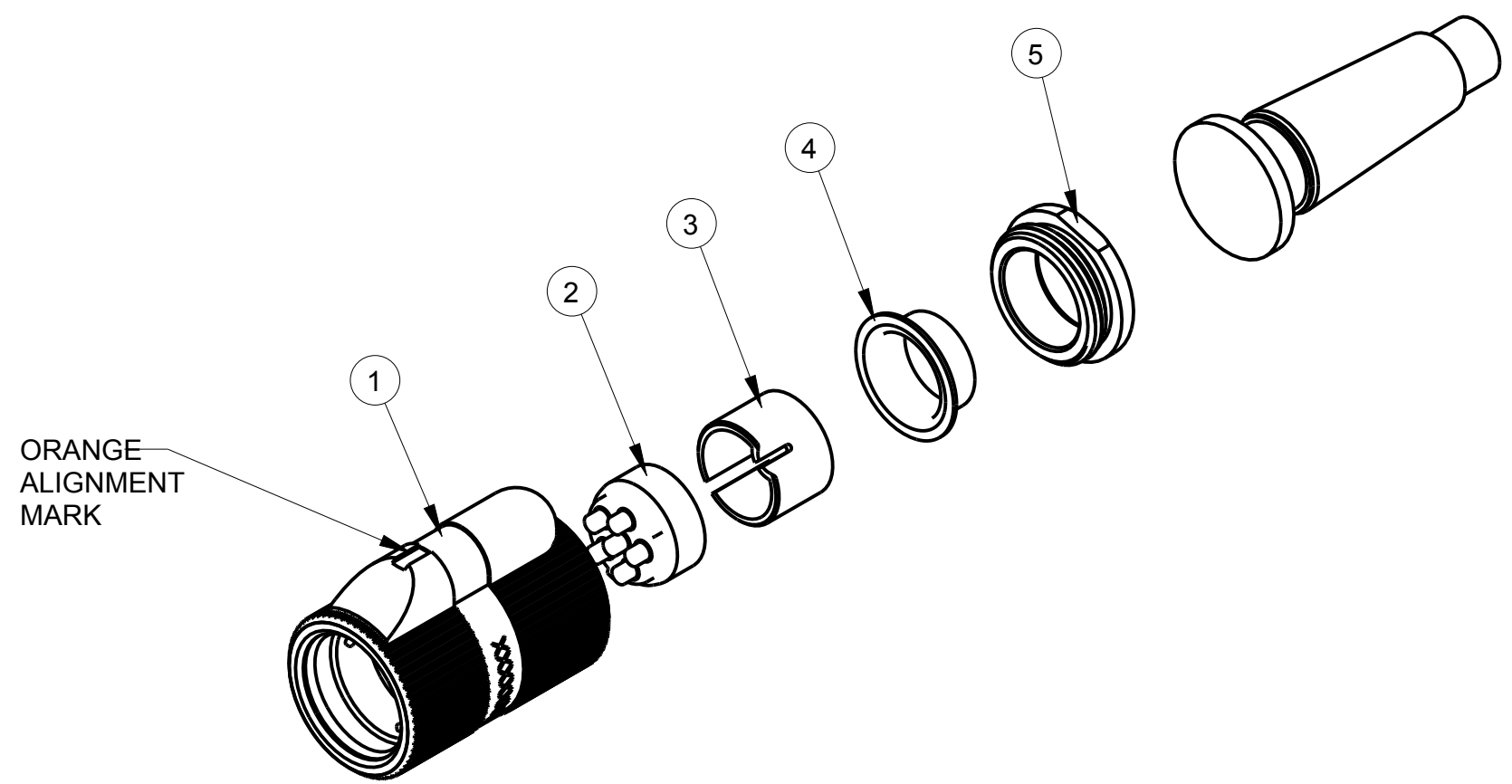


ITEM #	PART #	QTY	DESCRIPTION	MATERIAL
1	SEE TABLE #1	1	SHELL ASS'Y	GLASS FILLED NYLON & 303 SS
2	AP-126-6	1	INSERT ASS'Y	DIALLYPHTHALATE, TYPE SDGF & GOLD PLATED BRASS
3	AP-105-5	1	STRAIN RELIEF	NYLON
4	AP-105-6	1	FERRULE	STAINLESS STEEL
5	AP-105-8	1	NUT CLAMP	NYLON, BLACK PER MIL-P-17091

C AP-156-CP

TABLE #1			
AUDIO PLUG #	MILITARY PART #	SHELL ASS'Y	Ø CABLE
AP-156/6-1	M55116/6-1	AP-156-1	Ø .165 ± .010
AP-156/6-2	M55116/6-2	AP-156-2	Ø .228 ± .010
AP-156/6-3	M55116/6-3	AP-156-3	Ø .250 ± .010
AP-156/6-4	M55116/6-4	AP-156-4	Ø .290 ± .010
AP-156/6-5	M55116/6-5	AP-156-5	Ø .320 ± .010



SECTION Z-Z

NOTES:
 1) UNLESS OTHERWISE SPECIFIED, CONNECTOR MEETS ALL GENERAL REQUIREMENTS & SPECIFICATIONS OF MIL-C-55116
 2) THE DASH NUMBERS AGREE WITH CUSTOMER SUPPLIED MOLDED STRAIN RELIEF

THIS DOCUMENT CONTAINS PROPRIETARY INFORMATION OF NEXUS, INCORPORATED AND SUCH INFORMATION MAY NOT BE DISCLOSED TO OTHERS FOR ANY PURPOSE OR USED FOR ANY PURPOSE WITHOUT THE WRITTEN CONSENT OF NEXUS.

DWN.BY	MNF	DATE	2/4/97	MATERIAL	
CHECKED BY	L SMITH	DATE	9/9/97	FINISH	
APPR.BY	L SMITH	DATE	9/9/97	WEIGHT	SCALE = 1.00 :1
UNLESS OTHERWISE SPECIFIED DIMENSIONS ARE IN INCHES & OR (mm)				TITLE	
TOLERANCES:				AUDIO PLUG	
DECIMAL:				NEXUS STAMFORD, CONN	
±.XX(X.X) ±.XXX(X.XX) ±.XXXX(X.XXX)				SIZE	DWG. NO.
±.0X(0.X) ±.00X(0.0X) ±.000X(0.0XX)				C	AP-156-CP
FRACTION: ±X/XX ± X/XX				DO NOT SCALE DWG. SHEET 1 OF 1	
ANGLES: ±X ° ±X °					

Mouser Electronics

Authorized Distributor

Click to View Pricing, Inventory, Delivery & Lifecycle Information:

Amphenol:

[AP-156/6-5](#) [AP-156/6-4](#) [AP-156/6-1](#) [AP-156/6-2](#) [AP-156/6-3](#) [M55116/6-2](#) [M55116/6-5](#) [M55116/6-1](#) [M55116/6-3](#)
[M55116/6-4](#)