



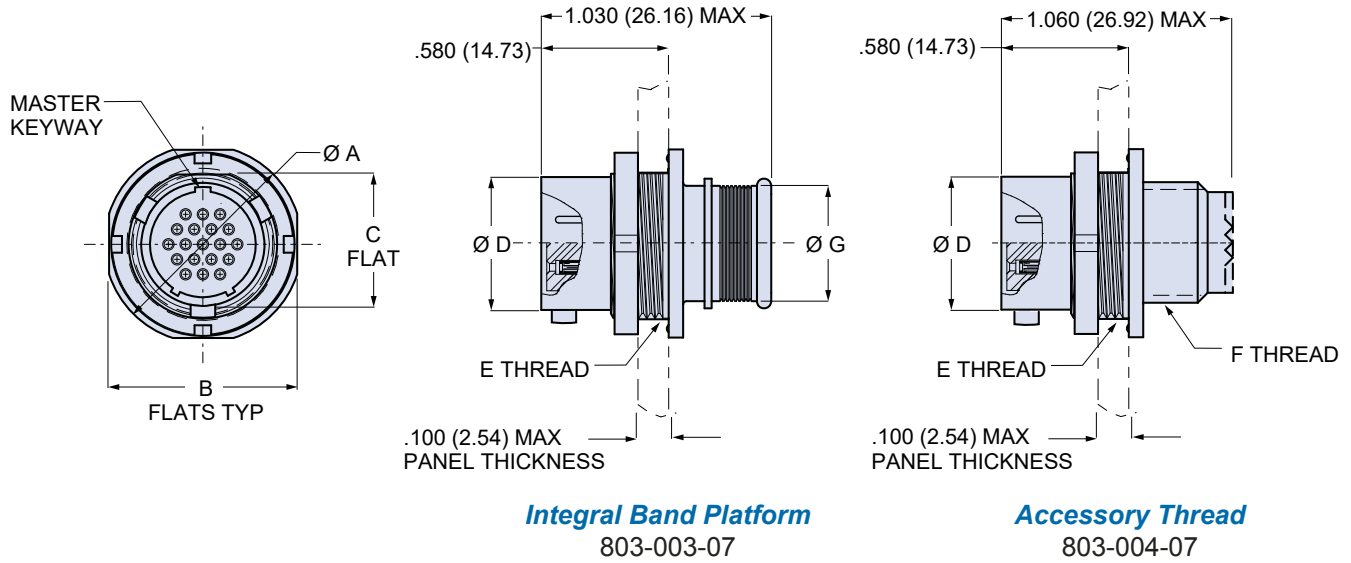
# Series 803 Mighty Mouse ¼ Turn Bayonet Coupling Receptacle with Crimp Removable Contacts

## 803-004-07 and 803-003-07 Dimensions



Series 803

### Jam-nut rear panel mount receptacle - shell style 07



Dimensions							
Shell Size	Ø A	B Flats	C Flat	Ø D	E Thread	F Thread	Ø G
5	.575 (14.60)	.545 (13.84)	.350 (8.89)	.300 (7.62)	.3750-32 UNEF-2A	.2500-32 UNEF-2A	.230 (5.84)
6	.635 (16.13)	.595 (15.11)	.410 (10.41)	.362 (9.19)	.4375-28 UNEF-2A	.3125-32 UNEF-2A	.286 (7.26)
7	.755 (19.18)	.723 (18.36)	.536 (13.61)	.436 (11.07)	.5625-32 UN-2A	.4375-28 UNEF-2A	.390 (9.91)
8	.755 (19.18)	.790 (20.07)	.593 (15.06)	.508 (12.90)	.6250-28 UN-2A	.5000-28 UNEF-2A	.440 (11.18)
9	.830 (21.08)	.790 (20.07)	.596 (15.14)	.561 (14.25)	.6250-28 UN-2A	.5625-24 UNEF-2A	.500 (12.70)
10	.890 (22.61)	.925 (23.50)	.721 (18.31)	.635 (16.13)	.7500-28 UN-2A	.6250-24 UNEF-2A	.562 (14.27)
12	1.078 (27.38)	1.044 (26.52)	.845 (21.46)	.714 (18.14)	.8750-28 UN-2A	.6875-24 UNEF-2A	.650 (16.51)
14	1.264 (32.11)	1.230 (31.24)	1.022 (25.96)	.865 (21.97)	1.0625-20 UN-2A	.9375-20 UNEF-2A	.805 (20.45)

Jam-Nut Panel Cutout Dimensions			
Shell Size	A Flat	Ø B	
		± .002 (.05)	+ .005 (+ 0.13) - .000 (-.00)
5	.355 (9.02)	.380 (9.65)	
6	.415 (10.54)	.442 (11.23)	
7	.541 (13.74)	.577 (14.66) .567 (14.40)	
8	.601 (15.27)	.630 (16.00)	
9	.601 (15.27)	.630 (16.00)	
10	.729 (18.52)	.755 (19.18)	
12	.850 (21.59)	.880 (22.35)	
14	1.031 (26.19)	1.067 (27.10)	

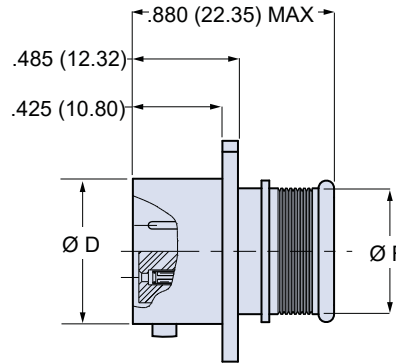
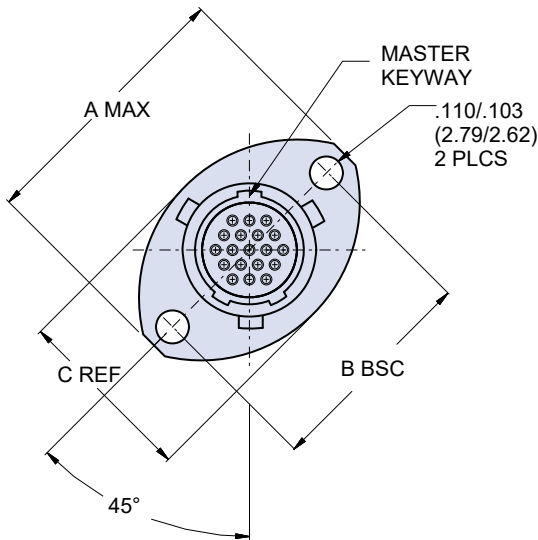
#### Material and Finish

- Shell, jam-nut: Aluminum alloy or CRES / see how to order table
- Insulator: LCP or epoxy / N.A.
- Interfacial seal, grommet seal: fluorosilicone / N.A.
- Contact: copper alloy / gold plate per ASTM B 488, Type II, Class 1.25, over suitable underplate

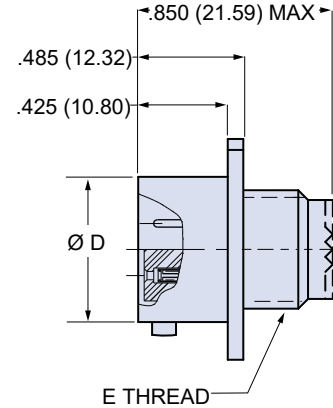
Dimensions in Inches (millimeters) are subject to change without notice.



### Flange mount front or rear panel mount receptacle - shell style 02



**Integral Band Platform**  
803-003-02



**Accessory Thread**  
803-004-02

#### Dimensions

Shell Size	A Max.	B Bsc.	C Ref.	Ø D	E Thread	Ø F
5	.703 (17.86)	.513 (13.03)	.460 (11.68)	.300 (7.62)	.2500-32 UNEF-2A	.230 (5.84)
6	.788 (20.02)	.598 (15.19)	.522 (13.26)	.362 (9.19)	.3125-32 UNEF-2A	.286 (7.26)
7	.890 (22.61)	.708 (17.98)	.590 (14.99)	.436 (11.07)	.4375-28 UNEF-2A	.390 (9.91)
8	1.154 (29.31)	.964 (24.49)	.668 (16.97)	.508 (12.90)	.5000-28 UNEF-2A	.440 (11.18)
9	1.207 (30.66)	1.017 (25.83)	.721 (18.31)	.561 (14.25)	.5625-24 UNEF-2A	.500 (12.70)
10	1.291 (32.79)	1.101 (27.97)	.795 (20.19)	.635 (16.13)	.6250-24 UNEF-2A	.562 (14.27)
12	1.394 (35.41)	1.204 (30.58)	.874 (22.20)	.714 (18.14)	.6875-24 UNEF-2A	.650 (16.51)
14	1.545 (39.24)	1.280 (32.51)	1.050 (26.67)	.865 (21.97)	.9375-20 UNEF-2A	.805 (20.45)

#### Flange Mount Panel Cutout Dimensions

Shell Size	A	Ø B
5	.513 (13.03)	.382 (9.70)
6	.598 (15.19)	.445 (11.30)
7	.708 (17.98)	.520 (13.21)
8	.964 (24.49)	.592 (15.04)
9	1.017 (25.83)	.645 (16.38)
10	1.101 (27.97)	.726 (18.44)
12	1.204 (30.58)	.832 (21.13)
14	1.280 (32.51)	.950 (24.13)

#### Material and Finish

- Shell: Aluminum alloy or CRES / see how to order table
- Insulator: LCP or epoxy / N.A.
- Interfacial seal, grommet seal: fluorosilicone / N.A.
- Contact: copper alloy / gold plate per ASTM B 488, Type II, Class 1.25, over suitable underplate

Dimensions in Inches (millimeters) are subject to change without notice.

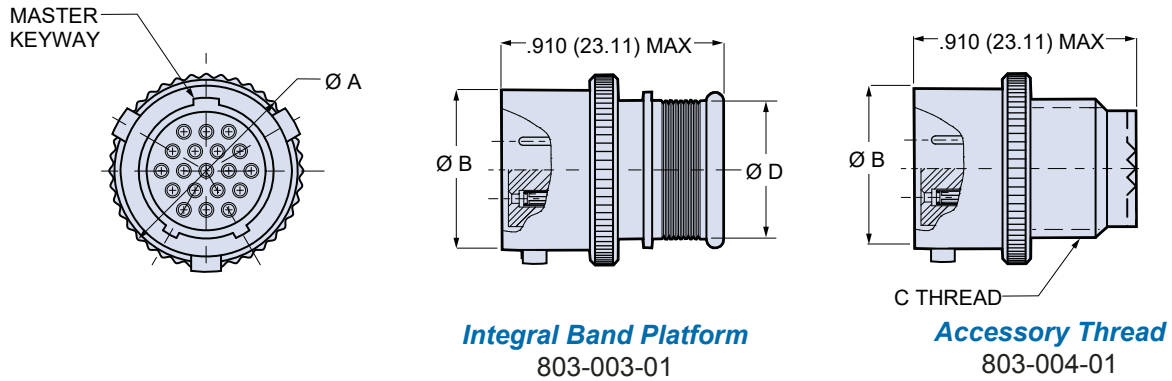
# Series 803 Mighty Mouse, ¼ Turn Bayonet Coupling Receptacle with Crimp Removable Contacts

803-004-01 and 803-003-01 Dimensions



Series 803

## In-line cable receptacle - shell style 01



Dimensions				
Shell Size	Ø A Max.	Ø B	C Thread	Ø D
5	.402 (10.21)	.300 (7.62)	.2500-32 UNEF-2A	.230 (5.84)
6	.465 (11.81)	.362 (9.19)	.3125-32 UNEF-2A	.286 (7.26)
7	.500 (12.70)	.436 (11.07)	.4375-28 UNEF-2A	.390 (9.91)
8	.570 (14.48)	.508 (12.90)	.5000-28 UNEF-2A	.440 (11.18)
9	.652 (16.56)	.561 (14.25)	.5625-24 UNEF-2A	.500 (12.70)
10	.715 (18.16)	.635 (16.13)	.6250-24 UNEF-2A	.562 (14.27)
12	.805 (20.45)	.714 (18.14)	.6875-24 UNEF-2A	.650 (16.51)
14	.915 (23.24)	.865 (21.97)	.9375-20 UNEF-2A	.805 (20.45)

### Material and Finish

- Shell: Aluminum alloy or CRES / see how to order table
- Insulator: LCP or epoxy / N.A.
- Interfacial seal, grommet seal: fluorosilicone / N.A.
- Contact: copper alloy / gold plate per ASTM B 488, Type II, Class 1.25, over suitable underplate

Dimensions in Inches (millimeters) are subject to change without notice.



# Mouser Electronics

Authorized Distributor

Click to View Pricing, Inventory, Delivery & Lifecycle Information:

## Glenair:

[803-003-07NF6-4SN](#) [803-003-07NF6-4SY](#) [803-003-07NF7-10SN](#) [803-003-07M6-7SN](#) [803-004-07M6-7PN](#) [803-003-07NF9-4PN](#) [803-003-07Z16-7SZ](#) [803-003-01NF12-37PN](#) [803-003-07NF5-3SN](#) [803-003-07NF12-37PN](#) [803-003-07NF9-19SN](#) [803-003-01NF6-7SN](#) [803-003-02M6-4SN](#) [803-003-07M12-2PN](#) [803-003-07NF10-26PN](#) [803-003-07NF10-26PX](#) [803-003-07NF10-26PY](#) [803-003-07NF12-37SN](#) [803-003-07NF8-13PN](#) [803-003-07NF9-19PN](#) [803-004-01NF7-10SN](#) [803-004-02M8-13PN](#) [803-004-02Z18-13SN](#) [803-003-01M12-37SN](#) [803-003-01M14-55SN](#) [803-003-01M15-85SN](#) [803-003-01M5-3SN](#) [803-003-01M6-7SN](#) [803-003-01M7-10SN](#) [803-003-01M9-19SN](#) [803-003-01ZNU12-37PN](#) [803-003-01ZNU14-55PN](#) [803-003-01ZNU15-85PN](#) [803-003-01ZNU5-3PN](#) [803-003-01ZNU6-7PN](#) [803-003-01ZNU7-10PN](#) [803-003-01ZNU9-19PN](#) [803-003-02M12-37SN](#) [803-003-02M14-55SN](#) [803-003-02M15-85SN](#) [803-003-02M6-7PN](#) [803-003-02M6-7SN](#) [803-003-02M7-10SN](#) [803-003-07M12-37SN](#) [803-003-07M14-55SN](#) [803-003-07M15-85SN](#) [803-003-07M5-3SN](#) [803-003-07M7-10SN](#) [803-003-07M9-19SN](#) [803-003-07ZNU14-55PN](#) [803-003-07ZNU15-85PN](#) [803-003-07ZNU5-3PN](#) [803-003-07ZNU6-7PN](#) [803-003-07ZNU7-10PN](#) [803-003-07ZNU9-19PN](#) [803-003-07NF7-10PN](#) [803-003-01M10-26SN](#) [803-003-01M8-13SN](#) [803-003-01ZNU10-26PN](#) [803-003-01ZNU8-13PN](#) [803-003-02M10-26SN](#) [803-003-02M5-3SN](#) [803-003-02M8-13SN](#) [803-003-02M9-19SN](#) [803-003-02NF12-37SN](#) [803-003-02ZN7-10SN](#) [803-003-07M8-13SN](#) [803-003-07ZNU12-37PN](#) [803-003-07ZNU8-13PN](#) [803-004-07NF7-10PN](#) [803-003-07ZNU8-13SN](#) [803-003-01M6-4PN](#) [803-003-02M6-4PN](#) [803-003-07M10-26SN](#) [803-003-07M6-4SN](#) [803-003-07M6-7SY](#) [803-003-07M7-10PN](#) [803-003-07M7-10SX](#) [803-003-07M7-10SY](#) [803-003-07M8-13PN](#) [803-003-07NF6-7PN](#) [803-003-07ZNU6-7PY](#) [803-003-07ZNU6-7SN](#) [803-003-07ZNU6-7SX](#) [803-003-07ZNU7-10SN](#) [803-004-01M6-4SN](#) [803-004-01M6-7SN](#) [803-004-07M6-7SN](#) [803-004-07NF5-3SN](#) [803-004-07NF6-7SN](#) [803-004-07NF9-4SN](#) [803-004-07Z15-3SN](#) [803-004-07ZN9-19SN](#) [803-003-07NF12-203BN](#) [803-003-02M6-6SN](#) [803-003-02ZNU10-201SN](#) [803-003-07M6-4PN-598A](#) [803-003-07NF8-28PN](#) [803-003-07NF8-28SN](#) [803-003-02NF6-7PN](#)