

5

4

3

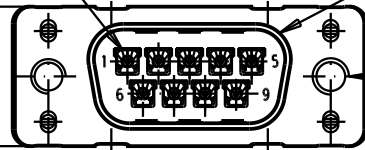
2

1

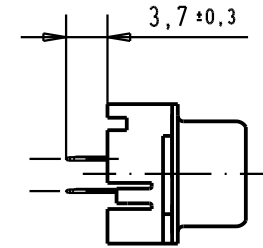
Mating face according to : MIL-C-24308 / DIN 41652 / CECC 75301-802

No. 1 contact

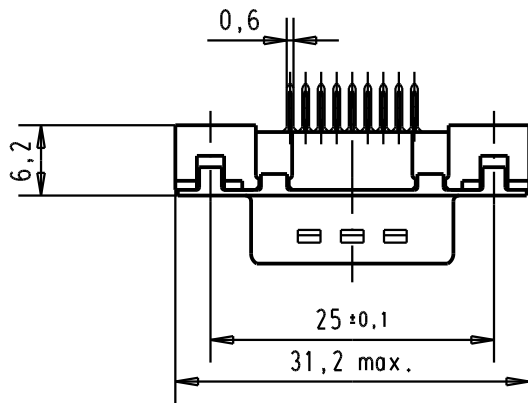
12,5 max.



nut thread



Printed board layout
component side



$4 \times 2,74 = 10,96$

$3 \times 2,74 = 8,22$

2,74

No.1 contact

$\phi 3,1 \pm 0,1$

$\phi 0,1$

2,84

1,42

No.6 contact

2,74

$\phi 1 \pm 0,1$

$\phi 0,05$

25

No.9 contact

09 65 121 3701

M3

1

09 65 121 6701

M3

2

09 65 121 7701

M3

3

09 65 121 3702

4-40 UNC

1

09 65 121 6702

4-40 UNC

2

09 65 121 7702

4-40 UNC

3

Part number

Nut thread

Performance level

Mod.

Dat.

Name

Dat.

Name

Detail. 05/03/02

CV

Insp.

Stand.



All Dim. in mm
Orig. Size DIN A 4

D-Sub, 9 poles,
male, straight,
with solder pins 3.7,
and nuts.

Maßstab/
Scale

1,5:1

HARTING EURL
F-95972 Paris



TB 09 65 121 X70X

Blatt/ Page

2

Sub.

Mouser Electronics

Authorized Distributor

Click to View Pricing, Inventory, Delivery & Lifecycle Information:

[HARTING:](#)

[09651216702](#) [09651217701](#) [09651215703](#) [09651216701](#) [09651217702](#)