

MICRO SWITCH

FREEPORT ILLINOIS, U.S.A
A DIVISION OF HONEYWELL
FED. MFG. CODE 91929

SWITCH - BASIC

CATALOG LISTING
BZ-R7216

AGH9958

CATALOG LISTING
BZ-R7216
PAGE 1 OF 1

M

ISSUE
10

REPLACES

RELEASE NO. **PR-2435**

30SEP05

VA

CHECK

72

11 FEB 72

GCH

CHECK

72

LSD

CHECK

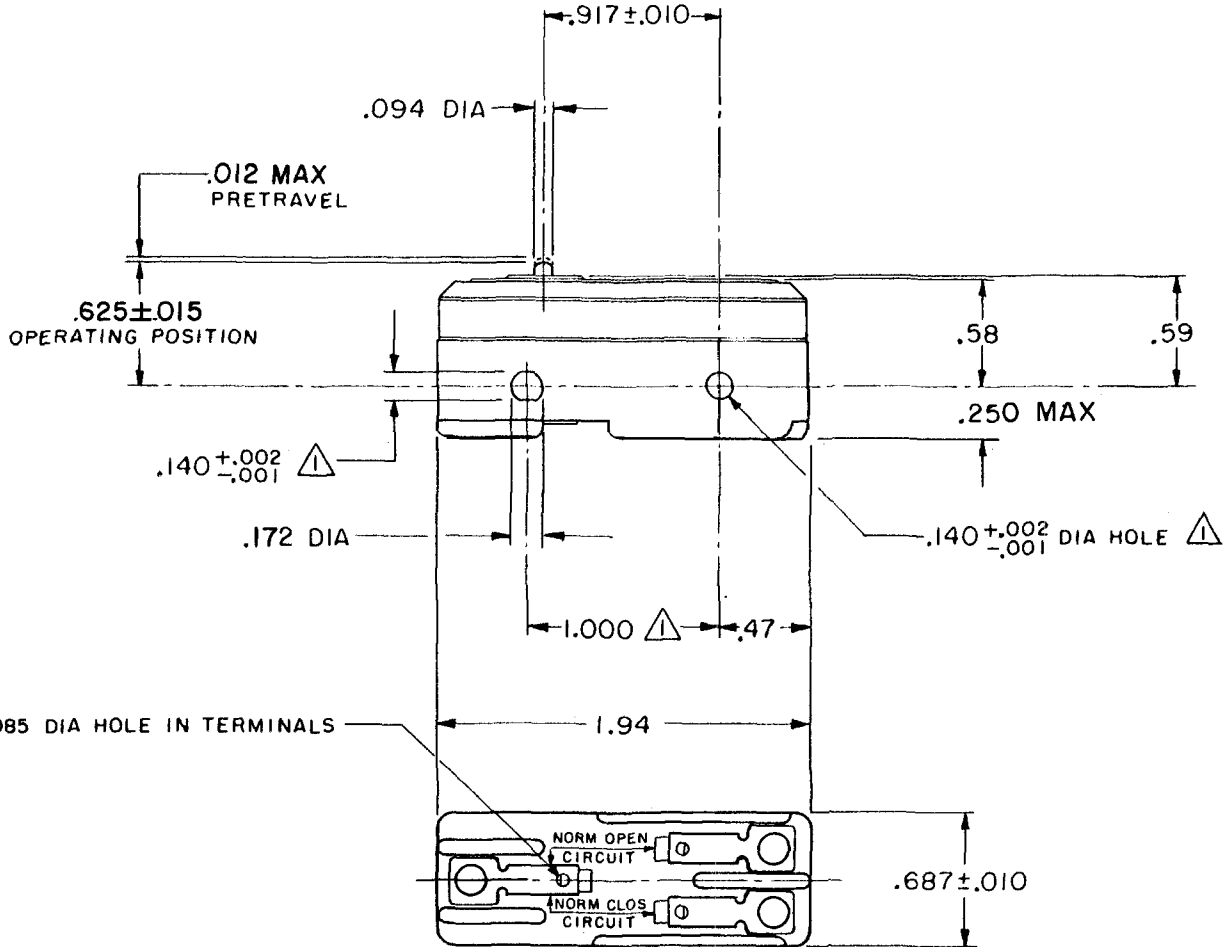
72

RASTER

FO-50378-1A

DRAWN

D B W 10 FEB 72



NOTE
 1 - MOUNTING HOLES WILL ACCEPT PINS OR SCREWS OF .139 MAX DIA ON 1.000 ± .002 CENTERS
 2 - CONTACT MATERIAL - GOLD ALLOY

THIS DRAWING COVERS A PROPRIETARY ITEM AND IS THE PROPERTY OF MICRO SWITCH, A DIVISION OF HONEYWELL. THIS DRAWING IS NOT TO BE COPIED OR USED WITHOUT THE APPROVAL OF MICRO SWITCH.

CHARACTERISTICS

OPERATING FORCE ----- 7-9 OZ
 RELEASE FORCE ----- 4 OZ MIN
 DIFFERENTIAL TRAVEL --- .00015-.00035
 OVERTRAVEL ----- .005 MIN

ELECTRICAL DATA

CONTACT ARRANGEMENT
S P D T

L22 1A 125 VAC

L288
L315
L307



1A 250 V ~ T85 25E3

SCALE FULL

DO NOT SCALE PRINT

UNLESS OTHERWISE NOTED

DIMENSIONS ARE IN INCHES

TOLERANCES ARE:

ONE PLACE	(.0)	±.030
TWO PLACE	(.00)	±.015
THREE PLACE	(.000)	±.005
ANGLES		±

WEIGHT .050 LB