

SPECIFICATIONS

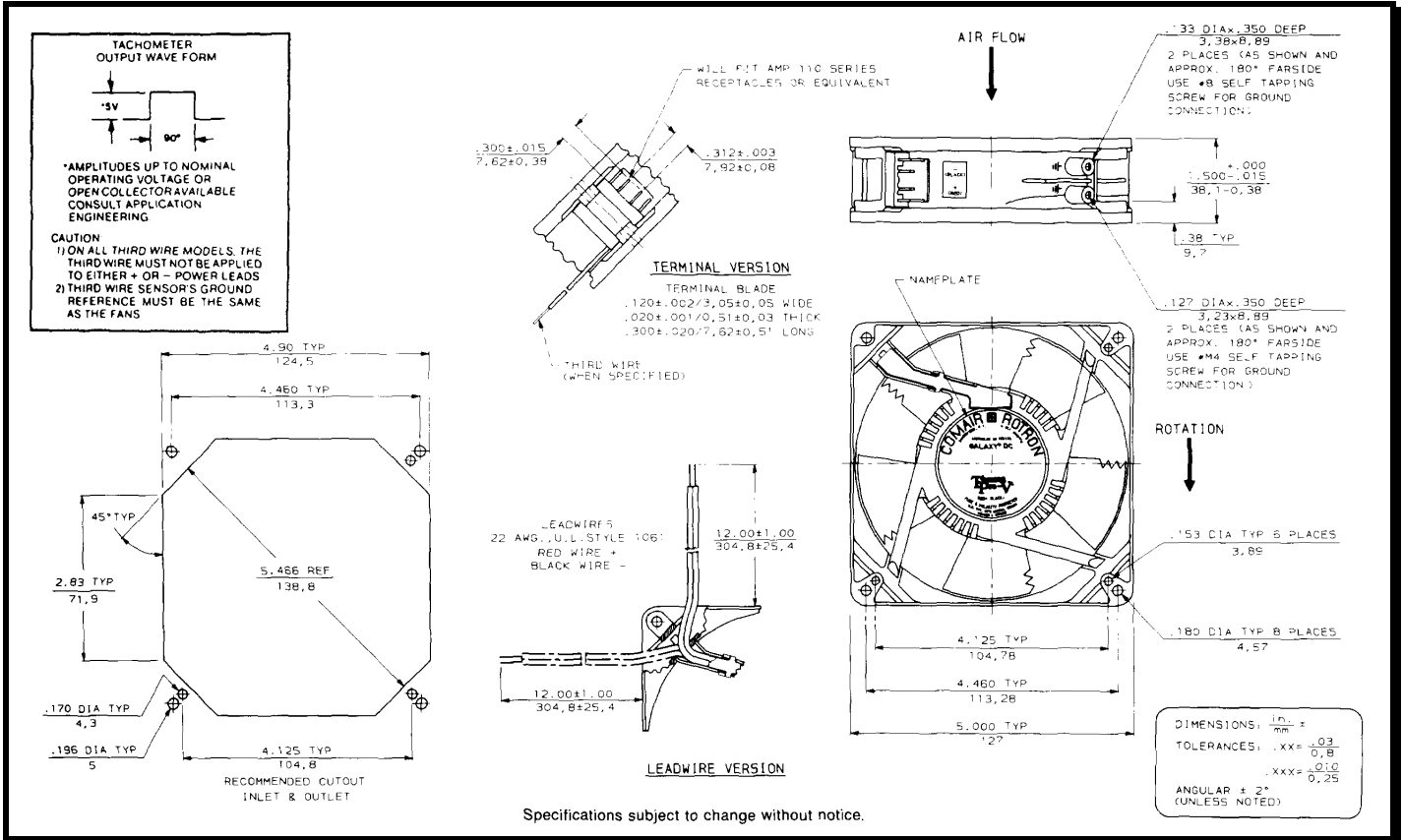
(RoHS Compliant)



Model Number: GL24B4
Part Number: 19031075A

Apr. 01, 2016

Mechanical Drawing:



Motor:

Nominal Voltage	= 24 vdc
Operating Voltage Range	= 12 - 28 vdc
Nominal Running Current	= 0.625 amps
Locked Rotor Current	= 1.350 amps
Running Power	= 15.0 watts
Average Speed	= 3250 rpm
Bearings	= Ball
Air Flow	= 150 CFM
Acoustic	= 53.6 dBA

Construction:

Venturi: Die Cast Zinc, Black
 Propeller: Plastic, Black, UL 94V-0

Life Expectancy:

This fan is designed for continuous duty life of 82,500 hours at 50°C.

Additional Features:

Brushless DC Motor
 Automatic Restart Capability
 Polarity Protected
 Locked Rotor Protection
 Operating Temperature: -10°C to 70°C
 Storage Temperature: -40°C to 85°C

Termination:

0.110" wide Terminals Polarity Labeled

Agency Approvals:

UL, CE