



# Enpirion<sup>®</sup> Power Datasheet

## EN2360QI 6A PowerSoC

### Voltage Mode Synchronous Buck

### With Integrated Inductor

**Not Recommended for New Designs**

## Description

The EN2360QI is a Power System on a Chip (PowerSoC) DC-DC converter. It integrates MOSFET switches, small-signal control circuits, compensation and an integrated inductor in an advanced 8x11x3mm QFN module. It offers high efficiency, excellent line and load regulation over temperature. The EN2360QI operates over a wide input voltage range and is specifically designed to meet the precise voltage and fast transient requirements of high-performance products. The EN2360QI features frequency synchronization to an external clock, power OK output voltage monitor, programmable soft-start along with thermal and short circuit protection. The device's advanced circuit design, ultra high switching frequency and proprietary integrated inductor technology delivers high-quality, ultra compact, non-isolated DC-DC conversion.

The Altera Enpirion solution significantly helps in system design and productivity by offering greatly simplified board design, layout and manufacturing requirements. In addition, overall system level reliability is improved given the small number of components required with the Altera Enpirion solution.

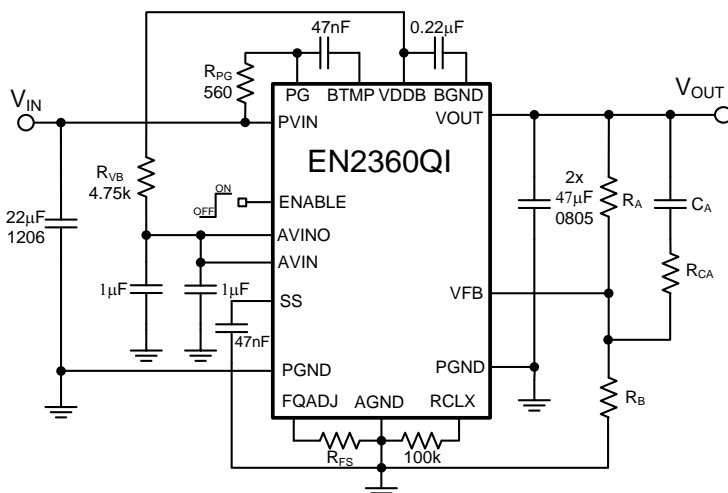
All Altera Enpirion products are RoHS compliant, halogen free and are compatible with lead-free manufacturing environments.

## Features

- Integrated Inductor, MOSFETs, Controller
- Wide Input Voltage Range: 4.5V – 14V
- Total Solution Size Estimate: 185mm<sup>2</sup>
- Frequency Synchronization (External Clock)
- 1% Initial V<sub>OUT</sub> Accuracy
- Output Enable Pin and Power OK signal
- Programmable Soft-Start Time
- Can be Pin Compatible with the EN2340QI (4A)
- Under Voltage Lockout Protection (UVLO)
- Short Circuit Protection
- Thermal Shutdown Protection
- RoHS Compliant, MSL Level 3, 260°C Reflow

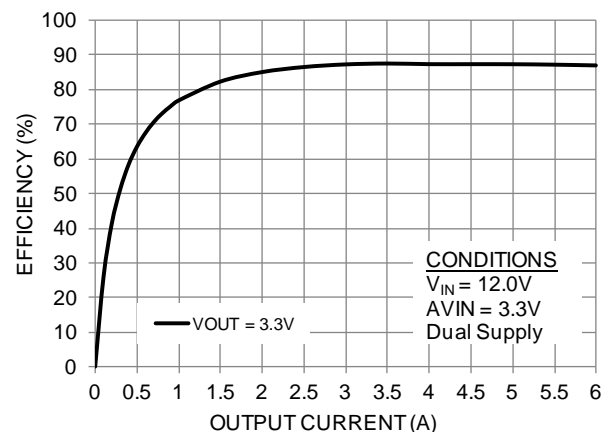
## Applications

- Space Constrained Applications
- Distributed Power Architectures
- Output Voltage Ripple Sensitive Applications
- Beat Frequency Sensitive Applications
- Servers, Embedded Computing Systems, LAN/SAN Adapter Cards, RAID Storage Systems, Industrial Automation, Test and Measurement, and Telecommunications



**Figure 1.** Simplified Applications Circuit (Footprint Optimized)

## Efficiency vs. Output Current



**Figure 2.** Highest Efficiency in Smallest Solution Size

## Ordering Information

Part Number	Package Markings	T <sub>AMBIENT</sub> Rating (°C)	Package Description
EN2360QI	EN2360QI	-40 to +85	68-pin (8mm x 11mm x 3mm) QFN T&R
EVB-EN2360QI	EN2360QI		QFN Evaluation Board

Packing and Marking Information: [www.altera.com/support/reliability/packing/rel-packing-and-marking.html](http://www.altera.com/support/reliability/packing/rel-packing-and-marking.html)

## Pin Assignments (Top View)

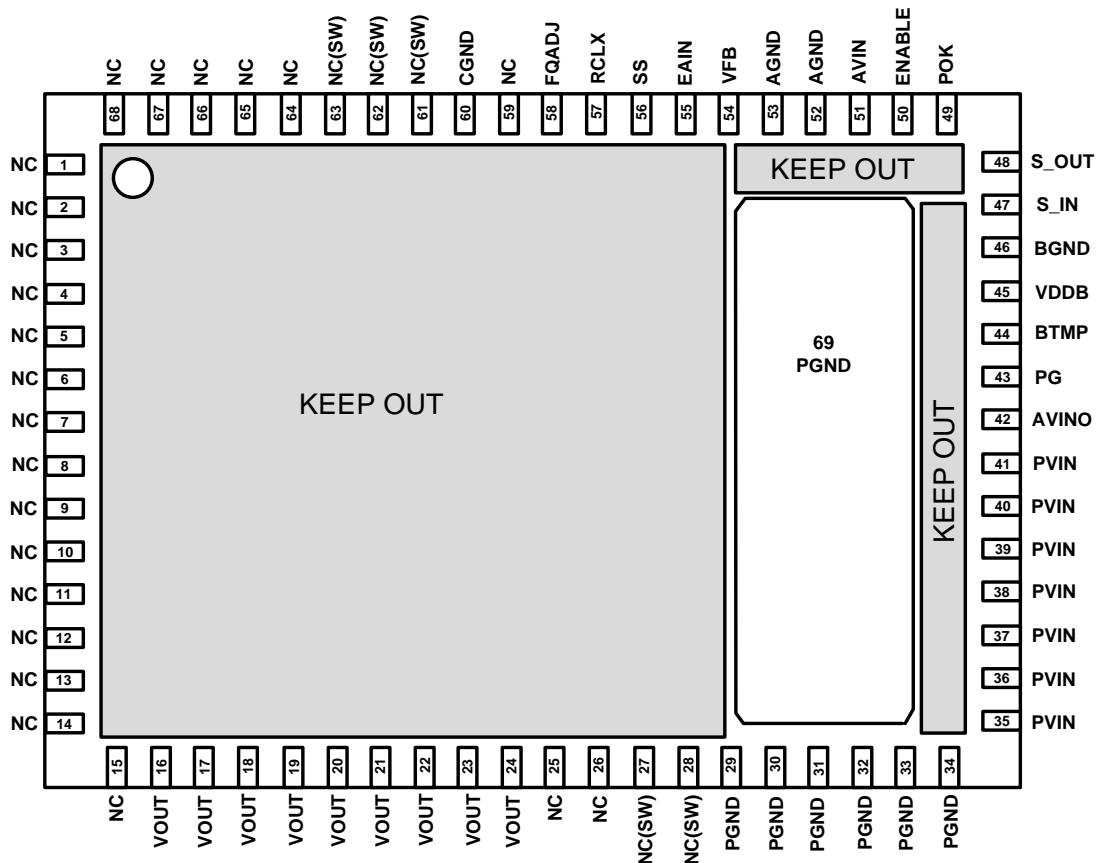


Figure 3: Pin Out Diagram (Top View)

**NOTE A:** NC pins are not to be electrically connected to each other or to any external signal, ground, or voltage. All pins including NC pins must be soldered to the PCB. Failure to follow this guideline may result in part malfunction or damage.

**NOTE B:** Shaded area highlights exposed metal below the package that is not to be mechanically or electrically connected to the PCB. Refer to Figure 14 for details.

**NOTE C:** White 'dot' on top left is pin 1 indicator on top of the device package.

## Pin Description

I/O Legend: P=Power G=Ground NC=No Connect I=Input O=Output I/O=Input/Output

PIN	NAME	I/O	FUNCTION
1-15, 25-26, 59, 64- 68	NC	NC	NO CONNECT – These pins may be internally connected. Do not connect them to each other or to any other electrical signal. Failure to follow this guideline may result in device damage.
16-24	VOUT	O	Regulated converter output. Connect these pins to the load and place output capacitor

PIN	NAME	I/O	FUNCTION
			between these pins and PGND pins 29-31.
27-28, 61-63	NC(SW)	NC	NO CONNECT – These pins are internally connected to the common switching node of the internal MOSFETs. They are not to be electrically connected to any external signal, ground, or voltage. Failure to follow this guideline may result in damage to the device.
29-34	PGND	G	Input/Output power ground. Connect these pins to the ground electrode of the input and output filter capacitors. See VOUT and PVIN pin descriptions for more details.
35-41	PVIN	P	Input power supply. Connect to input power supply. Decouple with input capacitor to PGND pins 32-34.
42	AVINO	O	Internal 3.4V linear regulator output. Connect this pin to AVIN (Pin 51) for applications where operation from a single input voltage (PVIN) is required. If AVINO is being used, place a 1 $\mu$ F, X5R, capacitor between AVINO and AGND as close as possible to AVINO.
43	PG	I/O	PMOS gate. Place a 47nF, X5R/X7R, capacitor between this pin and BTMP. A 560 $\Omega$ resistor must be connected from PVIN to PG to support monotonic shut down.
44	BTMP	I/O	Bottom plate ground. See pin 43 description.
45	VDDDB	O	Internal regulated voltage used for the internal control circuitry. Place a 0.22 $\mu$ F, X5R/X7R, capacitor between this pin and BGND.
46	BGND	G	Ground for VDDDB. See pin 45 description. Do not connect BGND to any other ground.
47	S_IN	I	Digital synchronization input. This pin accepts either an input clock to phase lock the internal switching frequency or a S_OUT signal from another EN2360QI. Leave this pin floating if not used.
48	S_OUT	O	Digital synchronization output. Can be used to synchronize the internal clock with another device switching at a similar frequency. Leave this pin floating if not used.
49	POK	O	Power OK is an open drain transistor (pulled up to AVIN or similar voltage) used for power system state indication. POK is logic high when VOUT is above 90% of VOUT nominal. Leave this pin floating if not used.
50	ENABLE	I	Output enable. Applying a logic high to this pin enables the output and initiates a soft-start. Applying a logic low disables the output. ENABLE logic cannot be higher than AVIN (refer to Absolute Maximum Ratings). Do not leave floating. See Power Up/Down Sequencing section for details.
51	AVIN	P	Input power supply for the controller. Place a 1 $\mu$ F, X5R/X7R, capacitor between AVIN and AGND.
52, 53	AGND	G	Analog ground. This is the ground return for the controller. All AGND pins need to be connected to a quiet ground.
54	VFB	I/O	External feedback input. The feedback loop is closed through this pin. A voltage divider at VOUT is used to set the output voltage. The mid-point of the divider is connected to VFB. A phase lead network from this pin to VOUT is also required to stabilize the loop.
55	EAIN	I	Optional error amplifier input. Allows for customization of the control loop for performance optimization. Leave this pin floating if not used.
56	SS	I/O	Soft-start node. The soft-start capacitor is connected between this pin and AGND. The value of this capacitor determines the startup time. See Soft-Start Operation in the Functional Description section for details.
57	RCLX	I/O	Short circuit protection. Connect a 100k resistor from RCLX to ground.
58	FQADJ	I/O	Adding a resistor ( $R_{FS}$ ) to this pin will adjust the switching frequency of the EN2360QI. See Table 1 for suggested resistor values on $R_{FS}$ for various PVIN/VOUT combinations to maximize efficiency. Do not leave this pin floating.
60	CGND		Test pin. For Altera Internal Use Only. Connect to GND plane at all times.
69	PGND		Not a perimeter pin. Device thermal pad to be connected to the system GND plane for heat-sinking purposes.

## Absolute Maximum Ratings

**CAUTION:** Absolute Maximum ratings are stress ratings only. Functional operation beyond the recommended operating conditions is not implied. Stress beyond the absolute maximum ratings may impair device life. Exposure to absolute maximum rated conditions for extended periods may affect device reliability.

PARAMETER	SYMBOL	MIN	MAX	UNITS
Voltages on – PVIN, VOUT, PG	$V_{IN}$	-0.5	15	V
Voltages on: ENABLE, POK		-0.3	$AV_{IN}+0.3$	V
Pin Voltages – AVINO, AVIN, S_IN, S_OUT		2.5	6.0	V
Pin Voltages – VFB, SS, EAIN, RCLX, FQADJ, VDDB, BTMP		-0.5	2.75	V
Dual Supply PVIN Rising and Falling Slew Rate (Note 1)		0.3	25	V/ms
Single Supply PVIN Rising and Falling Slew Rate (Note 1)		0.3	6	V/ms
Maximum Continuous Output Current	$I_{OUT\_CONT\_MAX}$		9	A
Storage Temperature Range	$T_{STG}$	-65	150	°C
Maximum Operating Junction Temperature	$T_{J-ABS\ Max}$		150	°C
Reflow Temp, 10 Sec, MSL3 JEDEC J-STD-020A			260	°C
ESD Rating - all pins (based on Human Body Model)			2000	V
ESD Rating (based on CDM)			500	V

## Recommended Operating Conditions

PARAMETER	SYMBOL	MIN	MAX	UNITS
PVIN: Input Voltage Range	PVIN	4.5	14.0	V
AVIN: Controller Supply Voltage	AVIN	2.5	5.5	V
Output Voltage Range (Note 2)	$V_{OUT}$	0.75	5.0	V
Output Current	$I_{OUT}$	0	6.0	A
Operating Ambient Temperature	$T_A$	- 40	+85	°C
Operating Junction Temperature	$T_J$	- 40	+125	°C

## Thermal Characteristics

PARAMETER	SYMBOL	TYP	UNITS
Thermal Resistance: Junction to Ambient (0 LFM) (Note 3)	$\theta_{JA}$	16	°C/W
Thermal Resistance: Junction to Case (0 LFM)	$\theta_{JC}$	2	°C/W
Thermal Shutdown	$T_{SD}$	160	°C
Thermal Shutdown Hysteresis	$T_{SDH}$	35	°C

**Note 1:** PVIN rising and falling slew rates cannot be outside of specification. For accurate power up sequencing, use a fast ENABLE logic (>1V/100µs) after both AVIN and PVIN are high.

**Note 2:** Dropout: Maximum  $V_{OUT} \leq V_{IN} - 2.5V$

**Note 3:** Based on 2oz. external copper layers and proper thermal design in line with EIJ/JEDEC JESD51-7 standard for high thermal conductivity boards.

## Electrical Characteristics

NOTE:  $V_{IN}=12V$ , Minimum and Maximum values are over operating ambient temperature range ( $-40^{\circ}C \leq T_A \leq +85^{\circ}C$ ) unless otherwise noted. Typical values are at  $T_A = 25^{\circ}C$ .

PARAMETER	SYMBOL	TEST CONDITIONS	MIN	TYP	MAX	UNITS
Operating Input Voltage	PVIN		4.5		14.0	V
Controller Input Voltage	AVIN		2.5		5.5	V
AVIN Under Voltage Lock-out rising	AVIN <sub>UVLOR</sub>	Voltage above which UVLO is not asserted	1.7	2.2	2.4	V
AVIN Under Voltage Lock-out falling	AVIN <sub>OVLOF</sub>	Voltage below which UVLO is asserted	1.7	2.1	2.3	V
AVIN Pin Input Current	I <sub>AVIN</sub>			7		mA
Internal Linear Regulator Output Voltage	AVINO			3.4		V
Shut-Down Supply Current	IPVINS	PVIN=12V, AVIN=3.4V, ENABLE=0V		500		$\mu$ A
	I <sub>AVINS</sub>	PVIN=12V, AVIN=3.4V, ENABLE=0V		100		$\mu$ A
Feedback Pin Voltage	V <sub>FB</sub>	Feedback node voltage at: $V_{IN} = 12V, I_{LOAD} = 0, T_A = 25^{\circ}C$ Only	0.594	0.60	0.606	V
Feedback Pin Voltage	V <sub>FB</sub>	Feedback node voltage at: $4.5V \leq V_{IN} \leq 14V; 0A \leq I_{LOAD} \leq 6A$	0.588	0.60	0.612	V
Feedback pin Input Leakage Current	I <sub>FB</sub>	VFB pin input leakage current (Note 4)	-5		5	nA
V <sub>OUT</sub> Rise Time	t <sub>RISE</sub>	C <sub>SS</sub> = 47nF (Note 4, Note 5 and Note 6)		2.8		ms
Soft Start Capacitor Range	C <sub>SS_RANGE</sub>		10	47	68	nF
Continuous Output Current	I <sub>OUT_CONT</sub>	Subject to thermal derating	0		6	A
ENABLE Logic High	V <sub>ENABLE_HIGH</sub>	$4.5V \leq V_{IN} \leq 14V;$	1.25		AV <sub>IN</sub>	V
ENABLE Logic Low	V <sub>ENABLE_LOW</sub>	$4.5V \leq V_{IN} \leq 14V;$	0		0.95	V
ENABLE Lockout Time	T <sub>ENLOCKOUT</sub>			8		ms
ENABLE pin Input Current	I <sub>ENABLE</sub>	370k $\Omega$ pull down (Note 4)		4		$\mu$ A
Switching Frequency	F <sub>SW</sub>	R <sub>FS</sub> = 3.01k $\Omega$		1.0		MHz
External SYNC Clock Frequency Lock Range	F <sub>PLL_LOCK</sub>	Range of SYNC clock frequency (See Table 1)	0.8		1.8	MHz
S_IN Threshold – Low	V <sub>S_IN_LO</sub>	S_IN Clock Logic Low Level (Note 4)			0.8	V
S_IN Threshold – High	V <sub>S_IN_HI</sub>	S_IN Clock Logic High Level (Note 4)	1.8		2.5	V
S_OUT Threshold – Low	V <sub>S_OUT_LO</sub>	S_OUT Clock Logic Low Level (Note 4)			0.8	V
S_OUT Threshold – High	V <sub>S_OUT_HI</sub>	S_OUT Clock Logic High Level (Note 4)	1.8		2.5	V
POK Lower Threshold	POK <sub>LT</sub>	Percentage of Nominal Output Voltage for POK to be Low		90		%
POK Output low Voltage	V <sub>POKL</sub>	With 4mA current sink into POK			0.4	V
POK Output Hi Voltage	V <sub>POKH</sub>	PVIN range: $4.5V \leq V_{IN} \leq 14V$			AVIN	V

PARAMETER	SYMBOL	TEST CONDITIONS	MIN	TYP	MAX	UNITS
POK Pin $V_{OH}$ leakage Current	$I_{POKL}$	POK High (Note 4)			1	$\mu A$

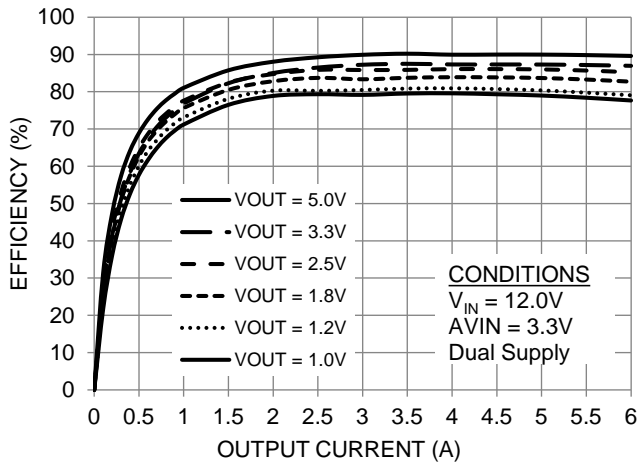
**Note 4:** Parameter not production tested but is guaranteed by design.

**Note 5:** Rise time calculation begins when  $A_{VIN} > V_{UVLO}$  and  $ENABLE = HIGH$ .

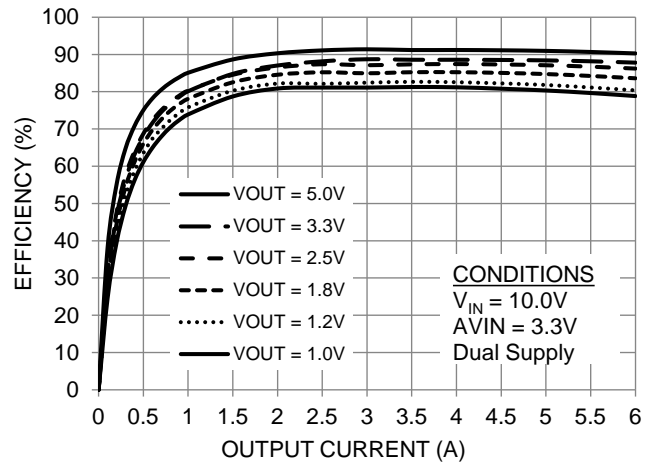
**Note 6:**  $V_{OUT}$  Rise Time Accuracy does not include soft-start capacitor tolerance.

Typical Performance Curves

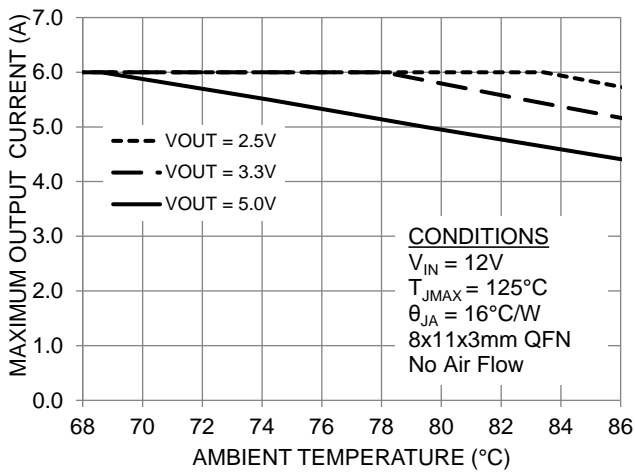
Efficiency vs. Output Current



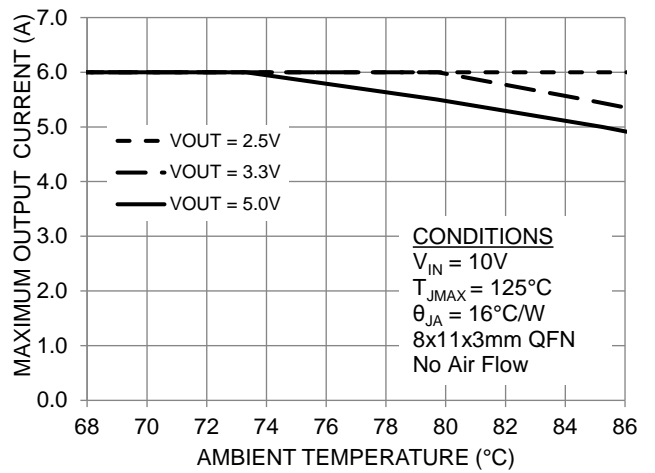
Efficiency vs. Output Current



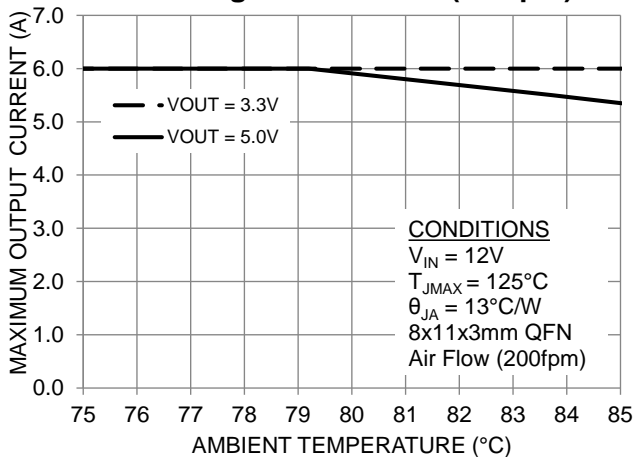
Output Current De-rating



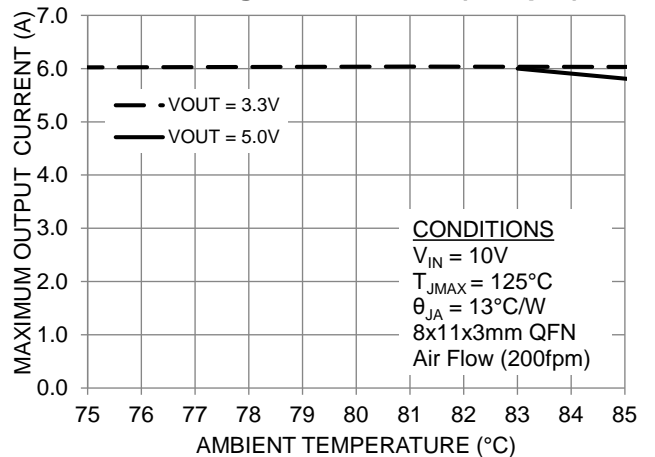
Output Current De-rating



De-rating with Air Flow (200fpm)

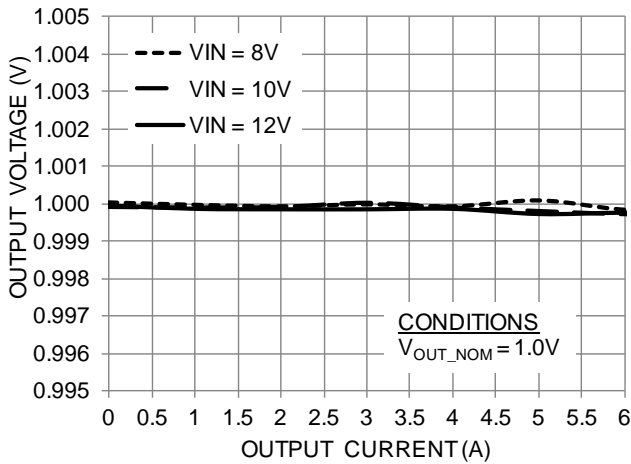


De-rating with Air Flow (200fpm)

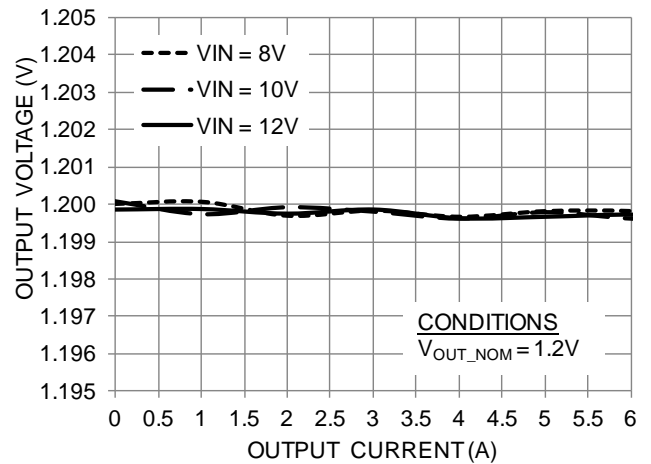


# Typical Performance Curves

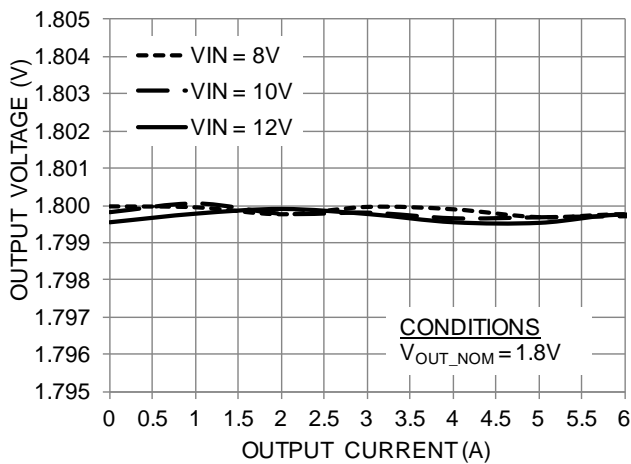
**Output Voltage vs. Output Current**



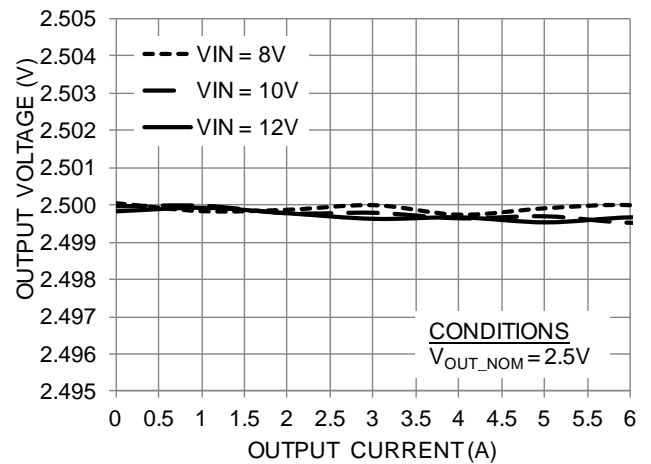
**Output Voltage vs. Output Current**



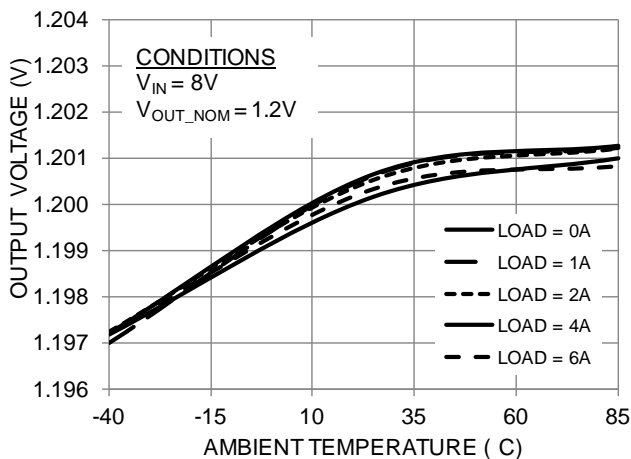
**Output Voltage vs. Output Current**



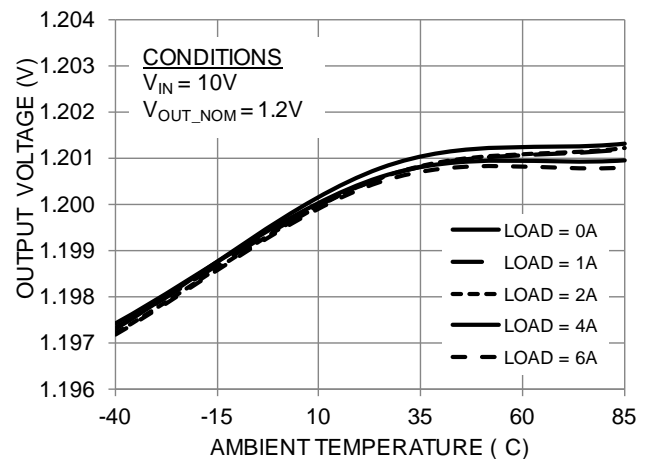
**Output Voltage vs. Output Current**



**Output Voltage vs. Temperature**

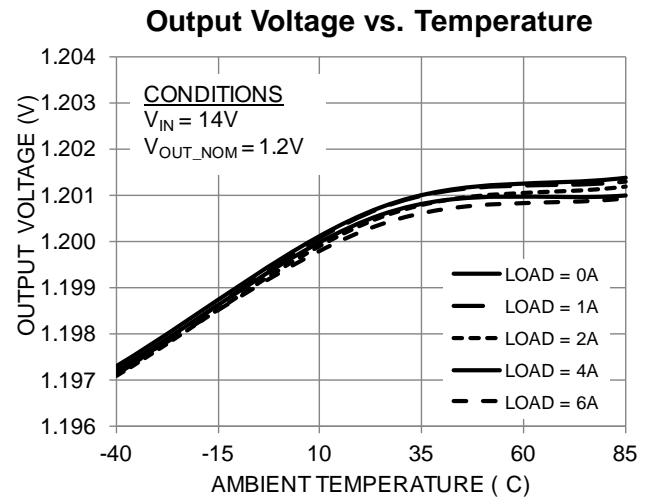
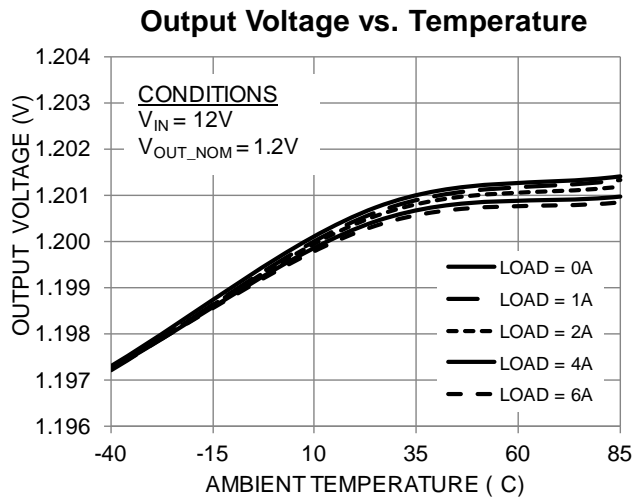


**Output Voltage vs. Temperature**



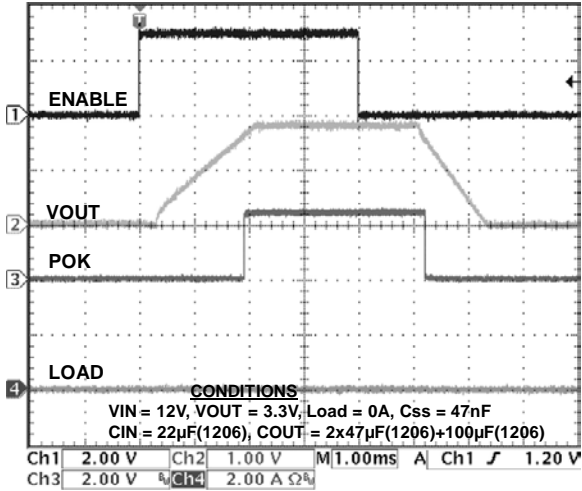


# Typical Performance Curves

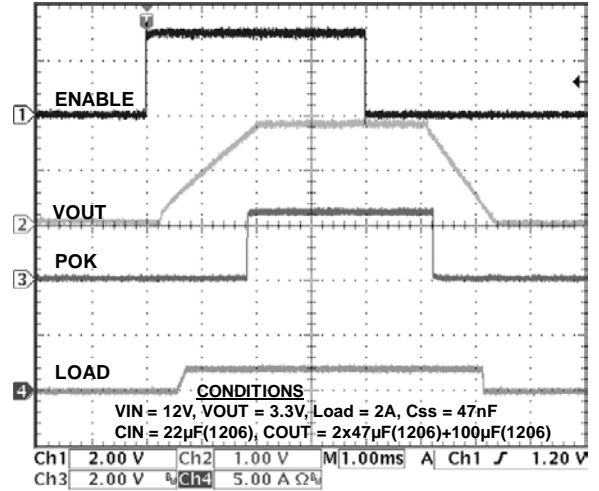


Typical Performance Characteristics

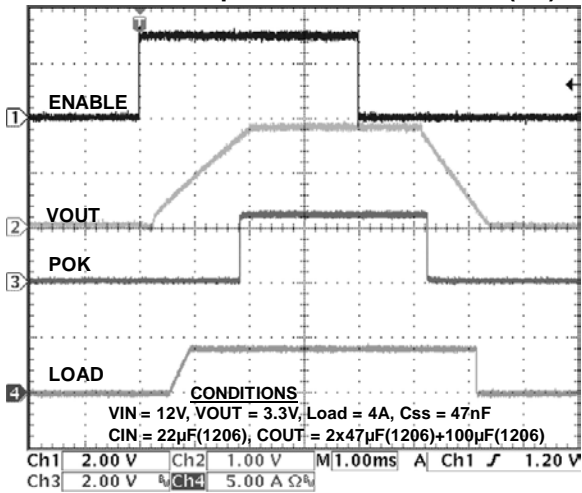
Enable Startup/Shutdown Waveform (0A)



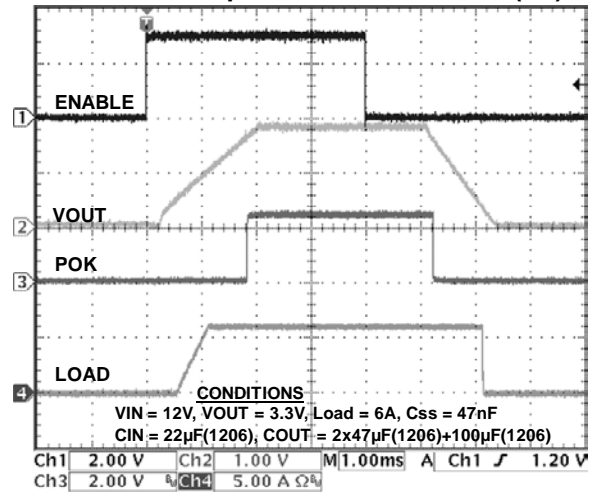
Enable Startup/Shutdown Waveform (2A)



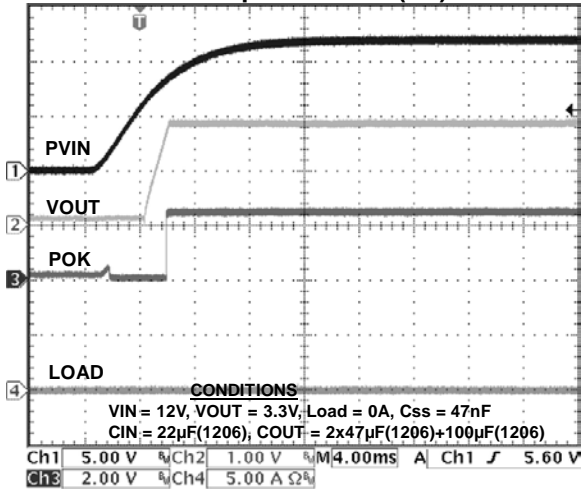
Enable Startup/Shutdown Waveform (4A)



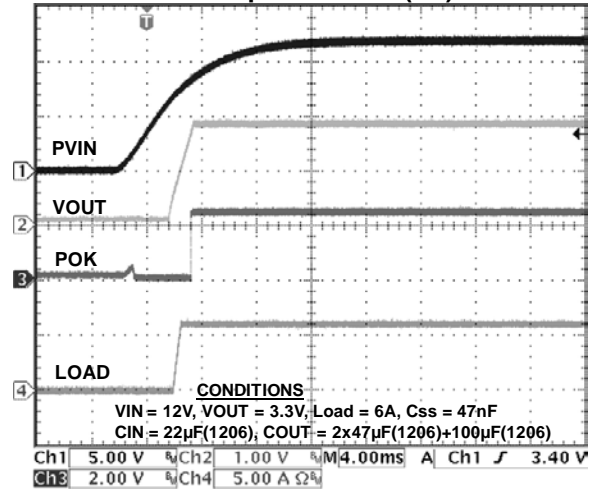
Enable Startup/Shutdown Waveform (6A)



Power Up Waveform (0A)

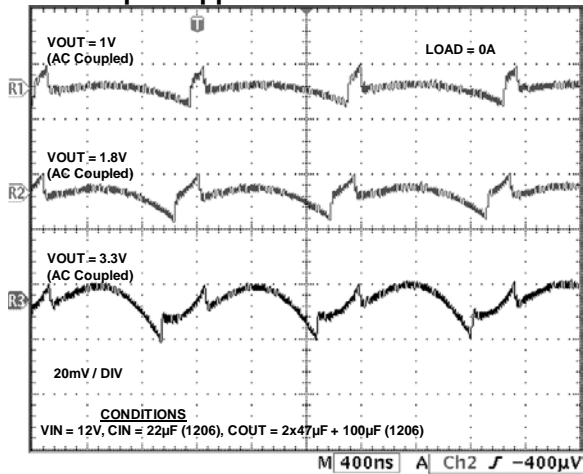


Power Up Waveform (6A)



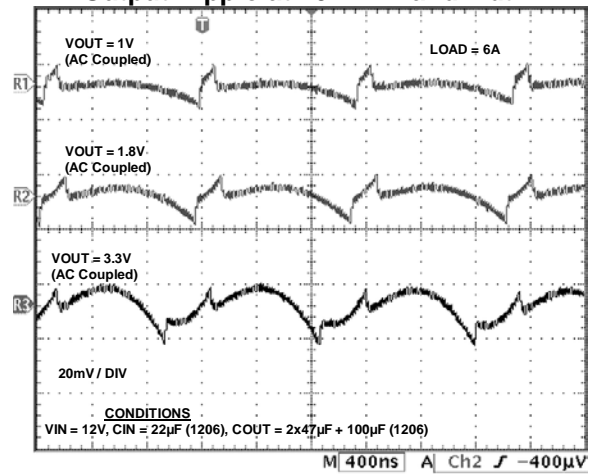
# Typical Performance Characteristics

Output Ripple at 20MHz Bandwidth



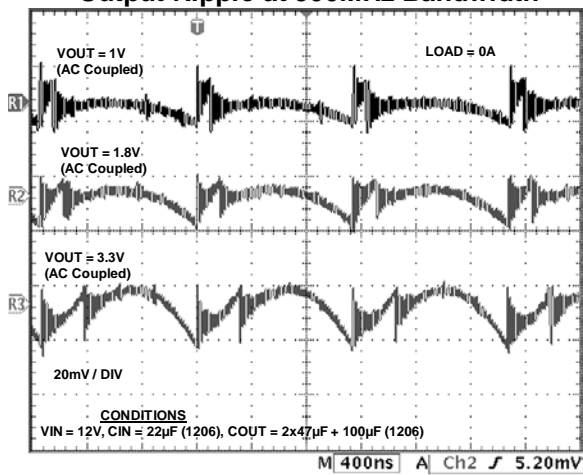
20.0mV 400ns 30.20 %

Output Ripple at 20MHz Bandwidth



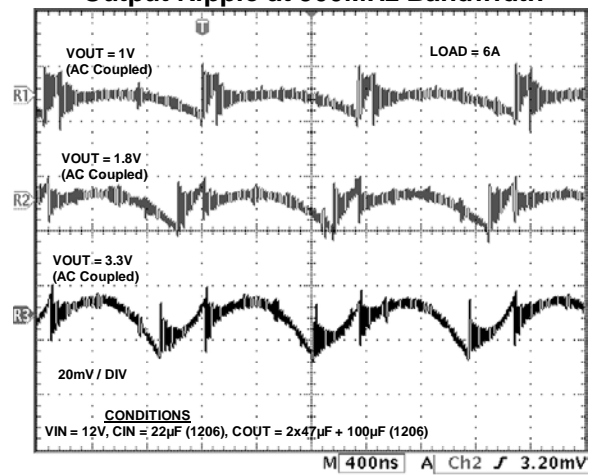
20.0mV 400ns 30.20 %

Output Ripple at 500MHz Bandwidth



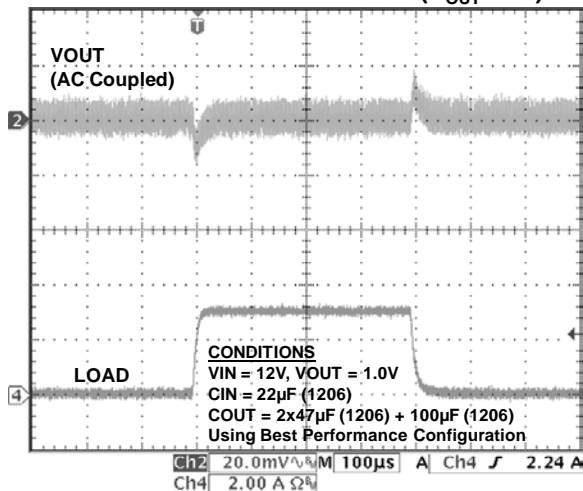
20.0mV 400ns 30.20 %

Output Ripple at 500MHz Bandwidth

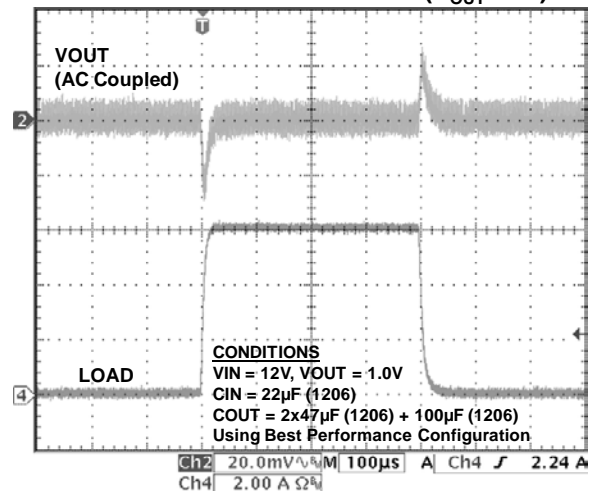


20.0mV 400ns 30.20 %

Load Transient from 0 to 3A (V<sub>OUT</sub> = 1V)

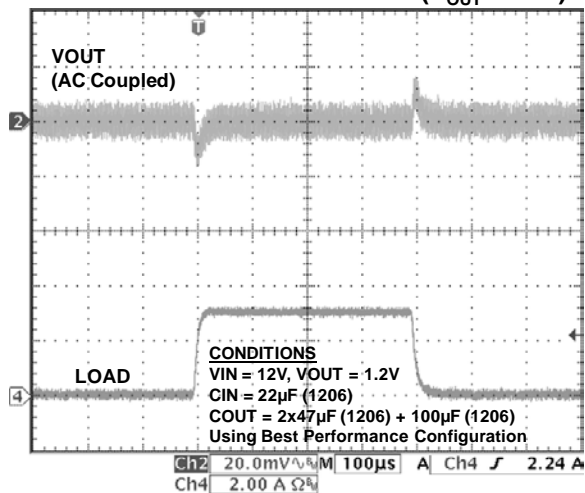


Load Transient from 0 to 6A (V<sub>OUT</sub> = 1V)

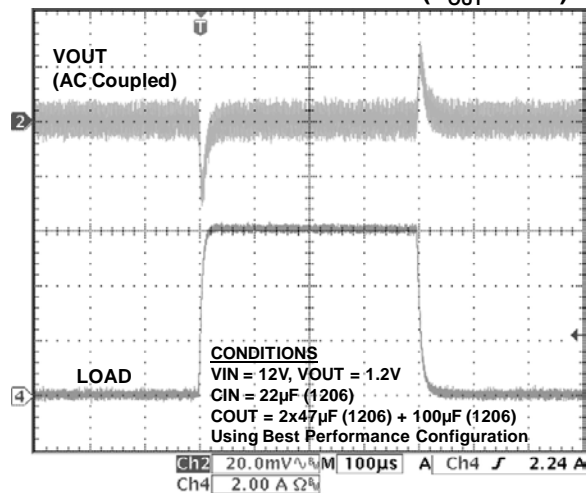


# Typical Performance Characteristics

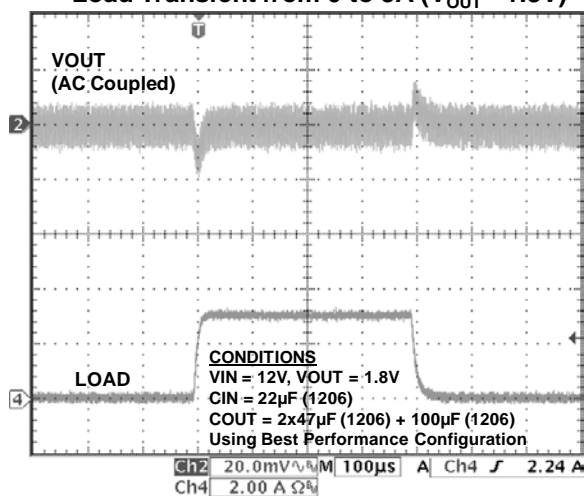
### Load Transient from 0 to 3A ( $V_{OUT} = 1.2V$ )



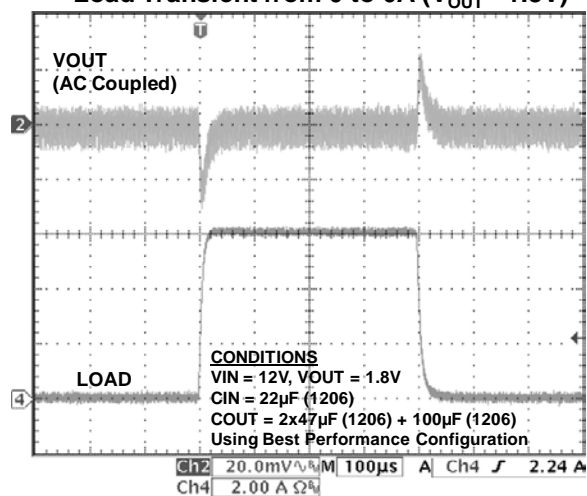
### Load Transient from 0 to 6A ( $V_{OUT} = 1.2V$ )



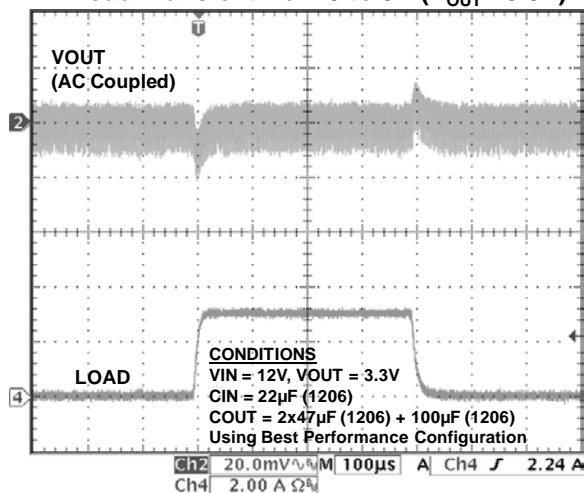
### Load Transient from 0 to 3A ( $V_{OUT} = 1.8V$ )



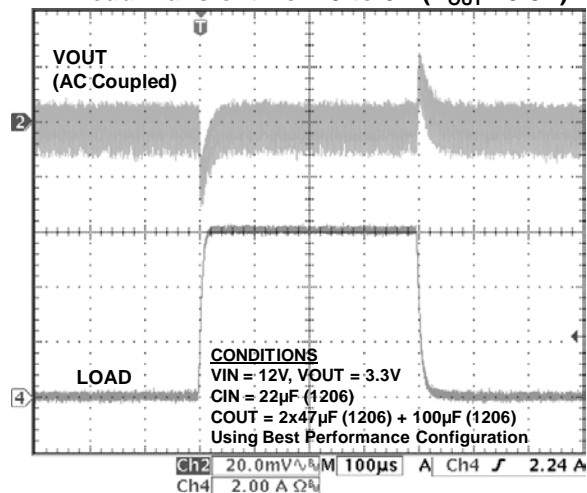
### Load Transient from 0 to 6A ( $V_{OUT} = 1.8V$ )



### Load Transient from 0 to 3A ( $V_{OUT} = 3.3V$ )



### Load Transient from 0 to 6A ( $V_{OUT} = 3.3V$ )



# Functional Block Diagram

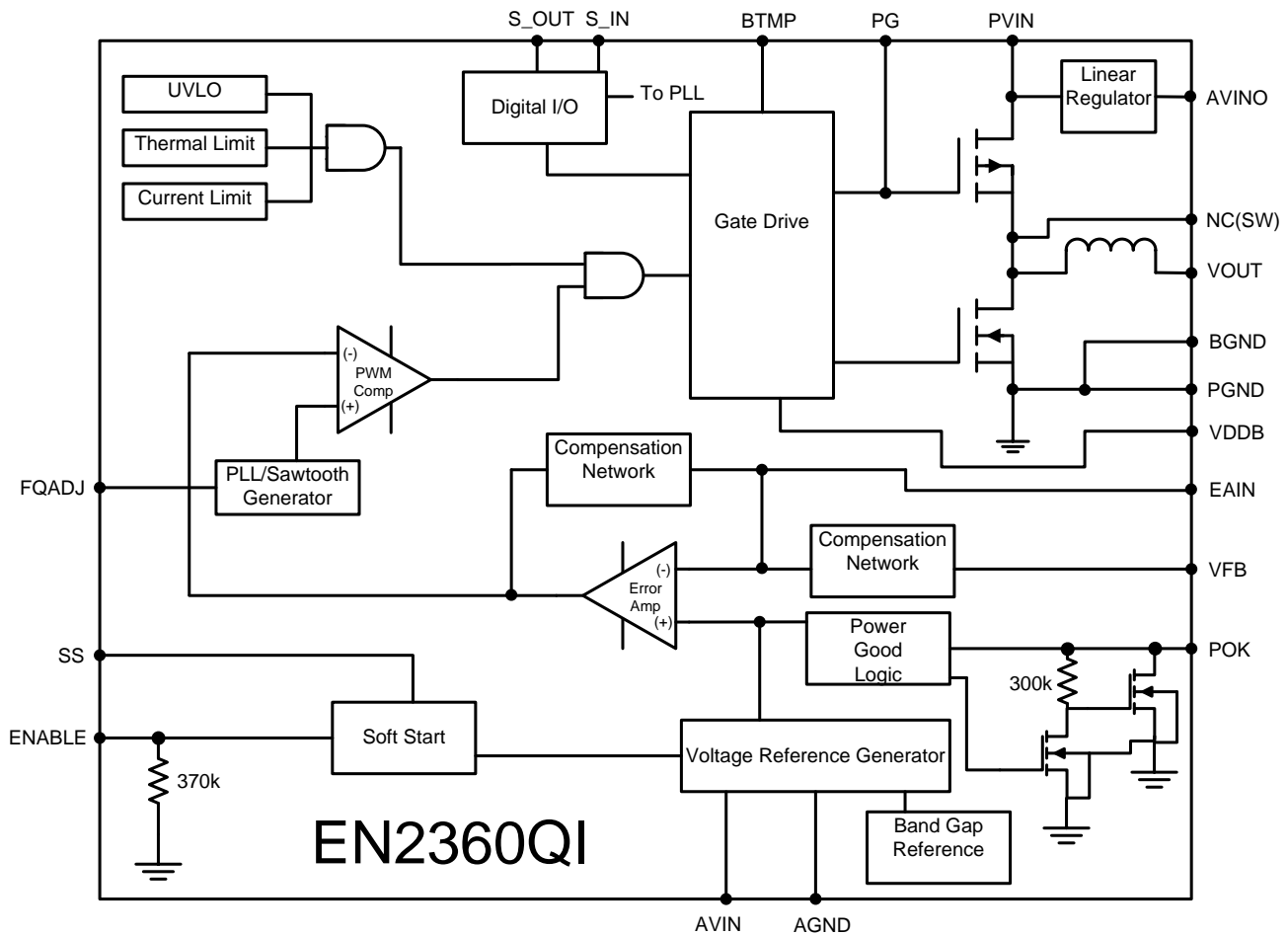


Figure 4: Functional Block Diagram

## Functional Description

### Synchronous Buck Converter

The EN2360QI is a highly integrated synchronous, buck converter with integrated controller, power MOSFET switches and integrated inductor. The nominal input voltage (PVIN) range is 4.5V to 14V and can support up to 6A of continuous output current. The output voltage is programmed using an external resistor divider network. The control loop utilizes a Type IV Voltage-Mode compensation network and maximizes on a low-noise PWM topology. Much of the compensation circuitry is internal to the device. However, a phase lead capacitor is required along with the output voltage feedback resistor divider to complete the Type IV compensation network. The high switching frequency of the EN2360QI enables the use of

small size input and output filter capacitors, as well as a wide loop bandwidth within a small footprint.

### Protection Features:

The power supply has the following protection features:

- Short Circuit Protection
- Thermal Shutdown with Hysteresis.
- AVIN Under-Voltage Lockout Protection

### Additional Features:

- Switching Frequency Synchronization.
- Programmable Soft-Start
- Power OK Output Monitoring

## Power Up Sequence

The EN2360QI is designed to be powered by either a single input supply (PVIN) or two separate supplies: one for PVIN and the other for AVIN. The EN2360QI is not “hot pluggable.” Refer to the PVIN Slew Rate specification on page 4.

### Single Input Supply Application (PVIN):

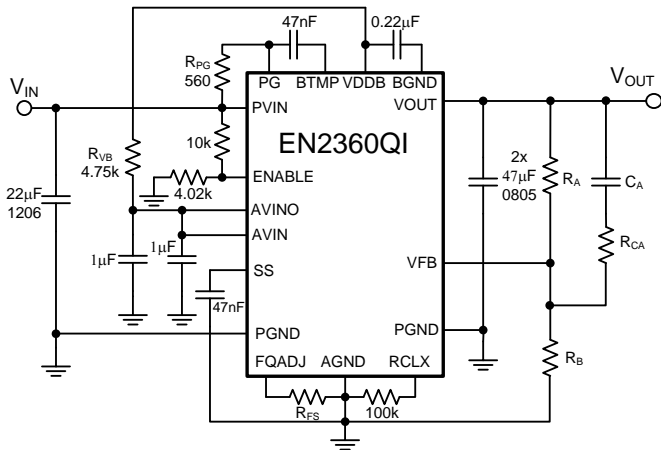


Figure 5: Single Input Supply Schematic

The EN2360QI has an internal linear regulator that converts PVIN to 3.4V. The output of the linear regulator is provided on the AVINO pin once the device is enabled. AVINO should be connected to AVIN on the EN2360QI. In this application, the following external components are required: Place a 1µF, X5R/X7R capacitor between AVINO and AGND as close as possible to AVINO. Place a 1µF, X5R/X7R capacitor between AVIN and AGND as close as possible to AVIN. In addition, place a resistor ( $R_{VB}$ ) between VDDDB and AVIN, as shown in Figure 5. Altera recommends  $R_{VB}=4.75k\Omega$ . In this application, ENABLE cannot be asserted before PVIN. See diagram below for a recommended startup and shutdown sequencing.

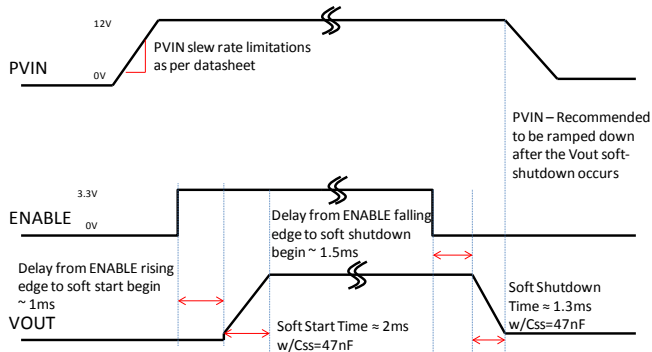


Figure 6: Single Supply Startup/Shutdown Sequence

If no external enable signal is used, a resistor divider (see Figure 5) from PVIN to ENABLE and

then to ground can be used to enable and disable the device at a programmed PVIN voltage level. The lower resistor (4.02k) can be adjusted to set startup and shutdown at a specific PVIN voltage level. See ENABLE and DISABLE thresholds in the Electrical Characteristics table.

### Dual Input Supply Application (PVIN and AVIN):

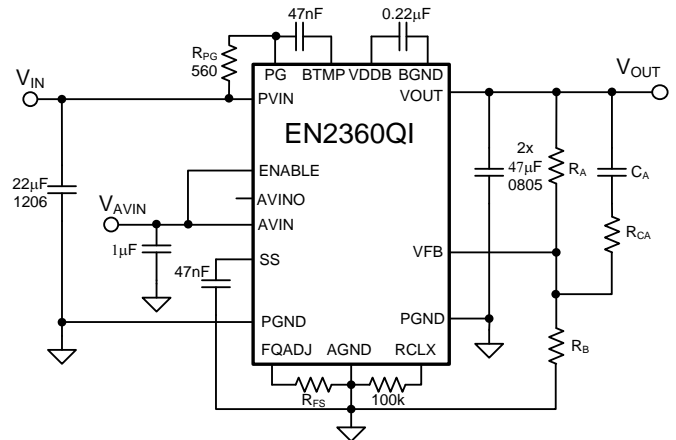


Figure 7: Dual Input Supply Schematic

In this application, place a 1µF, X5R/X7R, capacitor between AVIN and AGND as close as possible to AVIN. Refer to Figure 7 for a recommended schematic for a dual input supply application.

For dual input supply applications, the sequencing of the two input supplies, PVIN and AVIN, is very important. There are two common acceptable turn-on sequences for the device. AVIN can always come up before PVIN. If PVIN comes up before AVIN, then ENABLE must be toggled last, after AVIN is asserted. Do not turn off AVIN before PVIN and ENABLE during shutdown. Doing so will disable the internal controller while there may still be energy in the system. The device will not soft-shutdown properly and damage may occur. See diagram below for a recommended startup and shutdown sequencing.

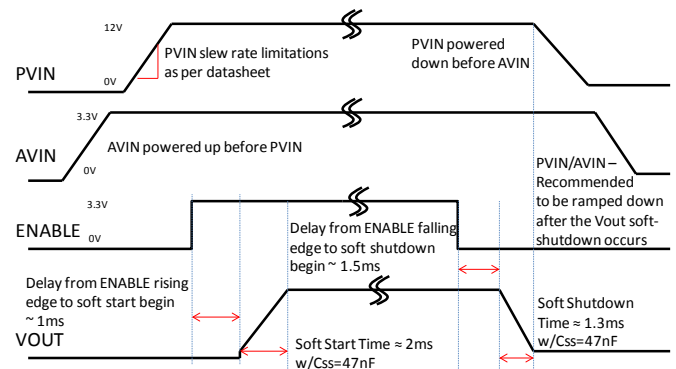


Figure 8: Dual Supply Startup/Shutdown Sequencing

## Enable Operation

The ENABLE pin provides a means to enable normal operation or to shut down the device. A logic high will enable the converter into normal operation. When the ENABLE pin is asserted (high) the device will undergo a normal soft-start. A logic low will disable the converter. A logic low will power down the device in a controlled manner and the device is subsequently shut down. The ENABLE signal has to be low for at least the ENABLE Lockout Time (8ms) in order for the device to be re-enabled. To ensure accurate startup sequencing the ENABLE/DISABLE signal should be faster than 1V/100 $\mu$ s. A slower ENABLE/DISABLE signal may result in a delayed startup and shutdown response. Do not leave ENABLE floating.

## Pre-Bias Precaution

The EN2360QI is not designed to be turned on into a pre-biased output voltage. Be sure the output capacitors are not charged or the output of the EN2360QI is not pre-biased when the EN2360QI is first enabled.

## Frequency Synchronization

The switching frequency of the EN2360QI can be phase-locked to an external clock source to move unwanted beat frequencies out of band. The internal switching clock of the EN2360QI can be phase locked to a clock signal applied to the S\_IN pin. An activity detector recognizes the presence of an external clock signal and automatically phase-locks the internal oscillator to this external clock. Phase-lock will occur as long as the input clock frequency is in the range of 0.8MHz to 1.8MHz. The external clock frequency must be within  $\pm 10\%$  of the nominal switching frequency set by the  $R_{FS}$  resistor. It is recommended to use a synchronized clock frequency close to the typical frequency recommendations in Table 1. A 3.01k $\Omega$  resistor from FQADJ to ground is recommended for clock frequencies within  $\pm 10\%$  of 1MHz. When no clock is present, the device reverts to the free running frequency of the internal oscillator set by the  $R_{FS}$  resistor.

The efficiency performance of the EN2360QI for various PVIN/VOUT combinations can be optimized by adjusting the switching frequency. Table 1 shows recommended  $R_{FS}$  values for various PVIN/VOUT combinations in order to optimize performance of the EN2360QI.

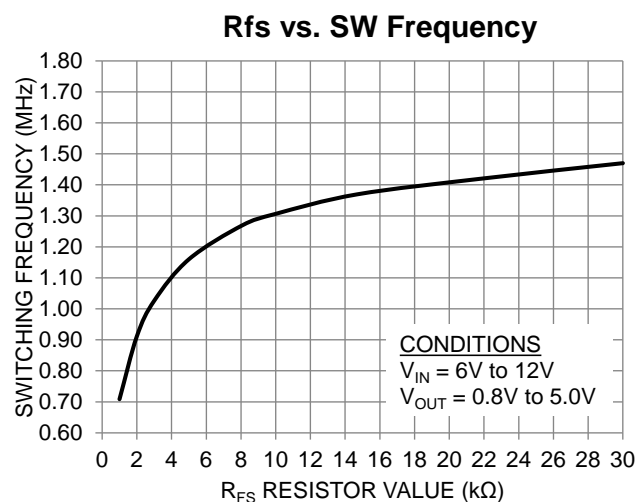


Figure 9.  $R_{FS}$  versus Switching Frequency

The efficiency performance of the EN2360QI for various VOUTs can be optimized by adjusting the switching frequency. Table 1 shows recommended  $R_{FS}$  values for various VOUTs in order to optimize performance of the EN2360QI.

PVIN	VOUT	$R_{FS}$	Typical fsw
12V	5.0V	30k	1.48 MHz
	3.3V	15k	1.38 MHz
	2.5V	10k	1.3 MHz
	1.8V	4.87k	1.15 MHz
	1.5V	3.01k	1.0 MHz
	1.2V	1.65k	0.95 MHz
	<1.0V	1.3k	0.8 MHz
5V	2.5V	22.1k	1.4 MHz
	1.8V	10k	1.3 MHz
	1.5V	6.65k	1.25 MHz
	1.2V	4.87k	1.15 MHz
	<1.0V	3.01k	1.0 MHz

Table 1: Recommended  $R_{FS}$  Values

## Soft-Start Operation

Soft start is a means to ramp the output voltage gradually upon start-up. The output voltage rise time is controlled by the choice of soft-start capacitor, which is placed between the SS pin (pin 56) and the AGND pin (pin 52). During start-up of the converter, the reference voltage to the error amplifier is linearly increased to its final level by an internal current source of approximately 10 $\mu$ A. The soft-start time is measured from when  $V_{IN} > V_{UVLOR}$  and ENABLE pin voltage crosses its logic high threshold to when  $V_{OUT}$  reaches its programmed value. The total soft-start time can be calculated by:

Soft Start Time (ms):  $T_{SS} \approx C_{SS} [nF] \times 0.06$

Typical soft-start time is approximately 2.8ms with SS capacitor value of 47nF.

## POK Operation

The POK signal is an open drain signal (requires a pull up resistor to AVIN or similar voltage) from the converter indicating the output voltage is within the specified range. Typically, a 100kΩ or lower resistance is used as the pull-up resistor. The POK signal will be logic high (AVIN) when the output voltage is above 90% of the programmed voltage level. If the output voltage is below this point, the POK signal will be a logic low. The POK signal can be used to sequence down-stream converters by tying to their enable pins.

## Short Circuit Protection

The short circuit protection feature will protect the device if the output is shorted to ground. Short circuit protection is achieved by sensing the current flowing through a sense PFET. When the sensed current exceeds the threshold for more than 32 cycles, both power FETs are turned off for the rest of the switching cycle. If the short circuit condition is removed, the device will reactivate soft-start and

resume PWM operation. In the event the short circuit trips consistently in normal operation, the device enters a hiccup mode. While in hiccup mode, the device is disabled for a short while and restarted with a normal soft-start. The hiccup time is approximately 32ms. This cycle can continue indefinitely as long as the short circuit condition persists. Use a resistor value of 100k from the RCLX pin to ground to enable this feature.

## Thermal Overload Protection

Thermal shutdown circuit will disable device operation when the junction temperature exceeds approximately 160°C. After a thermal shutdown event, when the junction temperature drops by approx 35°C, the converter will re-start with a normal soft-start.

## Input Under-Voltage Lock-Out (UVLO)

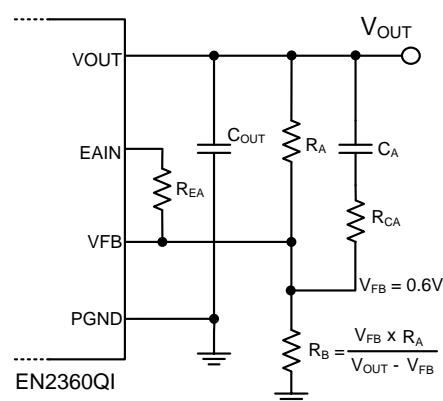
Internal circuits ensure that the converter will not start switching until the AVIN input voltage is above the specified minimum voltage. Hysteresis, input de-glitch and output leading edge blanking ensures high noise immunity and prevents false UVLO triggers.

## Application Information

### Output Voltage Programming and Loop Compensation

The EN2360QI uses a Type IV Voltage Mode compensation network. Type IV Voltage Mode control is a proprietary Altera Enpirion control scheme that maximizes control loop bandwidth to deliver excellent load transient response and maintain output regulation with pin point accuracy. For ease of use, most of this network has been optimized and is integrated within the device package. The EN2360QI output voltage is programmed using a simple resistor divider network ( $R_A$  and  $R_B$ ). The feedback voltage at VFB is nominally 0.6V.  $R_A$  is predetermined based on Table 5 and  $R_B$  can be calculated based on Figure 10. The values recommended for  $C_{OUT}$ ,  $C_A$ ,  $R_{CA}$  and  $R_{EA}$  make up the external compensation of the EN2360QI. It will vary with each PVIN and VOUT combination to optimize on performance. The EN2360QI solution can be optimized for either smallest size or highest performance. Please see Table 5 for a list of recommended  $R_A$ ,  $C_A$ ,  $R_{CA}$ ,  $R_{EA}$  and  $C_{OUT}$  values for each solution. Since VFB is a

sensitive node, do not touch the VFB node while the device is in operation as doing so may introduce parasitic capacitance into the control loop that causes the device to behave abnormally and damage may occur.



**Figure 10:**  $V_{OUT}$  Resistor Divider & Compensation Components. See Table 5 for details.



## Input Capacitor Selection

The EN2360QI requires a 22 $\mu$ F/1206 input capacitor. Low-cost, low-ESR ceramic capacitors should be used as input capacitors for this converter. The dielectric must be X5R or X7R rated. **Y5V or equivalent dielectric formulations must not be used as these lose too much capacitance with frequency, temperature and bias voltage.** In some applications, lower value capacitors are needed in parallel with the larger, capacitors in order to provide high frequency decoupling. Table 2 contains a list of recommended input capacitors.

### Recommended Input Capacitors

Description	MFG	P/N
22 $\mu$ F, 16V, X5R, 10%, 1206	Murata	GRM31CR61C226ME15
22 $\mu$ F, 16V, X5R, 20%, 1206	Taiyo Yuden	EMK316ABJ226ML-T

**Table 2:** Recommended Input Capacitors

## Output Capacitor Selection

As seen from Table 5, the EN2360QI has been optimized for use with one 100 $\mu$ F/1206 plus two 47 $\mu$ F/1206 output capacitors for best performance. For the smallest solution size configuration see Table 5. Low ESR ceramic capacitors are required with X5R or X7R rated dielectric formulation. **Y5V or equivalent dielectric formulations must not be used as these lose too much capacitance with frequency, temperature and bias voltage.** Table 4 contains a list of recommended output capacitors. In some applications, extra bulk capacitance is required at the load. In this case, up to 1000 $\mu$ F of bulk capacitance may be used at the load as long as the minimum ESR between the device output and the bulk capacitance is

maintained. Table 3 shows the recommended compensation components for applications that require bulk capacitance at the load.

VPIN (V)	VOUT (V)	Min. ESR	Compensation
4.5 to 14	0.6 to 5.0	4m $\Omega$	C <sub>OUT</sub> = 2x47 $\mu$ F/1206 Bulk Cap $\leq$ 1000 $\mu$ F C <sub>A</sub> = 18pF R <sub>A</sub> = 200k $\Omega$ R <sub>CA</sub> = 0 $\Omega$ R <sub>EA</sub> = 56k $\Omega$

**Table 3:** Minimum ESR for Bulk Capacitance at Load

Output ripple voltage is determined by the aggregate output capacitor impedance. Capacitor impedance, denoted as Z, is comprised of capacitive reactance, effective series resistance, ESR, and effective series inductance, ESL reactance.

Placing output capacitors in parallel reduces the impedance and will hence result in lower ripple voltage.

$$\frac{1}{Z_{Total}} = \frac{1}{Z_1} + \frac{1}{Z_2} + \dots + \frac{1}{Z_n}$$

### Recommended Output Capacitors

Description	MFG	P/N
47 $\mu$ F, 6.3V, X5R, 20%, 1206	Murata	GRM31CR60J476ME19L
47 $\mu$ F, 10V, X5R, 20%, 1206	Taiyo Yuden	LMK316BJ476ML-T
22 $\mu$ F, 10V, X5R, 20%, 0805	Panasonic	ECJ-2FB1A226M
47 $\mu$ F, 6.3V, X5R, 20%, 0805	Taiyo Yuden	JMK212BBJ476MG-T
22 $\mu$ F, 10V, X5R, 20%, 0805	Taiyo Yuden	LMK212BJ226MG-T

**Table 4:** Recommended Output Capacitors

Best Performance							Smallest Solution Size							
C <sub>IN</sub> = 22μF/1206							C <sub>IN</sub> = 22μF/1206							
C <sub>OUT</sub> = 100μF/1206 + 2x47μF/1206, R <sub>A</sub> = 200kΩ							V <sub>OUT</sub> ≤ 1.8V, C <sub>OUT</sub> = 2x47μF/0805 1.8V ≤ V <sub>OUT</sub> ≤ 3.3V, C <sub>OUT</sub> = 2x47μF/1206							
PVIN (V)	VOUT (V)	C <sub>A</sub> (pF)	R <sub>CA</sub> (kΩ)	R <sub>EA</sub> (kΩ)	Ripple (mV)	Deviation (mV)	PVIN (V)	VOUT (V)	R <sub>A</sub> (kΩ)	C <sub>A</sub> (pF)	R <sub>CA</sub> (kΩ)	R <sub>EA</sub> (kΩ)	Ripple (mV)	Deviation (mV)
14V	0.9V	15	8.2	0	5.29	26	14V	0.9V	200	10	0.2	Open	15	51
	1.2V	12	8.2	0	6.6	22		1.2V	200	10	0.2	Open	19	68
	1.5V	12	12	0	8.39	24		1.5V	200	10	0.2	Open	24	66
	1.8V	10	12	0	9.7	28		1.8V	200	8.2	0.2	Open	24	66
	2.5V	10	12	56	18.8	54		2.5V	120	8.2	15	Open	43	86
	3.3V	8.2	18	56	28.8	54		3.3V	120	6.8	15	Open	52	106
	5.0V	6.8	12	56	52.1	66		5.0V	120	5.6	0.2	Open	66	152
12V	0.9V	15	8.2	0	5.22	28	12V	0.9V	200	12	0.2	Open	17	57
	1.2V	15	8.2	0	6.51	22		1.2V	200	12	0.2	Open	18	70
	1.5V	12	12	0	7.5	28		1.5V	200	12	0.2	Open	24	70
	1.8V	10	12	0	9	34		1.8V	200	10	0.2	Open	26	80
	2.5V	12	12	56	16.8	50		2.5V	120	10	15	Open	39	94
	3.3V	10	18	56	27.3	54		3.3V	120	10	15	Open	45	114
	5.0V	8.2	12	56	48.5	74		5.0V	120	6.8	0.2	Open	56	164
10V	0.9V	18	8.2	0	5.01	28	10V	0.9V	200	18	0.2	Open	15	69
	1.2V	18	8.2	0	6.11	26		1.2V	200	18	0.2	Open	19	67
	1.5V	15	12	0	7.3	28		1.5V	200	15	0.2	Open	23	78
	1.8V	12	12	0	8.13	32		1.8V	200	12	0.2	Open	29	94
	2.5V	15	12	56	16.8	44		2.5V	120	15	15	Open	29	98
	3.3V	12	18	56	27.2	68		3.3V	120	12	15	Open	44	128
	5.0V	10	12	56	42	84		5.0V	120	10	0.2	Open	52	192
8V	0.9V	22	8.2	0	4.92	26	8V	0.9V	200	27	0.2	Open	16	68
	1.2V	18	8.2	0	5.41	32		1.2V	200	22	0.2	Open	19	75
	1.5V	15	12	0	6.48	32		1.5V	200	22	0.2	Open	23	82
	1.8V	15	12	0	7.32	36		1.8V	200	18	0.2	Open	27	104
	2.5V	18	12	56	16.1	64		2.5V	120	27	6.8	Open	36	124
	3.3V	15	18	56	24	72		3.3V	120	22	6.8	Open	36	152
	5.0V	12	12	56	31.4	102		5.0V	120	12	0.2	Open	40	236
6.6V	0.9V	22	8.2	0	4.6	30	6.6V	0.9V	200	33	0.2	Open	14	70
	1.2V	22	8.2	0	5.59	32		1.2V	200	33	0.2	Open	17	80
	1.5V	18	12	0	5.88	36		1.5V	200	27	0.2	Open	21	96
	1.8V	18	12	0	7.12	38		1.8V	200	27	0.2	Open	24	110
	2.5V	22	12	56	15.4	56		2.5V	120	39	4.3	Open	29	140
	3.3V	18	18	56	21.6	78		3.3V	120	27	4.3	Open	28	184
5V	0.9V	27	8.2	0	3.93	32	5V	0.9V	200	68	0.2	Open	13	80
	1.2V	22	8.2	0	4.4	38		1.2V	200	56	0.2	Open	15	92
	1.5V	22	12	0	5.91	38		1.5V	200	47	0.2	Open	17	106
	1.8V	22	12	0	6.91	42		1.8V	200	39	0.2	Open	19	124
	2.5V	27	12	56	13.6	76		2.5V	120	68	0.2	Open	21	172

**Table 5:** R<sub>A</sub>, C<sub>A</sub>, R<sub>CA</sub> and R<sub>EA</sub> Values for Various PVIN/VOUT Combinations: Smallest Solution Size vs. Best Performance. See Figure 10. Use the equation in Figure 10 to calculate R<sub>B</sub>.

**Note 7:** Nominal Deviation is for a 6A load transient step.

**Note 8:** For compensation values of output voltage in between the specified output voltages, choose compensation values of the lower output voltage setting.

## Thermal Considerations

Thermal considerations are important power supply design facts that cannot be avoided in the real world. Whenever there are power losses in a system, the heat that is generated by the power dissipation needs to be accounted for. The Altera Enpirion PowerSoC helps alleviate some of those concerns.

The Altera Enpirion EN2360QI DC-DC converter is packaged in an 8x11x3mm 68-pin QFN package. The QFN package is constructed with copper lead frames that have an exposed thermal pad. The exposed thermal pad on the package should be soldered directly on to a copper ground pad on the printed circuit board (PCB) to act as a heat sink. The recommended maximum junction temperature for continuous operation is 125°C. Continuous operation above 125°C may reduce long-term reliability. The device has a thermal overload protection circuit designed to turn off the device at an approximate junction temperature value of 160°C.

The following example and calculations illustrate the thermal performance of the EN2360QI.

Example:

$$V_{IN} = 12V$$

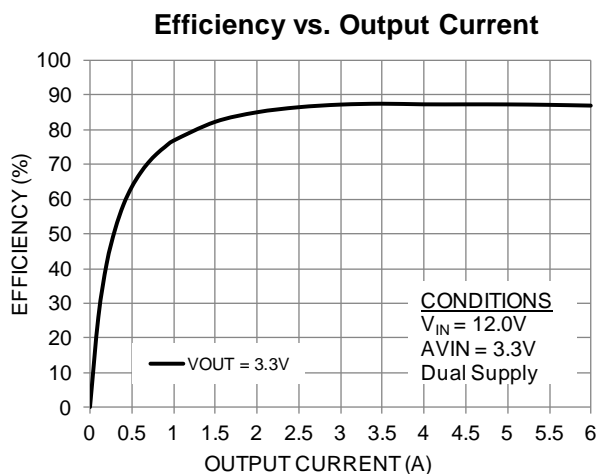
$$V_{OUT} = 3.3V$$

$$I_{OUT} = 6A$$

First calculate the output power.

$$P_{OUT} = 3.3V \times 6A = 19.8W$$

Next, determine the input power based on the efficiency ( $\eta$ ) shown in Figure 11.



**Figure 11:** Efficiency vs. Output Current

For  $V_{IN} = 12V$ ,  $V_{OUT} = 3.3V$  at 6A,  $\eta \approx 87\%$

$$\eta = P_{OUT} / P_{IN} = 87\% = 0.87$$

$$P_{IN} = P_{OUT} / \eta$$

$$P_{IN} \approx 19.8W / 0.87 \approx 22.76W$$

The power dissipation ( $P_D$ ) is the power loss in the system and can be calculated by subtracting the output power from the input power.

$$P_D = P_{IN} - P_{OUT}$$

$$\approx 22.76W - 19.8W \approx 2.96W$$

With the power dissipation known, the temperature rise in the device may be estimated based on the theta JA value ( $\theta_{JA}$ ). The  $\theta_{JA}$  parameter estimates how much the temperature will rise in the device for every watt of power dissipation. The EN2360QI has a  $\theta_{JA}$  value of 16 °C/W without airflow.

Determine the change in temperature ( $\Delta T$ ) based on  $P_D$  and  $\theta_{JA}$ .

$$\Delta T = P_D \times \theta_{JA}$$

$$\Delta T \approx 2.96W \times 16^\circ C/W = 47.36^\circ C \approx 47^\circ C$$

The junction temperature ( $T_J$ ) of the device is approximately the ambient temperature ( $T_A$ ) plus the change in temperature. We assume the initial ambient temperature to be 25°C.

$$T_J = T_A + \Delta T$$

$$T_J \approx 25^\circ C + 47^\circ C \approx 72^\circ C$$

The maximum operating junction temperature ( $T_{JMAX}$ ) of the device is 125°C, so the device can operate at a higher ambient temperature. The maximum ambient temperature ( $T_{AMAX}$ ) allowed can be calculated.

$$T_{AMAX} = T_{JMAX} - P_D \times \theta_{JA}$$

$$\approx 125^\circ C - 47^\circ C \approx 78^\circ C$$

The maximum ambient temperature the device can reach is 78°C given the input and output conditions. Note that the efficiency will be slightly lower at higher temperatures and this calculation is an estimate.

Engineering Schematic

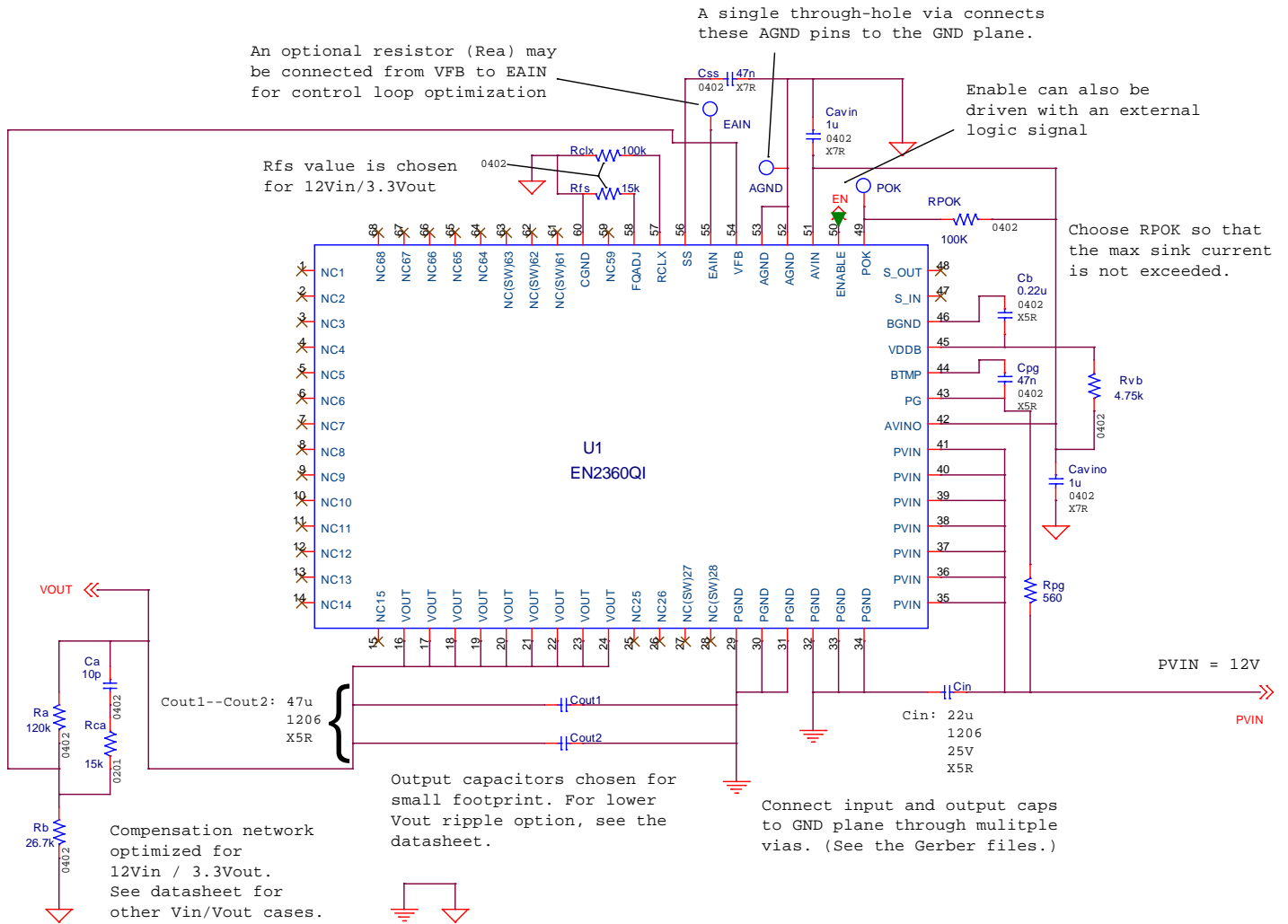
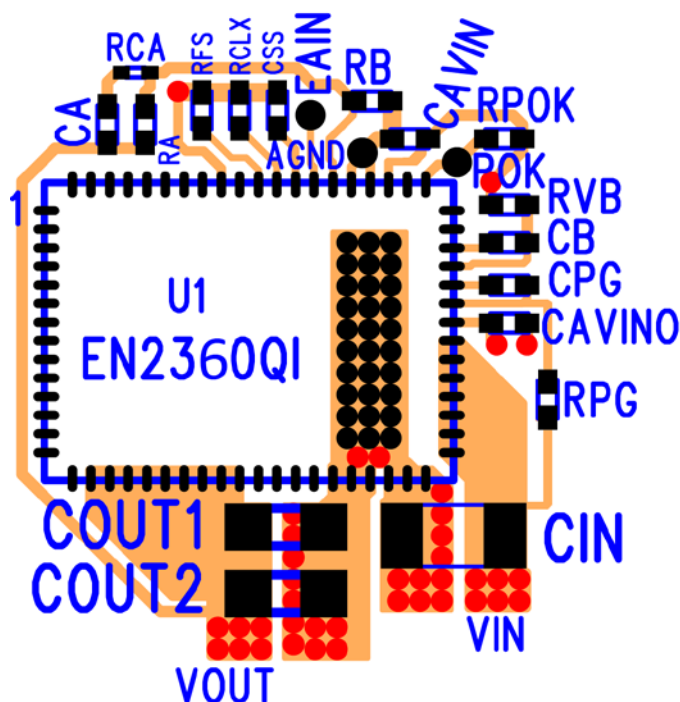


Figure 12: Engineering Schematic with Engineering Notes

## Layout Recommendation



**Figure 13:** Top Layer Layout with Critical Components (Top View). See Figure 12 for corresponding schematic.

*This layout only shows the critical components and top layer traces for minimum footprint in single-supply mode. Alternate circuit configurations & other low-power pins need to be connected and routed according to customer application. Please see the Gerber files at [www.altera.com/enpirion](http://www.altera.com/enpirion) for details on all layers.*

**Recommendation 1:** Input and output filter capacitors should be placed on the same side of the PCB, and as close to the EN2360QI package as possible. They should be connected to the device with very short and wide traces. Do not use thermal reliefs or spokes when connecting the capacitor pads to the respective nodes. The +V and GND traces between the capacitors and the EN2360QI should be as close to each other as possible so that the gap between the two nodes is minimized, even under the capacitors.

**Recommendation 2:** The PGND connections for the input and output capacitors on layer 1 need to have a slit between them in order to provide some separation between input and output current loops.

**Recommendation 3:** The system ground plane should be the first layer immediately below the surface layer. This ground plane should be continuous and un-interrupted below the converter and the input/output capacitors.

**Recommendation 4:** The thermal pad underneath the component must be connected to the system ground plane through as many vias as possible. The drill diameter of the vias should be 0.33mm, and the vias must have at least 1 oz. copper plating on the inside wall, making the finished hole size around 0.20-0.26mm. Do not use thermal reliefs or spokes to connect the vias to the ground plane. This connection provides the path for heat dissipation from the converter.

**Recommendation 5:** Multiple small vias (the same size as the thermal vias discussed in recommendation 4) should be used to connect ground terminal of the input capacitor and output capacitors to the system ground plane. It is preferred to put these vias along the edge of the GND copper closest to the +V copper. These vias connect the input/output filter capacitors to the GND plane, and help reduce parasitic inductances in the input and output current loops. If vias cannot be placed under the capacitors, then place them on both sides of the slit in the top layer PGND copper.

**Recommendation 6:** AVIN is the power supply for the small-signal control circuits. AVINO powers AVIN in single supply mode. AVIN and AVINO should have a decoupling capacitor close to each of their pins. Refer to Figure 13.

**Recommendation 7:** The layer 1 metal under the device must not be more than shown in Figure 13. Refer to the section regarding Exposed Metal on Bottom of Package. As with any switch-mode DC/DC converter, try not to run sensitive signal or control lines underneath the converter package on other layers.

**Recommendation 8:** The  $V_{OUT}$  sense point should be just after the last output filter capacitor. Keep the sense trace short in order to avoid noise coupling into the node. Contact Altera MySupport for any remote sensing applications.

**Recommendation 9:** Keep  $R_A$ ,  $C_A$ ,  $R_B$ , and  $R_{CA}$  close to the VFB pin (Refer to Figure 13). The VFB pin is a high-impedance, sensitive node. Keep the trace to this pin as short as possible. Whenever possible, connect  $R_B$  directly to the AGND (pin 52, 53) instead of going through the GND plane.

**Recommendation 10:** Follow all the layout recommendations as close as possible to optimize performance. Altera provides schematic and layout reviews for all customer designs. Contact Altera MySupport for detailed support ([www.altera.com/mysupport](http://www.altera.com/mysupport)).

## Design Considerations for Lead-Frame Based Modules

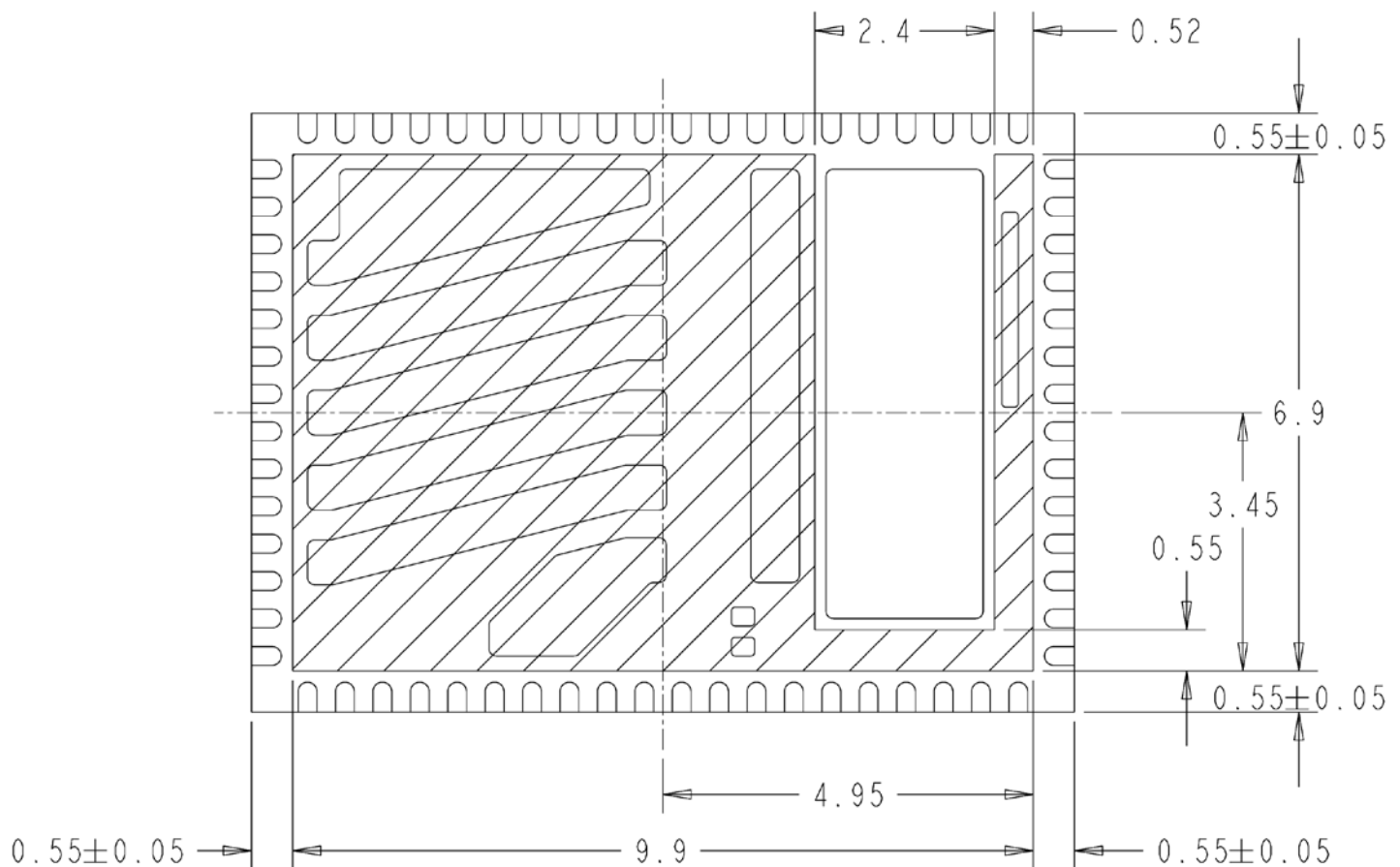
### Exposed Metal on Bottom of Package

Lead-frames offer many advantages in thermal performance, in reduced electrical lead resistance, and in overall foot print. However, they do require some special considerations.

In the assembly process lead frame construction requires that, for mechanical support, some of the lead-frame cantilevers be exposed at the point where wire-bond or internal passives are attached. This results in several small pads being exposed on the bottom of the package, as shown in Figure 14.

Only the thermal pad and the perimeter pads are to be mechanically or electrically connected to the PC board. The PCB top layer under the EN2360QI should be clear of any metal (copper pours, traces, or vias) except for the thermal pad. The “shaded-out” area in Figure 14 represents the area that should be clear of any metal on the top layer of the PCB. Any layer 1 metal under the shaded-out area runs the risk of undesirable shorted connections even if it is covered by soldermask.

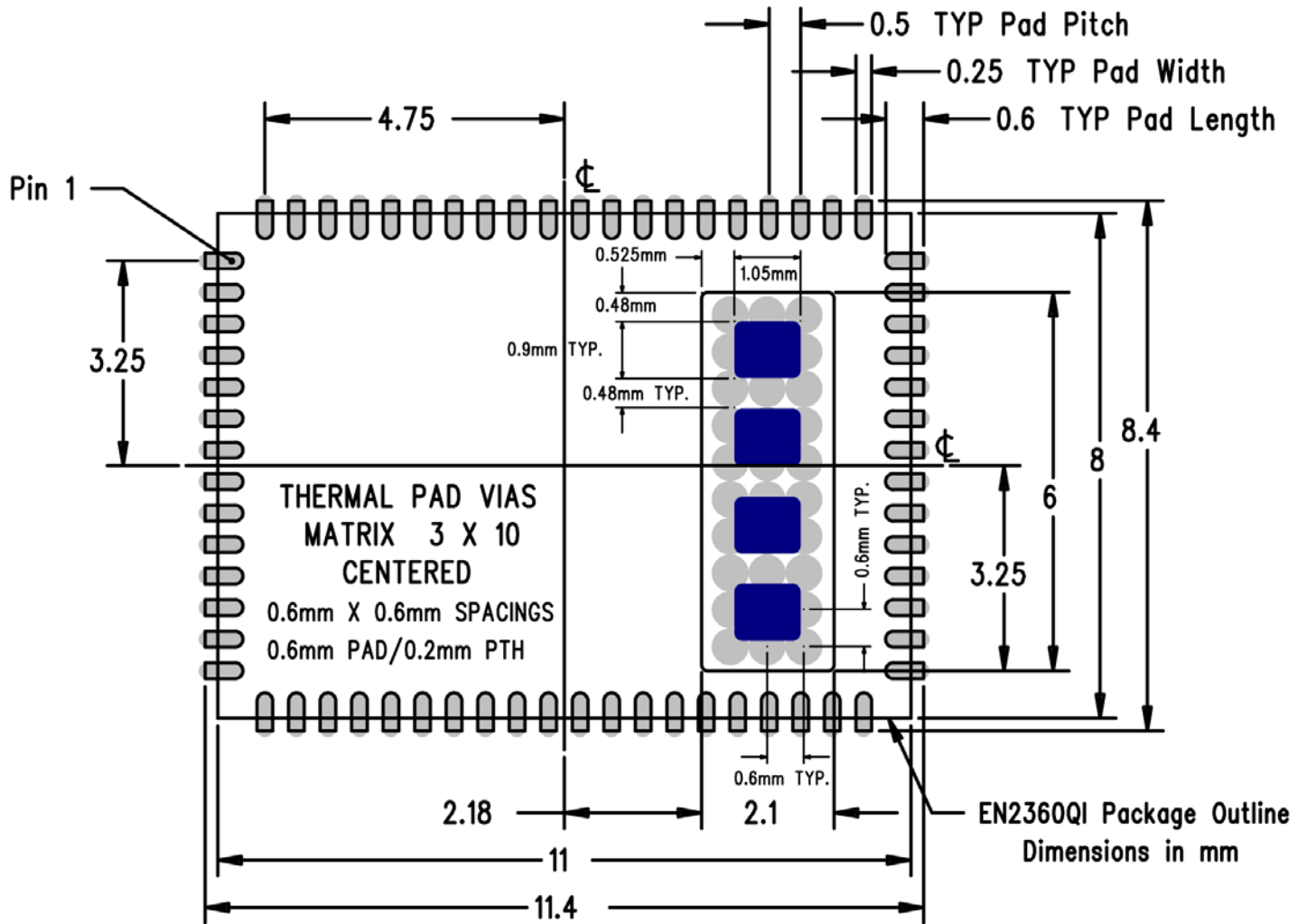
The solder stencil aperture should be smaller than the PCB ground pad. This will prevent excess solder from causing bridging between adjacent pins or other exposed metal under the package. Please consult the EN2360QI QFN Package Soldering Guidelines for more details and recommendations.



**Figure 14:** Lead-Frame exposed metal (Bottom View)

Shaded area highlights exposed metal that is not to be mechanically or electrically connected to the PCB.

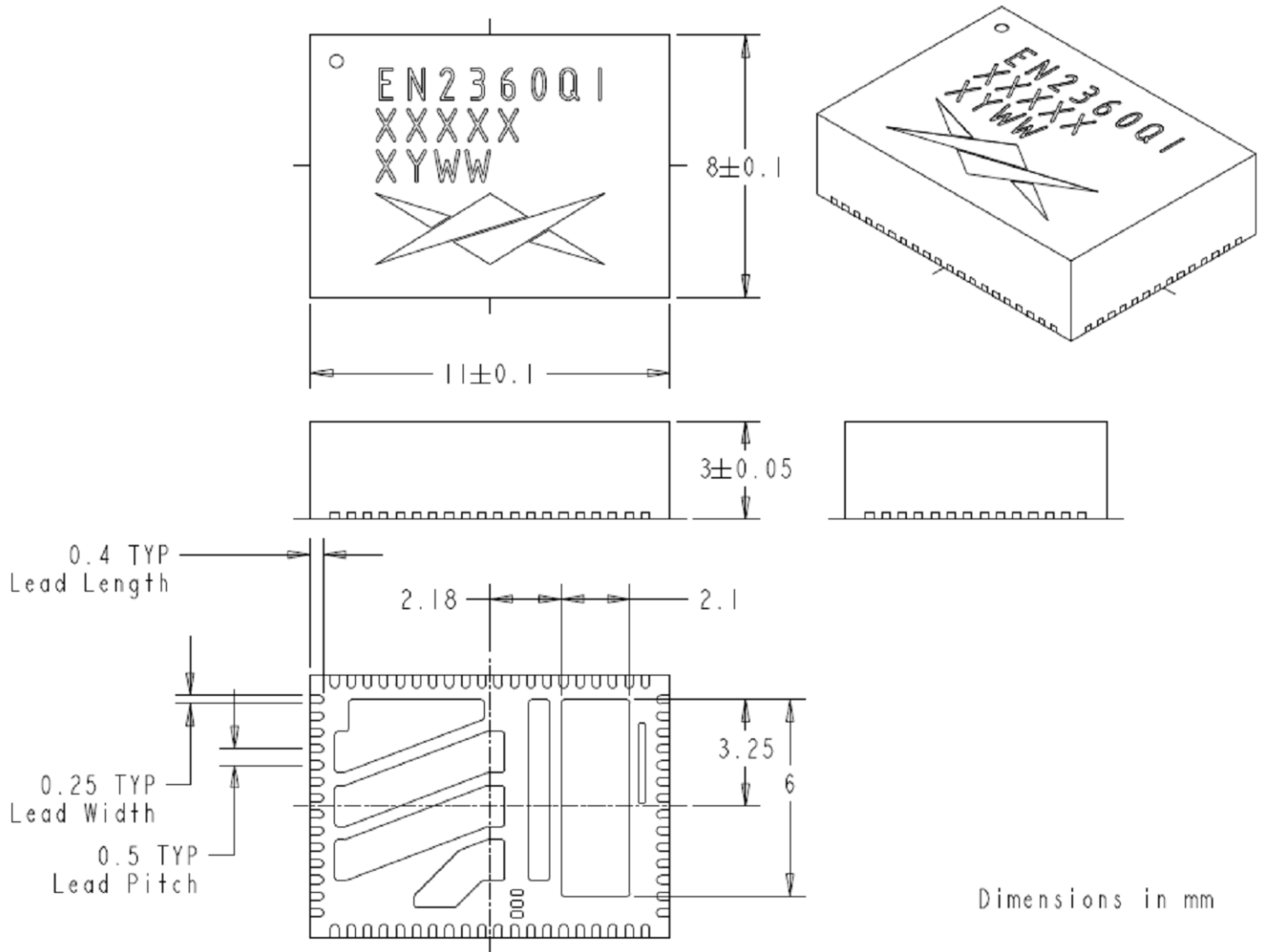
## Recommended PCB Footprint



**Figure 15:** EN2360QI PCB Footprint (Top View)

The solder stencil aperture for the thermal pad (shown in blue) is based on Altera's manufacturing recommendations.

## Package and Mechanical



**Figure 17: EN2360QI Package Dimensions (Bottom View)**

**Packing and Marking Information:** [www.altera.com/support/reliability/packing/rel-packing-and-marking.html](http://www.altera.com/support/reliability/packing/rel-packing-and-marking.html)

## Contact Information

Altera Corporation  
 101 Innovation Drive  
 San Jose, CA 95134  
 Phone: 408-544-7000  
[www.altera.com](http://www.altera.com)

© 2013 Altera Corporation—Confidential. All rights reserved. ALTERA, ARRIA, CYCLONE, ENPIRION, HARDCOPY, MAX, MEGACORE, NIOS, QUARTUS and STRATIX words and logos are trademarks of Altera Corporation and registered in the U.S. Patent and Trademark Office and in other countries. All other words and logos identified as trademarks or service marks are the property of their respective holders as described at [www.altera.com/common/legal.html](http://www.altera.com/common/legal.html). Altera warrants performance of its semiconductor products to current specifications in accordance with Altera's standard warranty, but reserves the right to make changes to any products and services at any time without notice. Altera assumes no responsibility or liability arising out of the application or use of any information, product, or service described herein except as expressly agreed to in writing by Altera. Altera customers are advised to obtain the latest version of device specifications before relying on any published information and before placing orders for products or services.