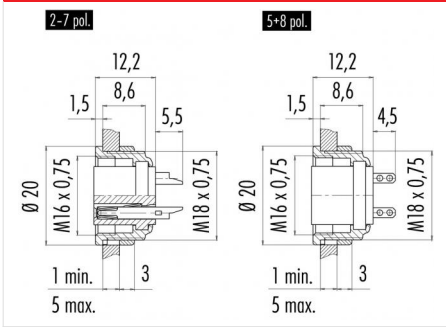


Product	Polzahl: 5, Flanschdose, löten, 2 – 8 pol, versilberte Kontakte
Area	M16 IP40 Series 581/ 680/ 682
Article number	09 0316 00 05

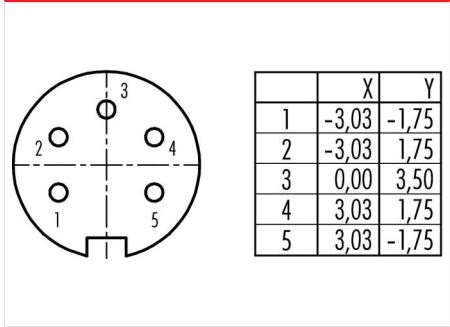
Illustration



Scale drawing



Contact Arrangement



You can find the assembly instruction on the next page.

Technical data

Common values

Connector Design	Female panel mount connector
Connector locking system	screw
Termination	Solder
Wire gauge (mm)	0.75 mm ²
Wire gauge (AWG)	20
Upper temperature	85 °C
Lower temperature	-40 °C

Electrical values

Rated voltage	250 V
Rated impulse voltage	1500 V
Pollution degree	1
Overvoltage category	I
Material group	III
Rated current (40°C)	6 A
Volume resistivity	≤ 5 mΩ
EMV compliance	shielded
Degree of protection	IP40
Mechanical operation	> 500 mating cycles

Material

Material of contact	CuSn (Bronze)
Contact plating	Ag (Silver)
Material of contact body	PBT (UL 94 V-0)
Material of housing	Nickel-plated zinc die casting

Product **Polzahl: 5, Flanschdose, löten, 2 – 8 pol, versilberte Kontakte**

Area **M16 IP40 Series 581/ 680/ 682**
Article number **09 0316 00 05**

Installation instructions / Mounting cutout

