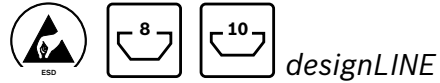
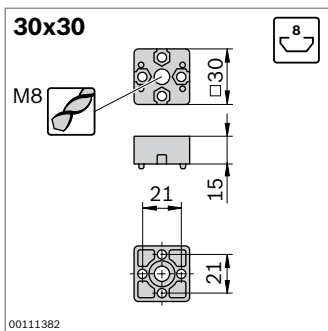


End connector



- ▶ For end-to-end profile connections
- ▶ *designLINE* version with special silver paint (RAL 9006) for an attractive, high-quality design
- ▶ Profile finishing:
 - 30x30: M8 thread cutting in central bores
 - 40x40, 45x45, 50x50: not required

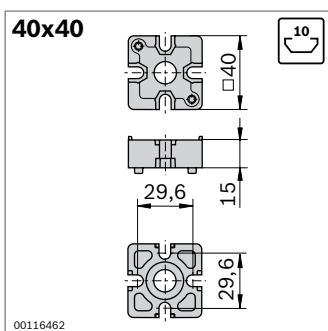


Type	
30x30	81 Nm
FS1	DIN 7984 M8x30
FS2	DIN 7984 M5x25 DIN 934 M5

End connector	Slot	ESD	No.	FS
30x30 Set (standard)	8		3 842 526 003	2xFS1, 4xFS2
<i>designLINE</i> set	8		3 842 538 656	2xFS1, 4xFS2

Material: End connector: Die-cast aluminum
designLINE end connector: painted (RAL 9006)
 Fastening material: steel; galvanized

Scope of delivery: set incl. fastening material (FS)

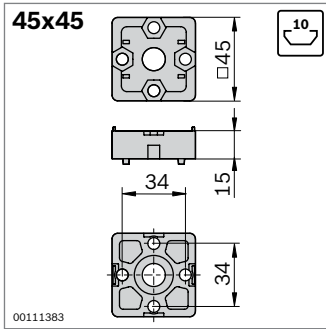


Type	
40x40	170 Nm
FS3	S12x30
FS4	DIN 7984 M6x25 DIN 4032 M6

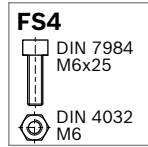
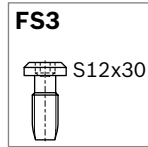
End connector	Slot	ESD	No.	FS
40x40 Set (standard)	10		3 842 532 196	2xFS3, 4xFS4
<i>designLINE</i> set	10		3 842 538 657	2xFS3, 4xFS4

Material: End connector: Die-cast aluminum
designLINE end connector: painted (RAL 9006)
 Fastening material: steel; galvanized

Scope of delivery: set incl. fastening material (FS)



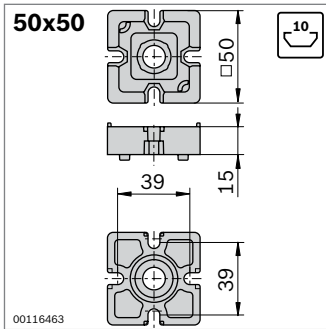
Type	
45x45	200 Nm



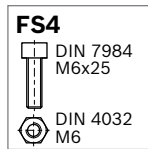
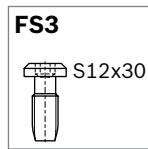
End connector	Slot	ESD No.	FS
45x45 Set (standard)	10		3 842 191 175 2xFS3, 4xFS4
<i>designLINE</i> set	10		3 842 538 658 2xFS3, 4xFS4

Material: End connector: diecast zinc
designLINE end connector: painted (RAL 9006)
Fastening material: steel; galvanized

Scope of delivery: set incl. fastening material (FS)



Type	
50x50	180 Nm



End connector	Slot	ESD No.	FS
50x50 Set (standard)	10		3 842 532 199 2xFS3, 4xFS4

Material: End connector: diecast zinc
Fastening material: steel; galvanized

Scope of delivery: set incl. fastening material (FS)