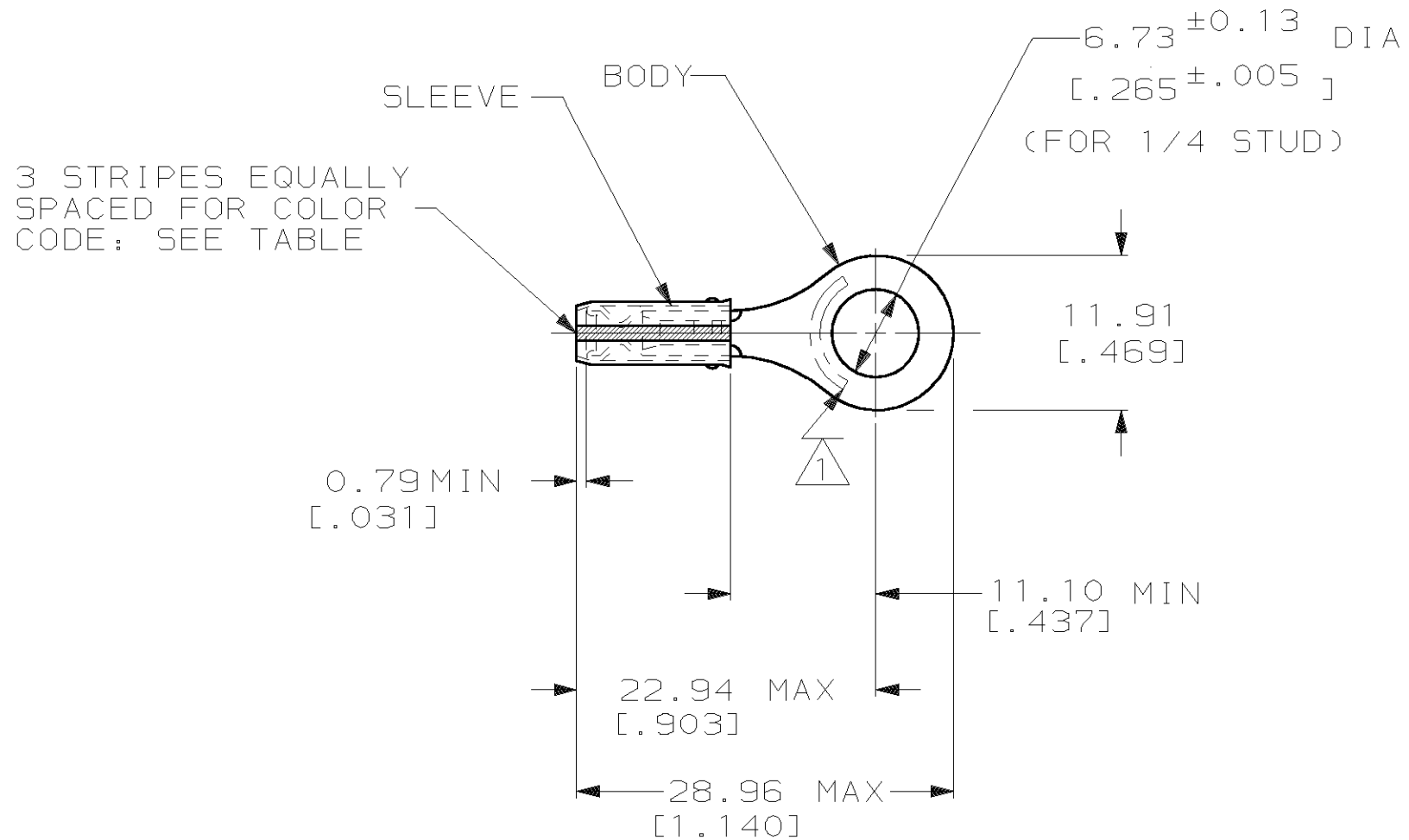


THIS DRAWING IS UNPUBLISHED. RELEASED FOR PUBLICATION, 19 .
 © COPYRIGHT 19 BY AMP INCORPORATED. ALL INTERNATIONAL RIGHTS RESERVED.

LOC	DIST	P	F	REVISIONS				
G	14			ZONE	LTR	DESCRIPTION	DATE	APPD
					AA	REV PER OG3A-0013-01	20FEB01	JR/TM

AMP
WIRE RANGE
SEE TABLE
STRANDED



- 1 STAMP AMP [] APPROX AS SHOWN
SEE TABLE BELOW
- 2 WIRE INSULATION DIA: 0.97 - 2.79 FOR 22 AWG
[.038 - .110]
1.17 - 2.79 FOR 20 AWG
[.046 - .110]
1.42 - 2.79 FOR 18 AWG
[.056 - .110]
- 3 TONGUE MATERIAL THK: 0.79±0.05
[.031±.002]
- 4 PRELIMINARY - NOT FOR PRODUCTION

-	WHITE	18*	18	5000	ON TAPE	△ 2-320571-8
M7928/1-34 CLASS 1 & 2	WHITE	18*	18	1000	LOOSE PIECE	2-320571-5
M7928/1-25 CLASS 1 & 2	RED	20*	20	1000	LOOSE PIECE	2-320571-4
M7928/1-16 CLASS 1 & 2	GREEN	22*	22	1000	LOOSE PIECE	2-320571-3

AMP INCORPORATED
CUSTOMER SERVICE SYSTEMS

FOR ADDITIONAL PRODUCT INFORMATION OR COPIES OF DRAWINGS AND TECHNICAL DOCUMENTS: PRODUCT INFORMATION CENTER 1-800-522-6752

FOR APPLICATION: TOOLING ASSISTANCE CENTER 1-800-722-1111

TOOLING INFORMATION: 1-800-722-1111

FOR ORDER ENTRY: 1-800-526-5142

MAX RECOMMENDED OPERATING TEMPERATURE: 105°C MAX

VOLTAGE RATING: 300 V MAX

WIRE RANGE: CIRC MIL AREA:

22	0.38mm ² [754]
20	0.60mm ² [1,186]
18	0.96mm ² [1,900]

STRANDED

THIS DRAWING IS A CONTROLLED DOCUMENT FOR AMP INCORPORATED. IT IS SUBJECT TO CHANGE AND THE CONTROLLING ENGINEERING ORGANIZATION SHOULD BE CONTACTED FOR THE LATEST REVISION.

MILITARY P/N AND CLASS: -

STRIPE COLOR: -

△ STAMPING

WIRE SIZE: -

QUANTITY: -

PACKAGE TYPE: -

PART NO: -

DO NOT SCALE PRINT. UNLESS SPECIFIED DIMENSIONS IN mm [INCHES] TOLERANCES ON:
 2 PLC DEC ± 0.20[.008]
 3 PLC DEC ± -
 ANGLES ± -

MATERIAL: COPPER PER ASTM B-152 SLEEVE, RED NYLON

FINISH: TIN PLATE PER ASTM B545

DR 9/8/93 DK SCHRUM
 CHK 9/8/93 RE HERSEY
 APPD 9/8/93 ML ELLIS
 APPD 9/8/93 M BARNABA
 PRODUCT SPEC -
 APPLICATION SPEC NOT AVAILABLE
 WEIGHT -

AMP AMP Incorporated
Harrisburg, PA 17105-3608

NAME: TERMINAL, RING TONGUE, I.R., PIDG™, WIRE SIZE: 22-16 AWG

SIZE: B CAGE CODE: 00779 DRAWING NO: C-320571

SCALE: NTS SHEET: 2 OF 2