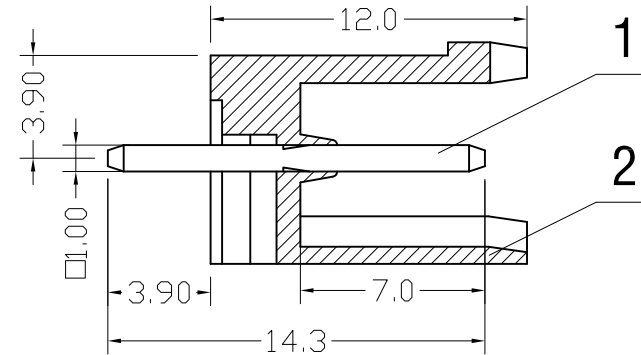
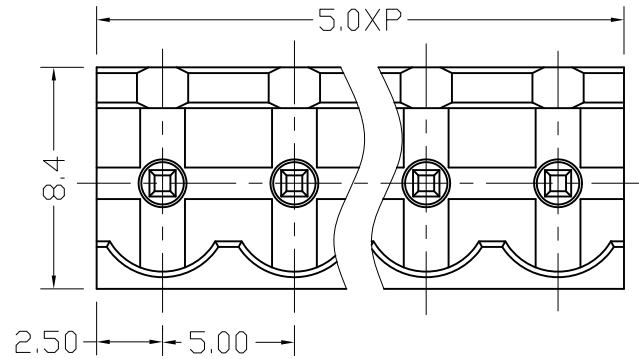


序号/RevNo.	名称/Title	文件编号/File No.
1	XY2500V 端子	QJ/XYT-2180101
2	XY2500 A 塑件	QJ/XYT-2180102

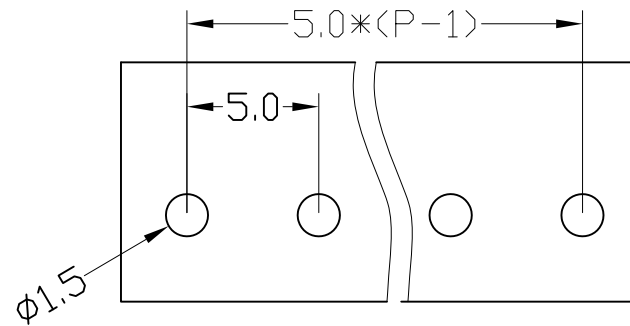


300V 15A

Poles: 2P-24P

Pitch: 5.0 mm

Pin Dimension: 1.0X1.0mm



PCB LAY OUT

Materials

Housing: PA66(UL 94V-0)

Solder Pin: Brass, 1.0t, Tin Plated.

设计/Designed by	绘图/Drawing by	审核/Checked by	批准/Approved by	未注公差 General Tolerance	
		图名/Title	文件编号/File No.	x. ± 0.2	x.' ± 2'
		XY2500V-A 产品图	QJ/XYT-2280100	.x ± 0.1	.x' ± 1'
		页序/Sheet		.xx ± 0.05	.xx' ± 0.5'
备注/Remark				.xxx ± 0.01	
				单位/Units:	mm

序号/RevNo.	更改记录/Revision note	签名/Signature	日期/Date