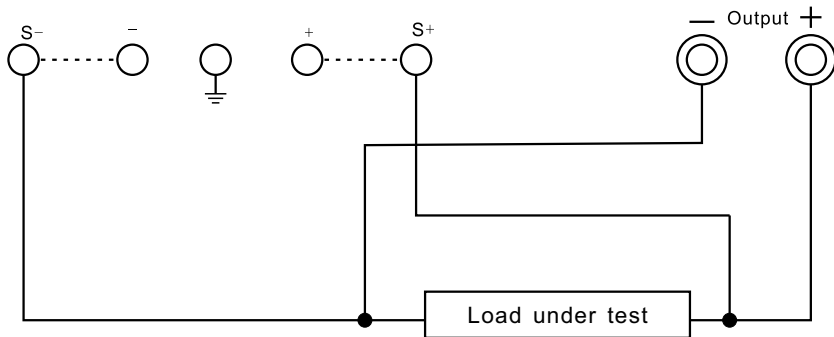


Operating Instructions:

1. Press the power on/off button to turn power on.
2. Adjust the voltage knob to set the desired voltage. (Voltage level is shown on the digital display)
3. Adjust the current level pot with a small regular screwdriver to set the (maximum) desired current level. (The current of the power supply is set to be the maximum at the factory)
4. Connecting a load to the output terminals and pressing the output switch will illuminate the output indicator light and the current output can be read on the digital display.
5. The sampling terminals are not often used. Use them under the following conditions: If the load has a distance from the power supply, the sampling terminals may be used to compensate for the inherent when using voltage drop a longer power line.

Sampling connection diagram:

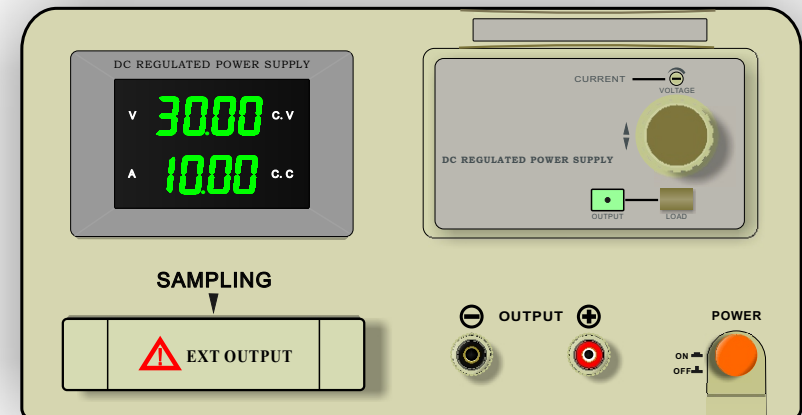


Attention: Disconnect the installed S-&S+ shorting wires when using the sampling connections.

JIUYUAN Electronics

Single Output DC Bench Power Supplies With Large Digital Display

3010E	0-30VDC/0-10A Regulated Power Supply
3020E	0-30VDC/0-20A Regulated Power Supply
6005E	0-60VDC/0-5A Regulated Power Supply
6010E	0-60VDC/0-10A Regulated Power Supply
12003E	0-120VDC/0-3A Regulated Power Supply



General Description:

Your new DC Regulated Power Supply provides accurate & stable DC power. It is ideal for test benches, laboratories, schools & repair facilities. The multi-turn voltage control knob helps the user accurately dial in precise voltage. It is easy to read digital outputs (voltage & current) through a large display accurately. This product is expertly manufactured for JIUYUAN electronics. It incorporates SMT PC boards & a cooling fan for reliable performance.

Features:

- * SMD technology
- * Attractive digital display shows voltage & current
- * A cooling fan
- * High precision voltage regulation
- * Progressive current regulation
- * Dual terminal system: Safety test style or expandable screw terminals
- * Overload protection circuit
- * Output polarity: positive or negative
- * Rugged reinforced metal frame construction

Specifications:

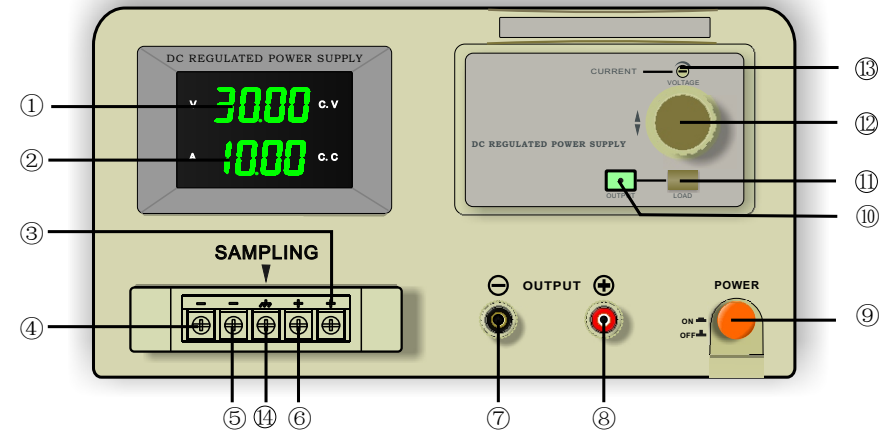
	Voltage	Current	Display		Ripple & Noise
3010E	0-30VDC	0-10A	10mV	10mA	1mV rms
3020E	0-30VDC	0-20A	10mV	10mA	1mV rms
6005E	0-60VDC	0-5A	10mV	1mA	3mV rms
6010E	0-60VDC	0-10A	10mV	10mA	3mV rms
12003E	0-120VDC	0-3A	100mV	1mA	5 mV rms

Description:

Utilizes SMD technology
 Light & Compact
 Output Polarity: Positive and Negative
 Digital Display shows Voltage and Current value
 Overload Protection Circuit
 Applicable for School, Production Line, Laboratory and Maintenance

Technical:

Input voltage	AC 220V 50Hz
Dimensions (W×H×D)	265×140×360mm
Weight	12Kg~20Kg



- | | |
|-----------------------|-----------------------------|
| 1. Voltage indication | 8. +Output terminal |
| 2. Current indication | 9. Power switch |
| 3. +S output port | 10. Output light |
| 4. -S output port | 11. Output switch |
| 5. -Output port | 12. Voltage adjustment Knob |
| 6. +Output port | 13. Current adjustment pot |
| 7. -Output terminal | 14. Chassis ground |