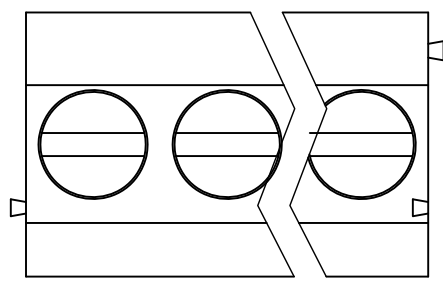
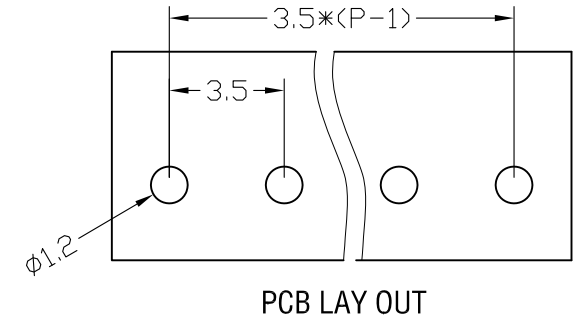
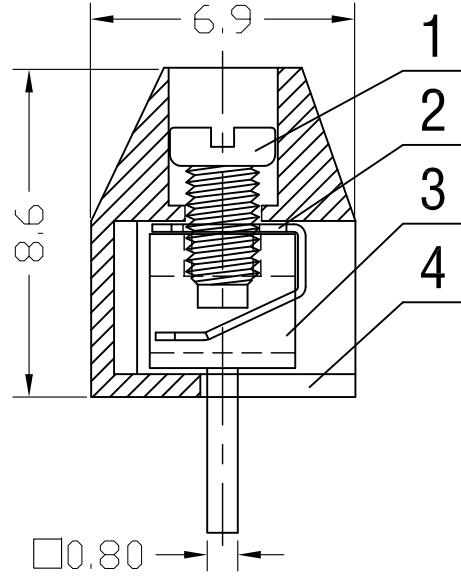
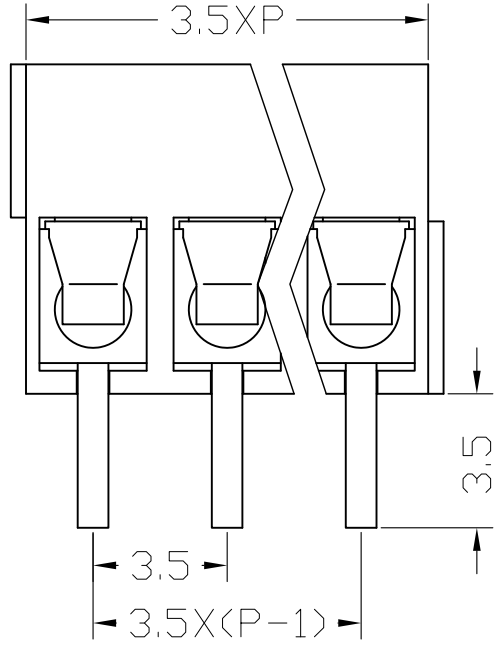


序号/RevNo.	名称/Title	文件编号/File No.
1	XY350 螺丝(一字) 通用302一字螺丝	QJ/XYT-2130101
2	XY350 簧片	QJ/XYT-2130102
3	XY350V 端子	QJ/XYT-2130103
4	XY350V 塑件3.5	QJ/XYT-2130104



UL:300V 7A 24-18AWG
 IEC:130V 10A 1.0mm²
 Poles: 2P&3P-24P
 Pitch: 3.5mm(.138")

Materials

Housing: PA66(UL 94V-0)
 Wire Protector: Stainless steel
 Solder Pin: Brass, Tin Plated
 Screw: M2, Steel(A3), Zinc Plated
 Torque: 0.2N.m

设计/Designed by	绘图/Drawing by	审核/Checked by	批准/Approved by	未注公差 General Tolerance			
				.x	± 0.2	x ⁺	± 2 [']
				.x	± 0.1	.x ⁺	± 1 [']
				.xxx	± 0.05	.xxx ⁺	± 0.5 [']
				.xxx	± 0.01		
图名/Title: XY350V-3.5 产品图 文件编号/File No.: QJ/XYT-2230100 页序/Sheet:				单位/Units: mm			
备注/Remark:							

序号/RevNo.	更改记录/Revision note	签名/Signature	日期/Date