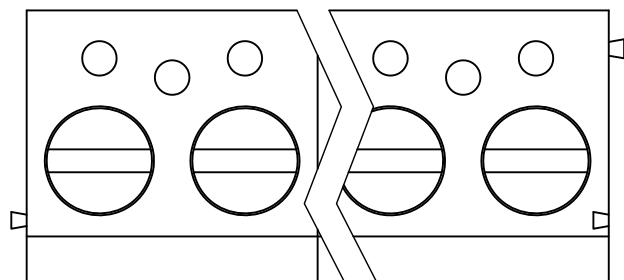
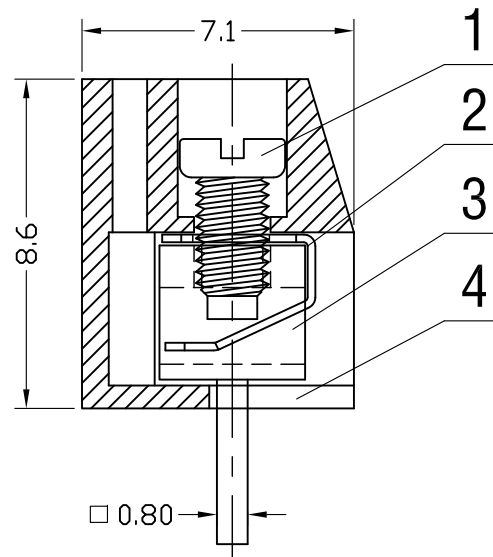
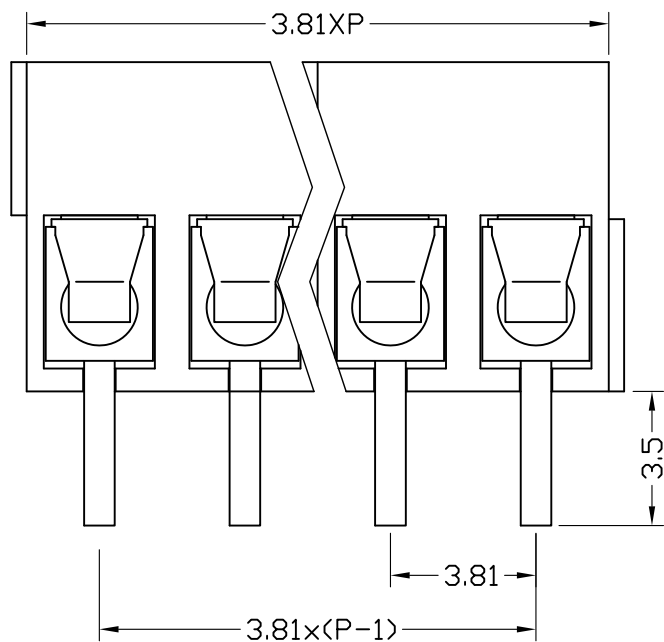


序号/RevNo.	名称/Title	文件编号/File No.
1	XY350一字螺丝 共用XY302一字螺丝	QJ/XYT-2130101
2	XY350簧片	QJ/XYT-2130102
3	XY350V端子	QJ/XYT-2130103
4	XY340塑件	QJ/XYT-2129101



300V 7A 24-18AWG 1.0mm²
Poles: 2P, 3P-24P
Pitch: 3.81mm(.150")

Materials

Housing: PA66(UL 94V-0)

Wire Protector: Stainless steel

Solder Pin: Brass, Tin Plated

Screw: M2, Steel (A3), Zinc Plated

Torque: 0.2N.m

设计/Designed by	绘图/Drawing by	审核/Checked by	批准/Approved by	未注公差 General Tolerance			
 新莱亚电子 XINLAIYA ELECTRONIC CO., LTD				x.	±0.2	x."	±2°
				.x	±0.1	.x°	±1°
				.xx	±0.05	.xx°	±0.5°
				.xxx	±0.01		
图名/Title		文件编号/File No.		单位/Units: mm			
XY340V 产品图		QJ/XYT-2229100					
备注/Remark		页序/Sheet					