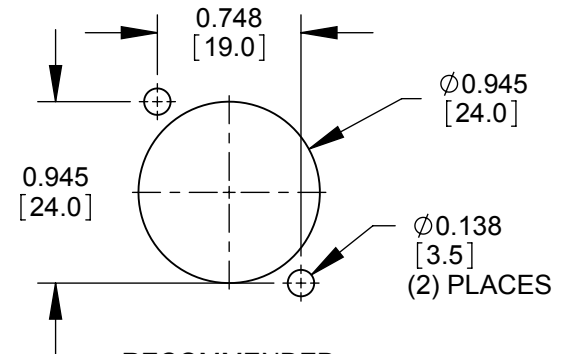
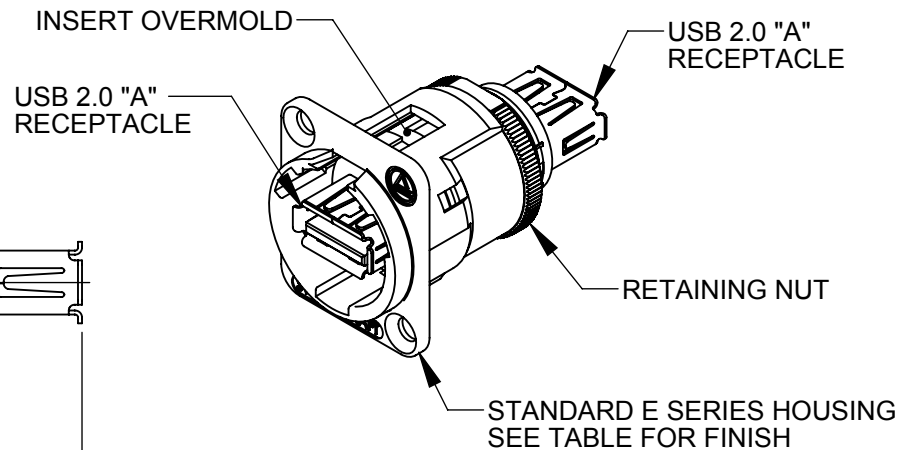
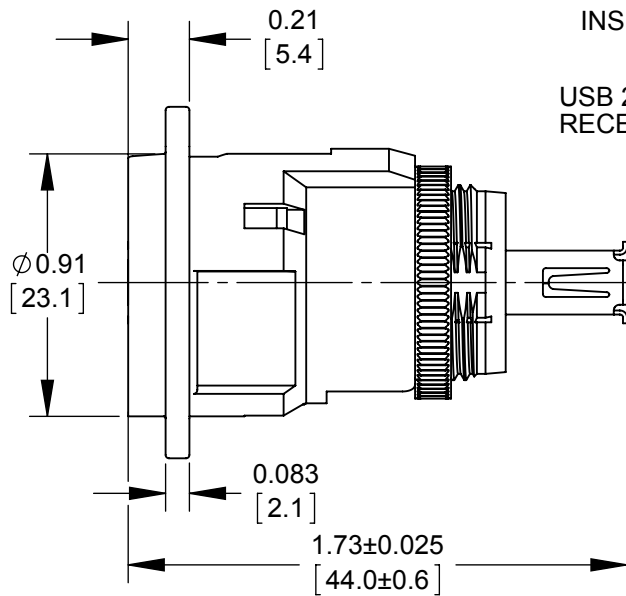


$\varnothing 0.138$ THRU [3.5]
 $\surd \varnothing 0.230 \times 82^\circ$
 (2) PLACES



NOTES:

- MATERIALS:**
 INSERT OVERMOLD - THERMOPLASTIC, BLACK
 RETAINING NUT - BRASS, NICKEL PLATED
 HOUSING - ZINC ALLOY
- THIS PRODUCT IS RoHS COMPLIANT.

PART NUMBER	HOUSING FINISH
EHUSBAAX	NICKEL
EHUSBAABX	BLACK CHROME

CUSTOMER DRAWING

					THIS DRAWING DESCRIBES A DESIGN CONSIDERED PROPRIETARY IN NATURE, DEVELOPED AND MANUFACTURED BY SWITCHCRAFT INC. AND IS RELEASED ON A CONFIDENTIAL BASIS FOR IDENTIFICATION PURPOSES ONLY.								
UNLESS OTHERWISE SPECIFIED 1. ALL DIMENSIONS IN INCHES [mm] - TWO PLACE DECIMALS ± 0.02 [0.5] - THREE PLACE DECIMALS ± 0.005 [0.13]					SIZE *	WIDTH *	MULT *	LBS/M *	TEMPER *				
					FINISH *				MATERIAL *				
					SPEC No. *				SPEC No. *				
					FIRST USED ON *		SCALE 1.5:1						
0A	PRELIMINARY	9/02/15	JGK	*	DATE DRAWN	BY	CHKD	APVD					
REV	ECO NUMBER	DATE	BY	APVD	9/02/15	JGK	*	*					
REVISIONS					DO NOT SCALE DRAWING								
					NAME E SERIES CONNECTOR, USB A FEMALE TO A FEMALE, RoHS				PART No. EHUSBAA_X SERIES	REV 0A			



Mouser Electronics

Authorized Distributor

Click to View Pricing, Inventory, Delivery & Lifecycle Information:

[Switchcraft:](#)

[EHUSBAABX](#) [EHUSBAAX](#)