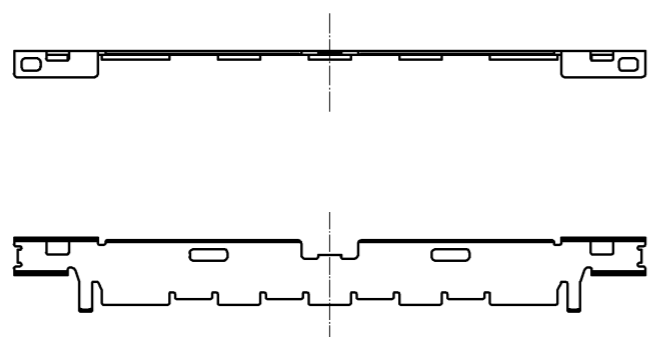
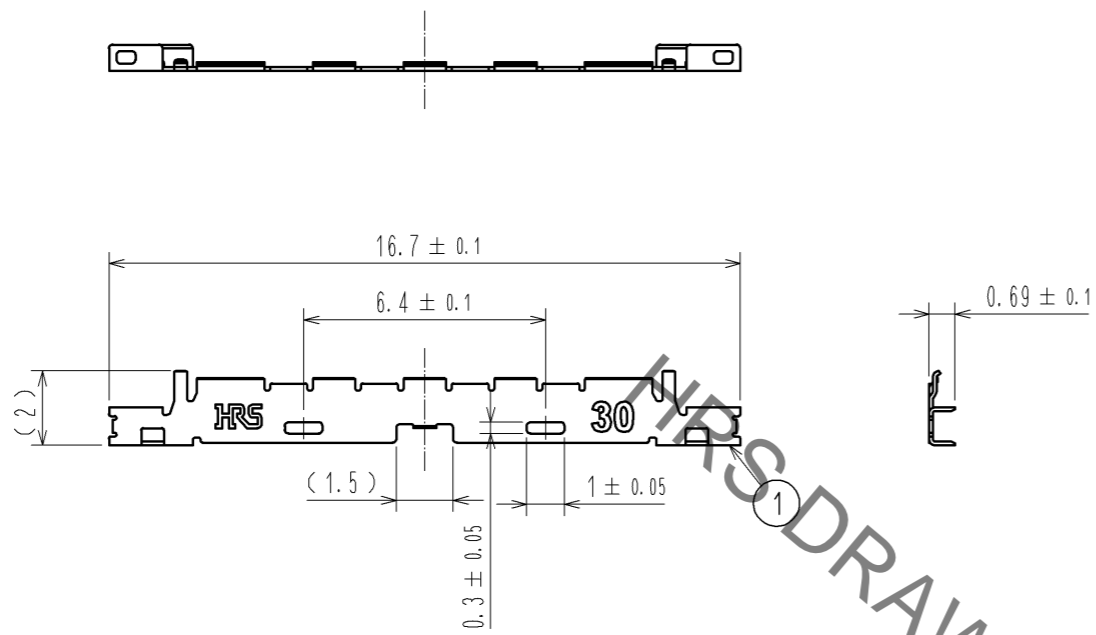
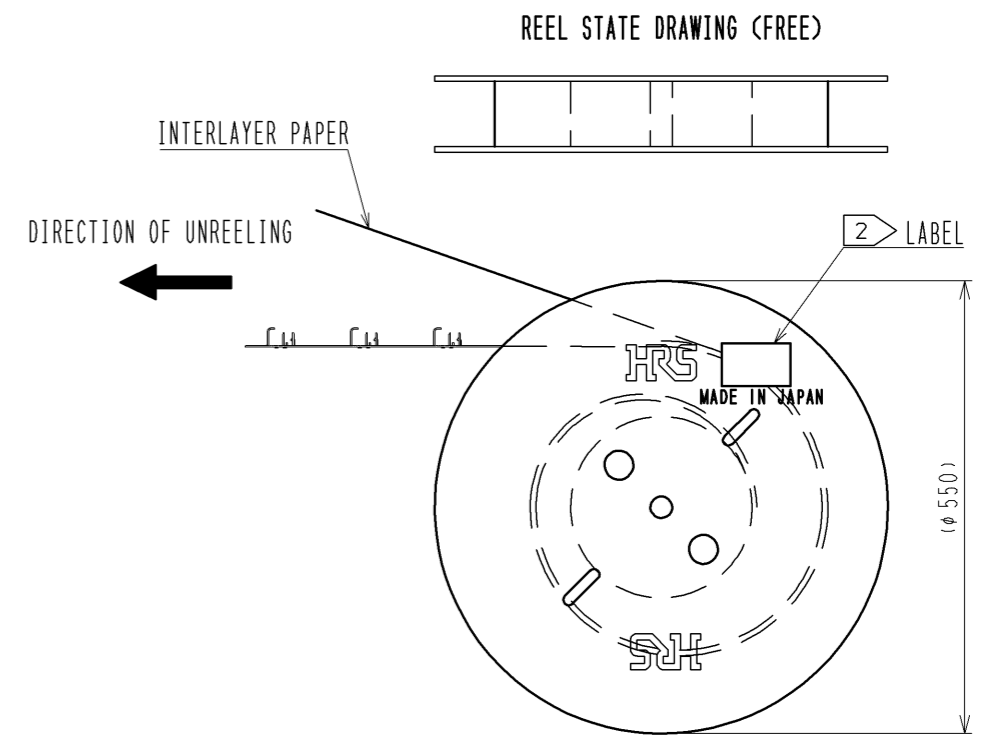
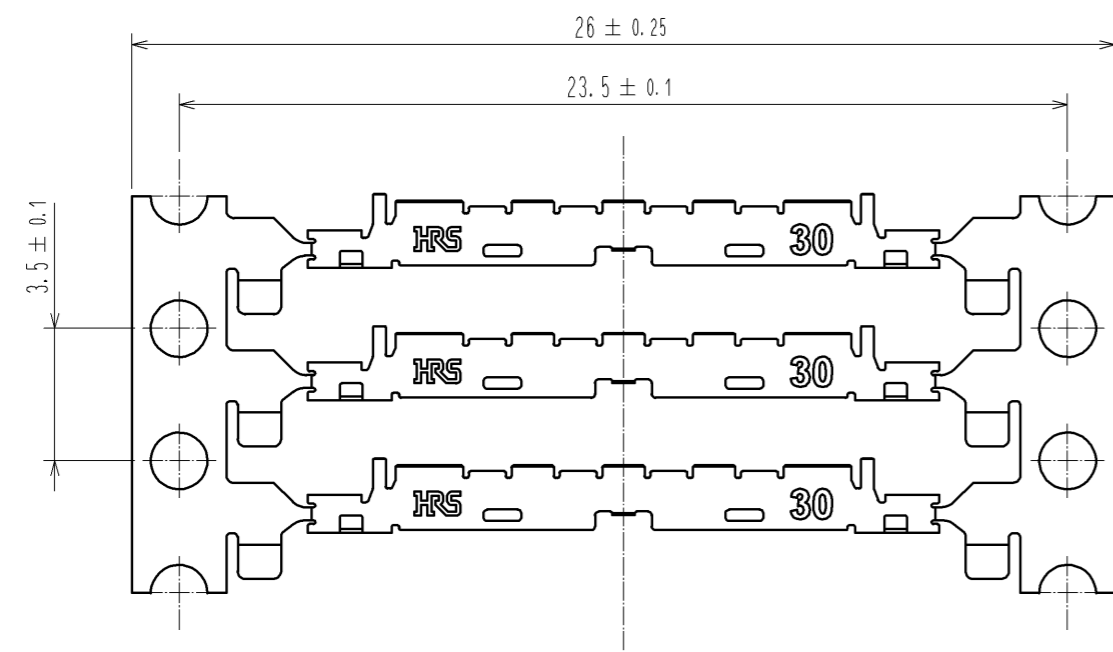


Aug.1.2020 Copyright 2020 HIROSE ELECTRIC CO., LTD. All Rights Reserved.  
In case of consideration for using Automotive equipment / device which demand high reliability, kindly contact our sales window correspondents.



CAREER STATE DRAWING



NOTES

- 1. PER REEL:10000 COMPONENTS
- 2 THE DETAILS OF THE LABEL ARE SHOWN BELOW.
- 3 THE ASSEMBLY IS COMPLETED BY COMBINING THREE PARTS 'CONNECTOR UNIT, METAL SHIELDING' AND 'LATCH'. REFER TO THE TABLE FOR EACH ITEM No. PART NAME, PART No AND CODE No.
- 4. DIMENSIONS IN PARENTHESES ARE FOR REFERENCE.

2 LABEL DETAILS (EXAMPLE)

<b>HRS</b>		INSPECTION 検査
CODE No. 品名コード	CL662-8106-0-00	
PART NO. 品名	DF81-30P-SHL	
QTY 数量	10,000 PCS	
PECULIAR 仕様		
Lot No 継ぎ目		

3

ITEM No.	PART NAME	PART No.	CODE No.
-	CONNECTOR UNIT	DF81D-30P-0.4SD(51)	CL662-8119-2-51
1	METAL SHIELDING	DF81-30P-SHL	CL662-8106-0-00
	LATCH	DF81-30P-LCH	CL662-8107-3-00

NO.		MATERIAL		FINISH . REMARKS		1	SUS	CONTACT AREA :Au PLATING 0.05μm MIN. SOLDERING AREA : Au PLATING 0.05μm MIN. UNDER PLATING :Ni PLATING 0.2μm MIN.	
UNITS mm	⊕	SCALE 5 : 1	COUNT 1	DESCRIPTION OF REVISIONS DIS-D-002958		DESIGNED AH.MIYAZAKI	CHECKED TS.SAKATA	DATE 13.07.03	
<b>HRS</b> HIROSE ELECTRIC CO., LTD.		APPROVED : TS.SAKATA	12.11.09	DRAWING NO. EDC3-340820-01					
		CHECED : HS.OZAWA	12.11.08	PART NO. DF81-30P-SHL					
		DESIGNED : TP.MATSUMOTO	12.11.06	CODE NO. CL662-8106-0-00					
		DRAWN : TP.MATSUMOTO	12.11.06						

# Mouser Electronics

Authorized Distributor

Click to View Pricing, Inventory, Delivery & Lifecycle Information:

[Hirose Electric:](#)

[DF81-30P-SHL](#)