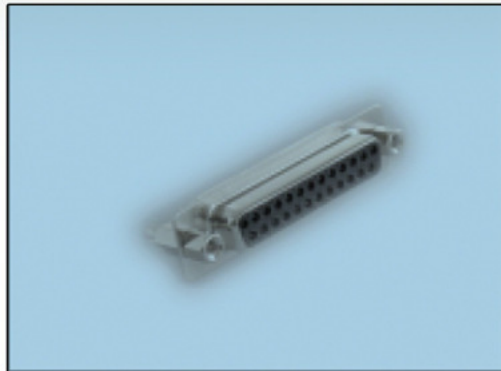
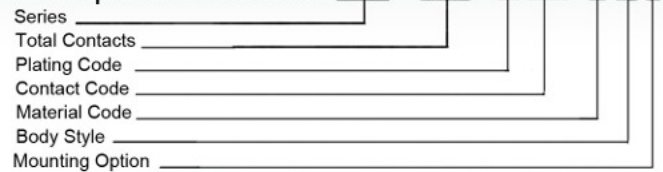




SERIES 627/628



Example Part Number 627 - 025 - 2 20 - 0 4 7



FEATURES

- Both Low and High Profiles Available
- .109 (2.77) contact spacing x .122 (2.82) row spacing
- Plug and Receptacle in 9-, 15-, 25-, 37- and 50-pin Contact Sizes
- Pin and Socket Contact Mating Design with PC Tail Termination
- Metal Shell Provides EMI/RFI Shielding. Plug Shell Indents Provide Grounding and Additional Mating Retention
- Grounding Features Include two-prong boardlock for Exceptional Retention to PC Board
- Mounting options for panel mount or connector mating include through hole, threaded inserts and threaded standoffs
- D-shaped connector mating outline provides polarization
- Design based on requirements of MIL-C-24308, EIA RS-232 and RS-449

SPECIFICATIONS

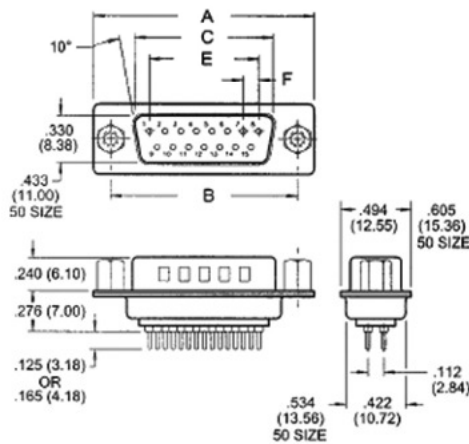
- Insulator Material: Thermoplastic polyester UL 94V-0; chemical resistant; colour - black
- Ferrite Specifications: Attenuation - 20db MIN @ 30Mhz, 30dB MIN @ 50MHz, and 50dB @ 100Mhz
- Contact Material: Plug contacts- brass
Receptacle contacts - phosphor bronze
- Contact Plating: Gold (see Ordering Code) over nickel for the mating area; tin plating on contact tails
- Shell Material: Nickel-plated steel
- Current Rating: 5 amperes
- Contact Resistance: 10 milliohms maximum
- Dielectric Withstanding Voltage: 1000 V AC rms @ sea level
- Insulation Resistance: 5000 megohm minimum
- Operating Temperature: -55 to + 105 degrees C
- Engagement and Separation Force: 1 to 10 oz (0.28 to 2.78 N) per contact position

Series	
627	Plug
628	Receptacle
Total Contacts	
009, 015, 025, 037, 050	
Plating Code	
2	Gold Flash (Class 3)
3	15u" (0.38um) (Class 2)
6	30u" (0.76um) (Class 1)
Contact Code	
Description	
20	PC tail .125 (3.18)
21	PC tail .165 (4.18)
22	Solder Cup Termination
28	Ferrite Filter
Material Code	
0	Indicates Generic Internal Use Code
Body Style	
4	Metal Covered .276 (7.00) low profile
5	Metal Covered .472 (12.00) high profile
6	Metal Covered Machined Contacts Low Profile
Mounting Option	
1	.125" (3.18mm) dia. through-hole
2	#4-40 UNC threaded inserts
3	#4-40 UNC threaded standoffs
6	#4-40 threaded insert with boardlocks
7	#4-40 UNC threaded standoff with boardlocks
8	#4-40 UNC threaded fixed standoffs

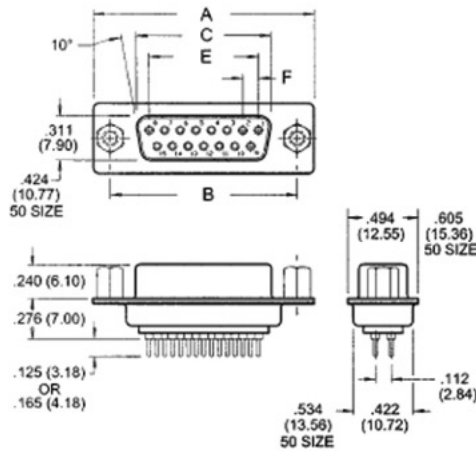
LOW PROFILE

PLUG 627 SERIES

HIGH PROFILE



RECEPTACLE 628 SERIES



NUMBER OF CONTACTS	A		B		C PLUG		C RECEPTACLE		E		F	
	Inch	(mm)	Inch	(mm)	Inch	(mm)	Inch	(mm)	Inch	(mm)	Inch	(mm)
9	1.214	(30.84)	.984	(24.99)	.667	(16.92)	.640	(16.26)	.432	(10.97)	.108	(2.74)
15	1.545	(39.24)	1.312	(33.32)	.994	(25.25)	.967	(24.56)	.756	(19.20)	.108	(2.74)
25	2.088	(53.04)	1.852	(47.04)	1.534	(38.96)	1.508	(38.30)	1.304	(33.12)	.109	(2.76)
37	2.730	(69.34)	2.500	(63.50)	2.182	(53.08)	2.156	(54.76)	1.956	(49.68)	.109	(2.76)
50	2.640	(67.05)	2.406	(61.11)	2.080	(52.83)	2.054	(52.17)	1.740	(44.20)	.109	(2.76)